

COMPUTER CORRESPONDENCE NETWORK CONNECTORS





COMPUTER CORRESPONDENCE NETWORK CONNECTORS



NINGBO XINYA M&E CO.,LTD, founded in 1992, covering an area of 30,000m² which includes 18,000m² of building, with a staff of about 800, is a large scaled company specializing in computer peripherals. The company has about 200 types of products, including over 1,000 specifications, the mainly products are networking cable, electronic cable, computer cable, connector, terminal block, etc. All the products are dispatched to America, Europe, Middle East and other countries & areas, for their high quality and low price, the products are highly approved by the customers.

With the advantages of high technology, advanced equipments and excellent management, the company has got the ISO9001 Certificate and most of products have got the VDE and CE Approval. Now the company has imported a whole

set of advanced manufacturing equipments and inspection machines which do very strict inspections to the raw materials and products.

In addition, the company has the advantage of the location and transportation, only 300 Kilometers from the famous harbor-Shanghai Harbor, 50 Kilometers from Ningbo Harbor.

Adhering to the principle of pragmatism, dedication, innovation, and cooperation, we cordially welcome negotiation and cooperation in all forms. High-quality, advanced-technology, low price products can be supplied here.

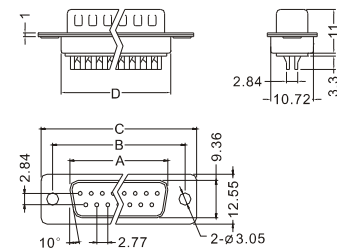


100 series

D-SUB SOLDER TYPE

| Position | A | B | C | D | E |
|----------|-------|-------|-------|-------|-------|
| 9 | 16.92 | 24.99 | 30.81 | 19.36 | 16.33 |
| 15 | 25.25 | 33.32 | 39.14 | 27.64 | 24.66 |
| 25 | 38.96 | 47.04 | 53.04 | 41.08 | 38.38 |
| 37 | 55.42 | 63.50 | 69.32 | 57.38 | 54.84 |
| 50 | 54.24 | 61.11 | 67.10 | 55.16 | 52.46 |

[MALE]



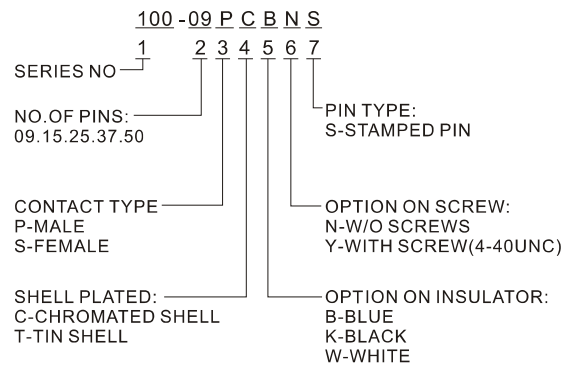
Specifications:

Contact Resistance: 30mΩ max.at DC 100 mA
 Insulator Resistance: 1000MΩ min.at DC 500V
 Current Rating: 5AMP

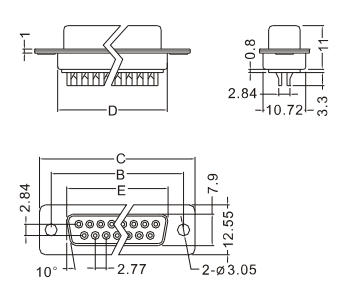
Dielectric Withstanding

Voltage: AC 1000V For 1 minute
 Operating Temperature: -55° C--+105° C
 Contact: Brass or Phosphor Bronze
 Housing: PBT &30% Glass Fiber(UL 94V-0)

How To Order



[FEMALE]

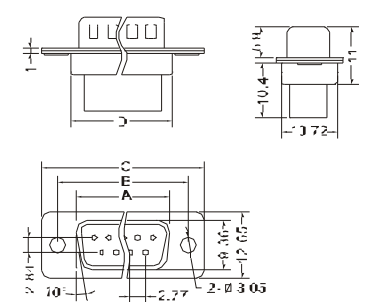


102 series

D-SUB CRIMP TYPE

| Position | A | B | C | D | E |
|----------|-------|-------|-------|-------|-------|
| 9 | 17.78 | 24.99 | 31.04 | 19.28 | 16.33 |
| 15 | 26.15 | 33.32 | 39.24 | 27.64 | 24.66 |
| 25 | 39.94 | 47.04 | 53.04 | 41.08 | 38.38 |

[MALE]



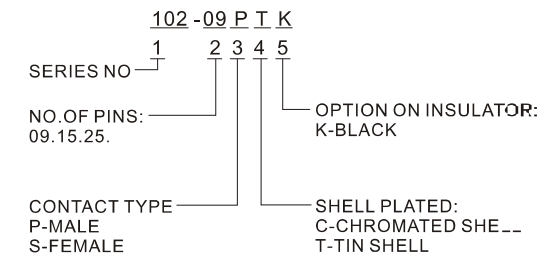
Specifications:

Contact Resistance: 30mΩ max.at DC 100 mA
 Insulator Resistance: 1000MΩ min.at DC 500V
 Current Rating: 5AMP

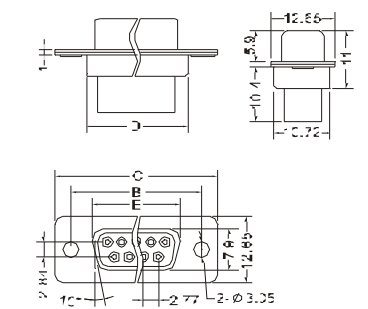
Dielectric Withstanding

Voltage: AC 1000V For 1 minute
 Operating Temperature: -55° C--+105° C
 Contact: Brass or Phosphor Bronze
 Housing: PBT &30% Glass Fiber(UL 94V-0)

How To Order



[FEMALE]

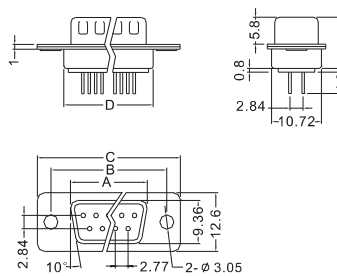


101 series

D-SUB DIP STRAIGHT TYPE

| Position | A | B | C | D | E |
|----------|-------|-------|-------|-------|-------|
| 9 | 17.78 | 24.99 | 31.04 | 19.36 | 16.33 |
| 15 | 26.15 | 33.32 | 39.24 | 27.64 | 24.66 |
| 25 | 39.94 | 47.04 | 53.04 | 41.08 | 38.38 |
| 37 | 56.56 | 63.50 | 69.62 | 57.38 | 54.84 |

[MALE]



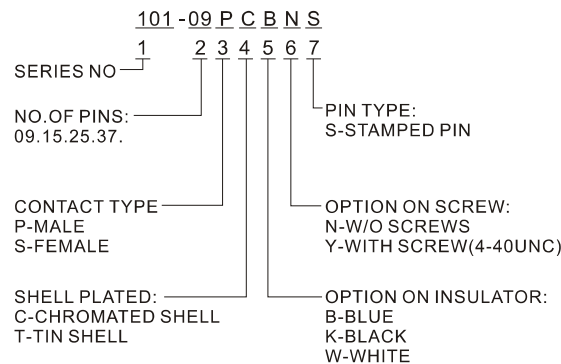
Specifications:

Contact Resistance: 30mΩ max.at DC 100 mA
 Insulator Resistance: 1000MΩ min.at DC 500V
 Current Rating: 5AMP

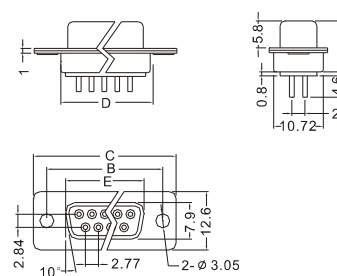
Dielectric Withstanding

Voltage: AC 1000V For 1 minute
 Operating Temperature: -55° C--+105° C
 Contact: Brass or Phosphor Bronze
 Housing: PBT &30% Glass Fiber(UL 94V-0)

How To Order



[FEMALE]

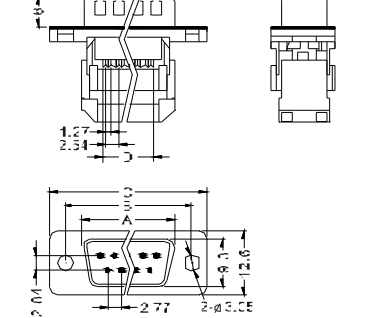


103-A series

D-SUB I.D.C. TYPE

| Position | A | B | C | D | E |
|----------|-------|-------|-------|-------|-------|
| 9 | 17.78 | 24.99 | 31.04 | 19.36 | 16.33 |
| 15 | 26.15 | 33.32 | 39.24 | 27.64 | 24.66 |
| 25 | 39.94 | 47.04 | 53.04 | 41.08 | 38.38 |
| 37 | 56.56 | 63.50 | 69.62 | 57.38 | 54.84 |

[MALE]



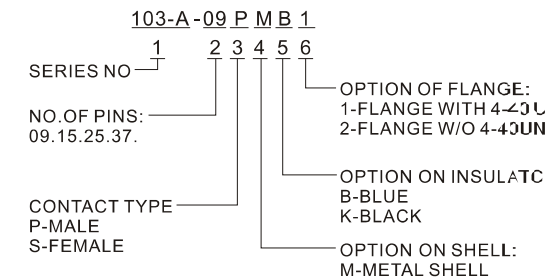
Specifications:

Contact Resistance: 30mΩ max.at DC 100 mA
 Insulator Resistance: 1000MΩ min.at DC 500V
 Current Rating: 1AMP

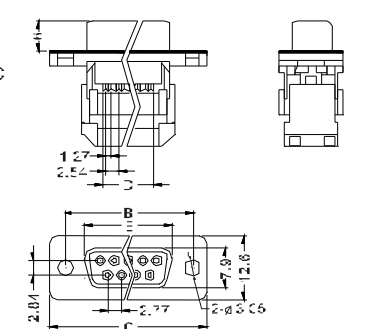
Dielectric Withstanding

Voltage: AC 500V For 1 minute
 Operating Temperature: -55° C--+105° C
 Contact: Male Brass
 Female Phosphor Bronze
 Housing: PBT &30% Glass Fiber(UL 94V-0)

How To Order



[FEMALE]



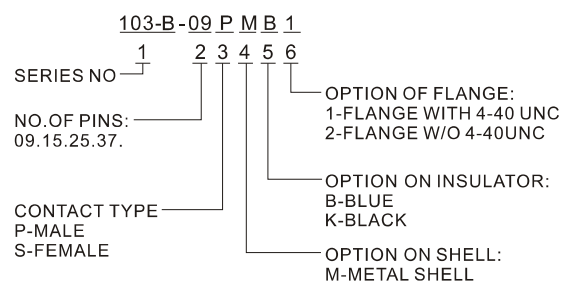


103-B series

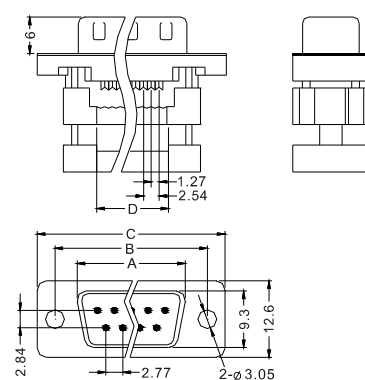
D-SUB I.D.C. TYPE

| Position | A | B | C | D | E |
|----------|-------|-------|-------|-------|-------|
| 9 | 17.78 | 24.99 | 31.04 | 19.36 | 16.33 |
| 15 | 26.15 | 33.32 | 39.24 | 27.64 | 24.66 |
| 25 | 39.94 | 47.04 | 53.04 | 41.08 | 38.38 |
| 37 | 56.56 | 63.50 | 69.62 | 57.38 | 54.84 |

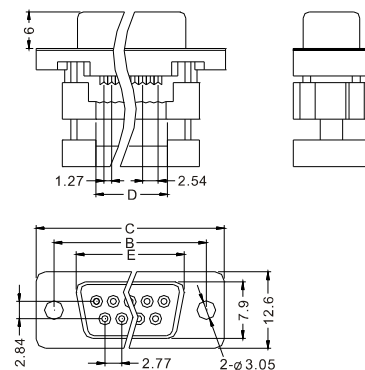
How To Order



[MALE]



[FEMALE]



Specifications:

Contact Resistance: 30mΩ max.at DC 100 mA
 Insulator Resistance: 1000MΩ min.at DC 500V
 Current Rating: 1AMP

Dielectric Withstanding

Voltage: AC 500V For 1 minute
 Operating Temperature: -55° C--+105° C
 Contact: Male Brass
 Female Phosphor Bronze
 Housing: PBT &30% Glass Fiber(UL 94V-0)

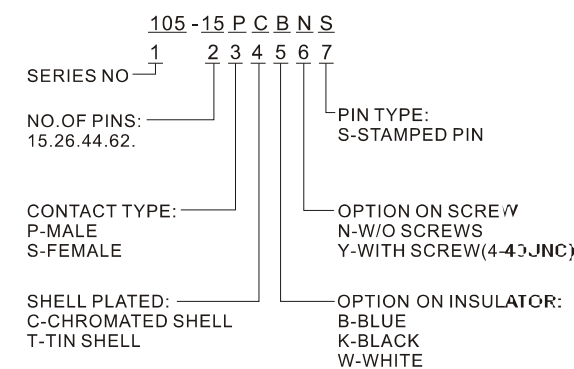


105 series

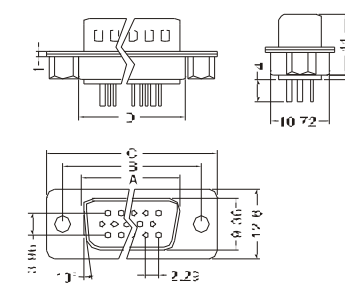
D-SUB H.D. DIP STRAIGHT TYPE

| Position | A | B | C | D | E | F |
|----------|------|------|------|-------|------|-------|
| 15 | 30.9 | 17.7 | 2.29 | 24.99 | 19.3 | 16.33 |
| 26 | 39.1 | 25.3 | 2.29 | 33.32 | 27.5 | 24.7 |
| 44 | 53.0 | 39.0 | 2.29 | 47.04 | 41.3 | 38.4 |
| 62 | 69.3 | 55.4 | 2.41 | 63.50 | 57.7 | 54.8 |

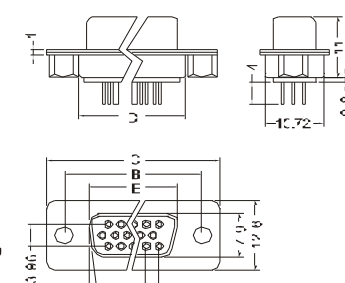
How To Order



[MALE]



[FEMALE]



Specifications:

Contact Resistance: 30mΩ max.at DC 100 mA
 Insulator Resistance: 1000MΩ min.at DC 500V
 Current Rating: 3AMP

Dielectric Withstanding

Voltage: AC 1000V For 1 minute
 Operating Temperature: -55° C--+105° C
 Contact: Brass or Phosphor Bronze
 Housing: PBT &30% Glass Fiber(UL 94V-0)

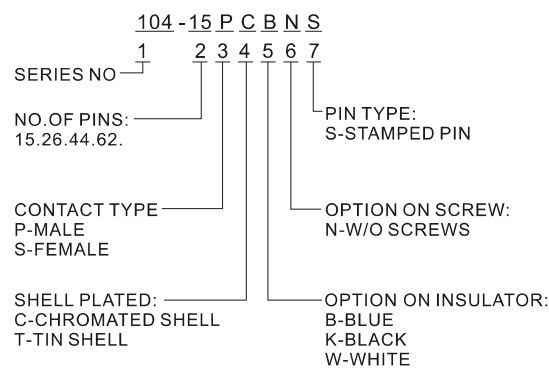


104 series

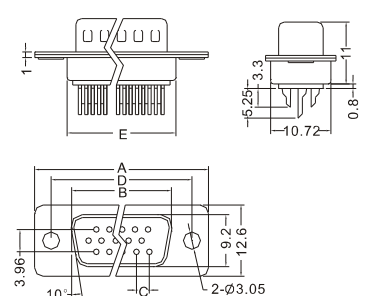
D-SUB H.D. SOLDER TYPE

| Position | A | B | C | D | E | F |
|----------|------|------|------|-------|------|-------|
| 15 | 30.9 | 17.7 | 2.29 | 24.99 | 19.3 | 16.33 |
| 26 | 39.1 | 25.3 | 2.29 | 33.32 | 27.5 | 24.7 |
| 44 | 53.0 | 39.0 | 2.29 | 47.04 | 41.3 | 38.4 |
| 62 | 69.3 | 55.4 | 2.41 | 63.50 | 57.7 | 54.8 |

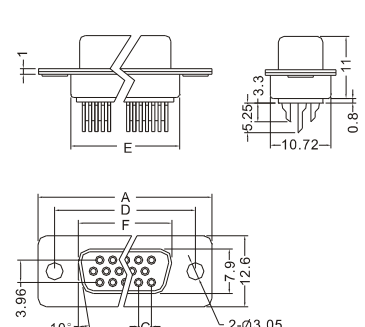
How To Order



[MALE]



[FEMALE]



Specifications:

Contact Resistance: 30mΩ max.at DC 100 mA
 Insulator Resistance: 1000MΩ min.at DC 500V
 Current Rating: 3AMP

Dielectric Withstanding

Voltage: AC 1000V For 1 minute
 Operating Temperature: -55° C--+105° C
 Contact: Brass or Phosphor Bronze
 Housing: PBT &30% Glass Fiber(UL 94V-0)



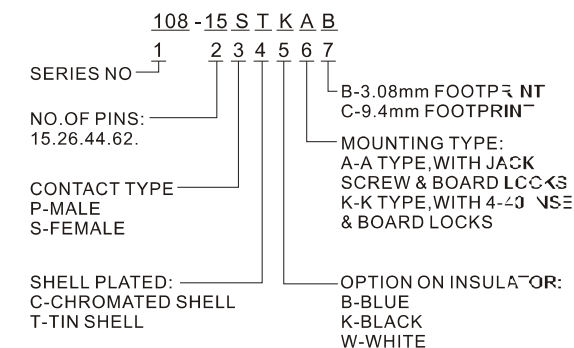
108 series

D-SUB H.D. RIGHT ANGLE TYPE (3.08mm 9.4mm)

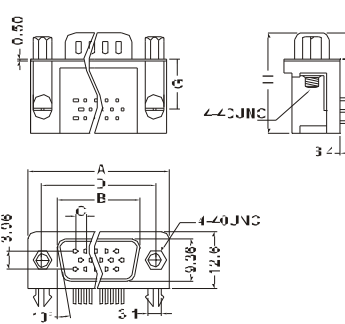
| Position | A | B | C | D | E |
|----------|-------|-------|------|-------|-------|
| 15 | 31.04 | 17.78 | 2.29 | 24.99 | 16.33 |
| 26 | 39.24 | 26.15 | 2.29 | 33.32 | 24.66 |
| 44 | 53.04 | 39.94 | 2.29 | 47.04 | 38.38 |
| 62 | 69.62 | 56.56 | 2.41 | 63.50 | 54.84 |

| | F | G | H |
|---|------|-------|-------|
| B | 3.08 | 5.08 | 14.45 |
| C | 9.4 | 10.89 | 22.2 |

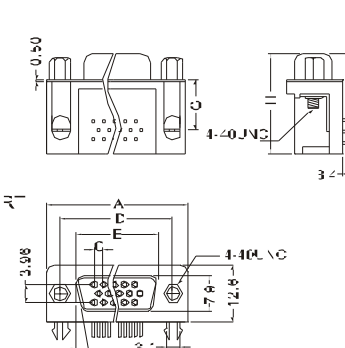
How To Order



[MALE]



[FEMALE]

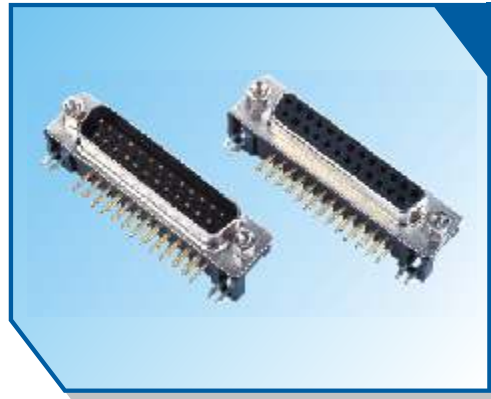


Specifications:

Contact Resistance: 30mΩ max.at DC 100 mA
 Insulator Resistance: 1000MΩ min.at DC 500V
 Current Rating: 3AMP

Dielectric Withstanding

Voltage: AC 1000V For 1 minute
 Operating Temperature: -55° C--+105° C
 Contact: Brass or Phosphor Bronze
 Housing: PBT &30% Glass Fiber(UL 94V-0)



107 series

D-SUB RIGHT ANGLE TYPE(7.2mm 9.4mm 13.84mm)

| Position | A | B | C | D | E | F | G |
|----------|-------|-------|-------|-------|-------|-------|-------|
| 9 | 17.78 | 24.99 | 31.04 | 16.33 | 7.2 | 18.4 | 9.62 |
| 15 | 26.15 | 33.32 | 39.24 | 24.66 | 9.4 | 20.64 | 12.06 |
| 25 | 39.94 | 47.04 | 53.04 | 38.66 | 13.84 | 25.3 | 16.5 |
| 37 | 56.56 | 63.50 | 69.62 | 54.84 | | | |

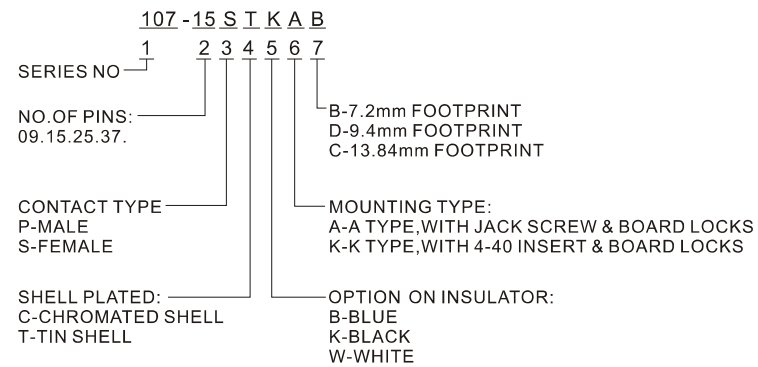
Specifications:

Contact Resistance: 30mΩ max.at DC 100 mA
 Insulator Resistance: 1000MΩ min.at DC 500V
 Current Rating: 5AMP

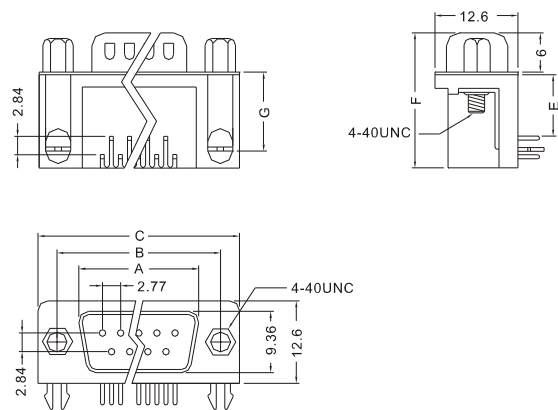
Dielectric Withstanding

Voltage: AC 1000V For 1 minute
 Operating Temperature: -55° C--+105° C
 Contact: Brass or Phosphor Bronze
 Housing: PBT &30% Glass Fiber(UL 94V-0)

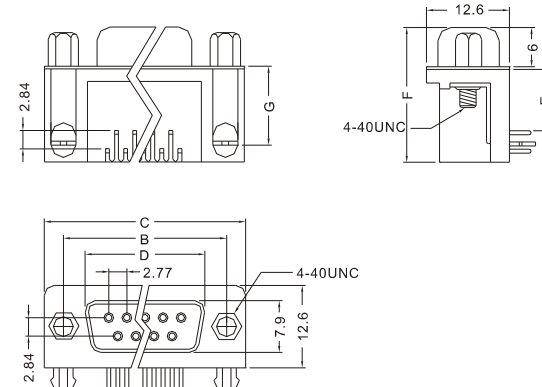
How To Order



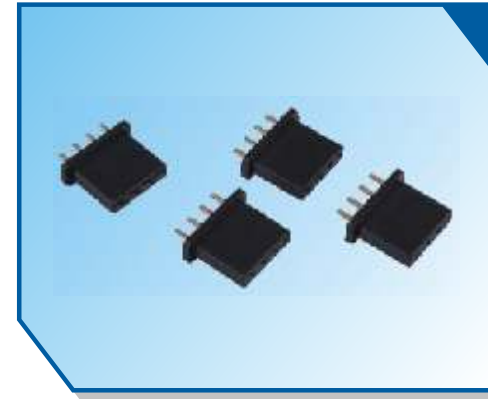
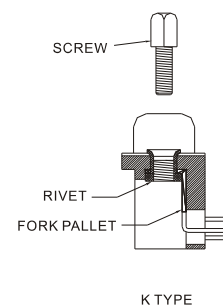
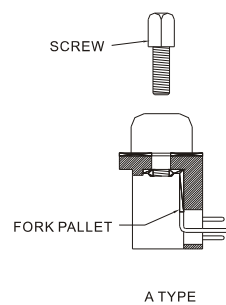
[MALE]



[FEMALE]

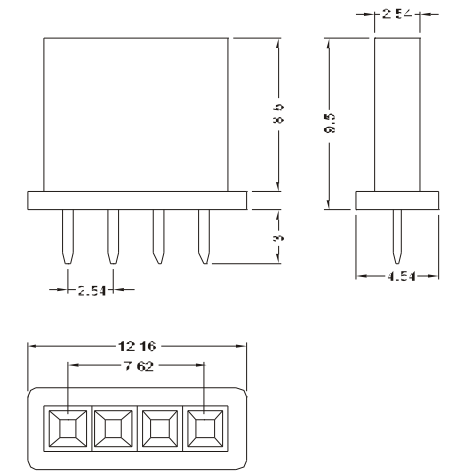


D-SUB CONNECTORS
 RIGHT ANGLE
 MOUNTING OPTIONS



109 series

**FEMALE HEADER 4PIN
 2.54mm(0.100")**



Specifications:

Contact Resistance: 30mΩ max.
 Insulator Resistance: 1000MΩ min.at DC 500V
 Current Rating: 1AMP

Dielectric Withstanding

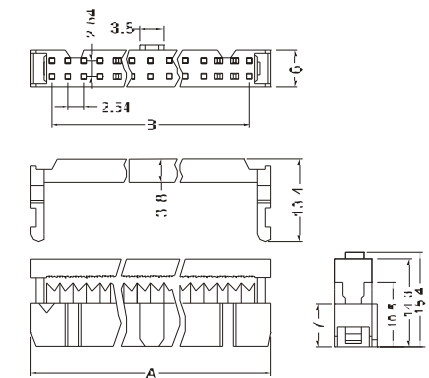
Voltage: AC 500V For 1 minute
 Operating Temperature: -55° C--+105° C
 Contact: Phosphor Bronze
 Housing: PBT&30% Glass Fiber(UL94V-0)



110 series

I.D.C. SOCKET 2.54mm(0.100")

| Position | A | B | Position | A | B |
|----------|-------|-------|----------|-------|-------|
| 8 | 14.73 | 7.62 | 30 | 42.67 | 35.56 |
| 10 | 17.27 | 10.16 | 34 | 47.75 | 40.64 |
| 14 | 22.35 | 15.24 | 40 | 55.37 | 48.26 |
| 16 | 24.89 | 17.78 | 50 | 68.07 | 60.96 |
| 20 | 29.97 | 22.86 | 60 | 80.77 | 73.66 |
| 26 | 37.59 | 30.48 | 64 | 85.85 | 78.74 |



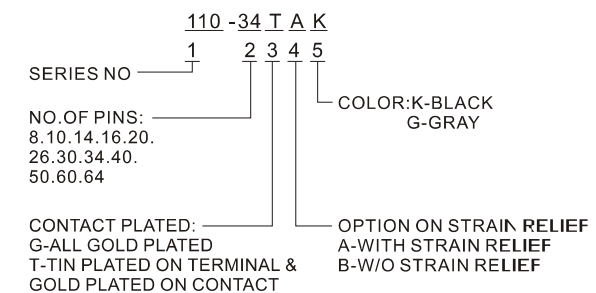
Specifications:

Contact Resistance: 30mΩ max.at DC 100 mA
 Insulator Resistance: 1000MΩ min.at DC 500V
 Current Rating: 1AMP

Dielectric Withstanding

Voltage: AC 500V For 1 minute
 Operating Temperature: -55° C--+105° C
 Contact: Phosphor Bronze
 Housing: PBT &30% Glass Fiber(UL 94V-0)

How To Order

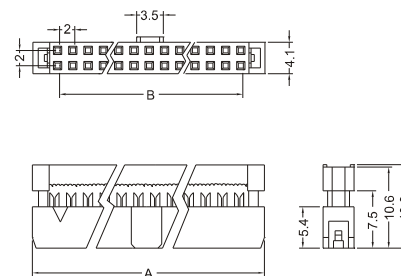




111 series

I.D.C. SOCKET 2.00mm(0.079")

| Position | A | B | Position | A | B |
|----------|------|------|----------|------|------|
| 8 | 13.2 | 6.0 | 30 | 35.2 | 28.0 |
| 10 | 15.2 | 8.0 | 34 | 39.2 | 32.0 |
| 14 | 19.2 | 12.0 | 40 | 45.2 | 38.0 |
| 16 | 21.2 | 14.0 | 44 | 49.2 | 42.0 |
| 20 | 25.2 | 18.0 | 50 | 55.2 | 48.0 |
| 24 | 29.2 | 22.0 | 60 | 65.2 | 58.0 |
| 26 | 31.2 | 24.0 | 64 | 69.2 | 62.0 |



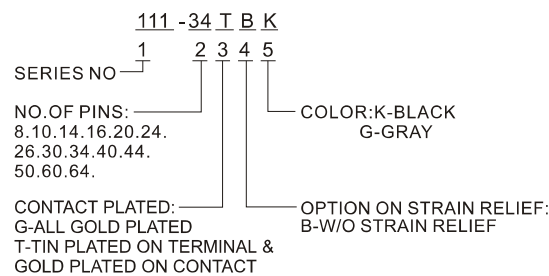
Specifications:

Contact Resistance: 30mΩ max.at DC 100 mA
 Insulator Resistance: 1000MΩ min.at DC 500V
 Current Rating: 1AMP

Dielectric Withstanding

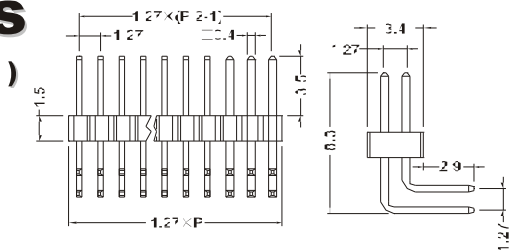
Voltage: AC 500V For 1 minute
 Operating Temperature: -55° C--+105° C
 Contact: Phosphor Bronze
 Housing: PBT &30% Glass Fiber(UL 94V-0)

How To Order



112-B series

PIN HEADER 1.27mm(0.050")



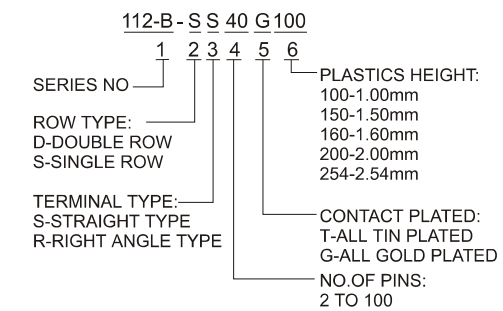
Specifications:

Current Rating: 1AMP
 Contact Resistance: 30mΩ max.at DC 100 mA
 Insulator Resistance: 1000MΩ min.at DC 500V
 Voltage: AC 500V For 1 minute
 Operating Temperature: -55° C--+105° C

Material:

Contact: Phosphor Bronze
 Housing: Nylon-6T&30% Glass Fible (UL94V-0)

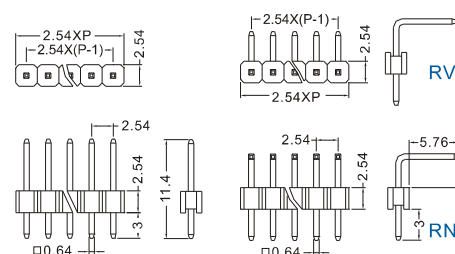
How To Order



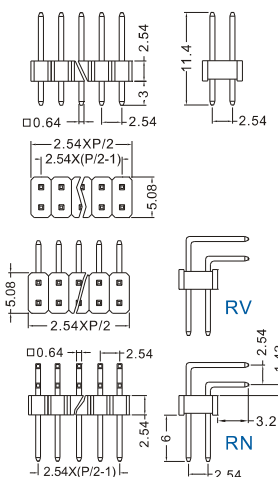
112-A series

PIN HEADER 2.54mm(0.100")

[SINGLE ROW]



[DUAL ROW]



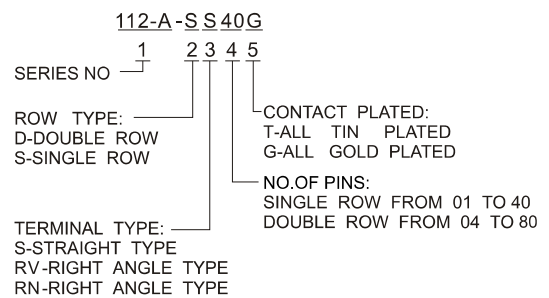
Specifications:

Contact Resistance: 30mΩ max.at DC 100 mA
 Insulator Resistance: 1000MΩ min.at DC 500V
 Current Rating: 1AMP

Dielectric Withstanding

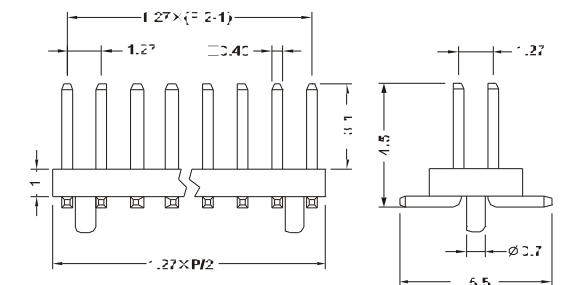
Voltage: AC 500V For 1 minute
 Operating Temperature: -55° C--+105° C
 Contact: Brass
 Housing: PBT &30% Glass Fiber(UL 94V-0)

How To Order



112-C series

PIN HEADER SMT WITH LOCATING PEG 1.27mm(0.050")



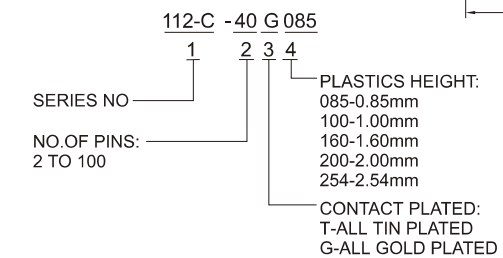
Specifications:

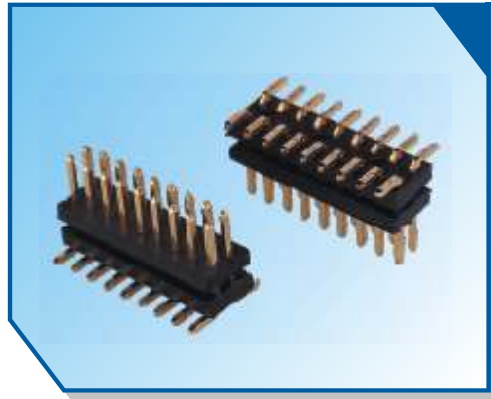
Current Rating: 1AMP
 Contact Resistance: 30mΩ max.at DC 100 mA
 Insulator Resistance: 1000MΩ min.at DC 500V
 Voltage: AC 500V For 1 minute
 Operating Temperature: -55° C--+105° C

Material:

Contact: Phosphor Bronze
 Housing: Nylon-6T&30% Glass Fible (UL94V-0)

How To Order





112-D series

PIN HEADER SMT DOUBLE ROW
TYPE 1.27mm(0.050")

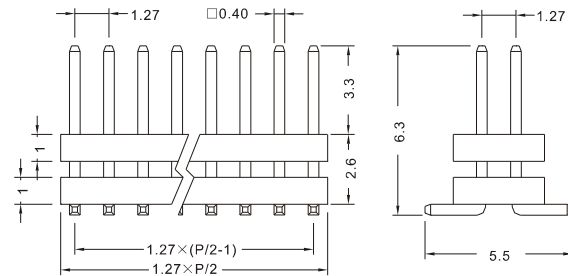
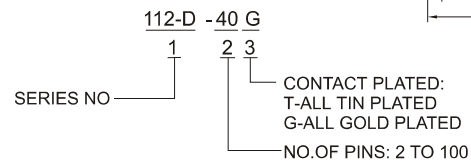
Specifications:

Current Rating: 1AMP
 Contact Resistance: 30mΩ max.at DC 100 mA
 Insulator Resistance: 1000MΩ min.at DC 500V
 Voltage: AC 500V For 1 minute
 Operating Temperature: -55° C--+105° C

Material:

Contact: Phosphor Bronze
 Housing: Nylon-6T&30% Glass Fible (UL94V-0)

How To Order



114-A series

P.C.B SOCKET 2.54mm(0.100")

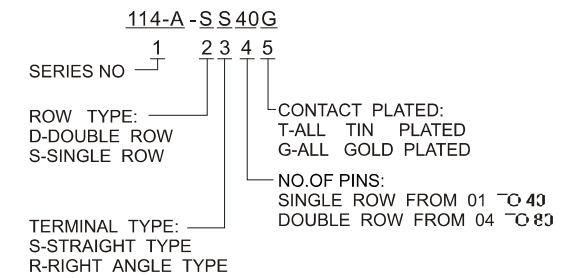
Specifications:

Contact Resistance: 30mΩ max.at DC 100 mA
 Insulator Resistance: 1000MΩ min.at DC 500V
 Current Rating: 1AMP

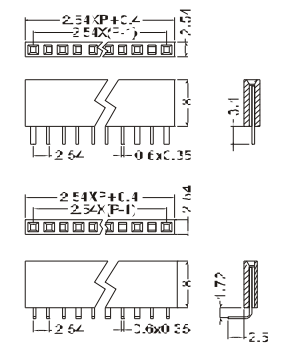
Dielectric Withstanding

Voltage: AC 500V For 1 minute
 Operating Temperature: -55° C--+105° C
 Contact: Phosphor Bronze
 Housing: PBT &30% Glass Fiber(UL 94V-0)

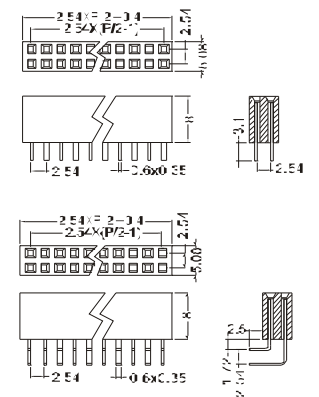
How To Order



[SINGLE ROW]



[DUAL ROW]



113 series

PIN HEADER 2.0mm(0.079")

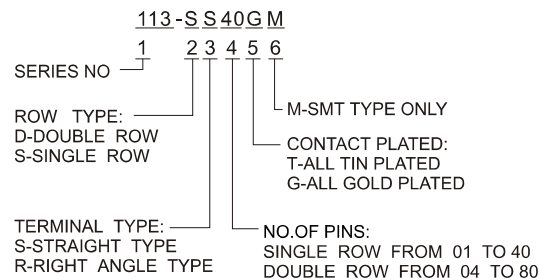
Specifications:

Contact Resistance: 30mΩ max.at DC 100 mA
 Insulator Resistance: 1000MΩ min.at DC 500V
 Current Rating: 1AMP

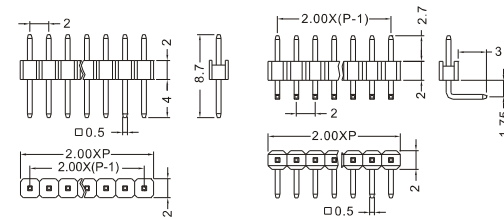
Dielectric Withstanding

Voltage: AC 500V For 1 minute
 Operating Temperature: -55° C--+105° C
 Contact: Phosphor Bronze
 Housing: PBT &30% Glass Fiber(UL 94V-0)

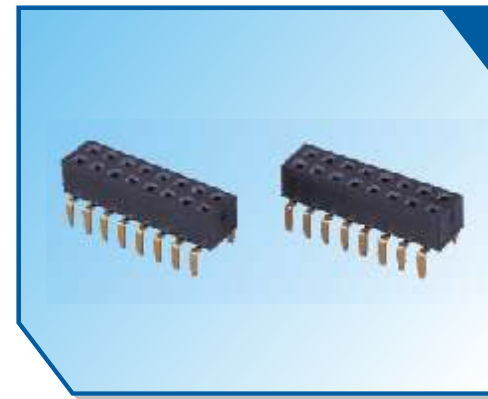
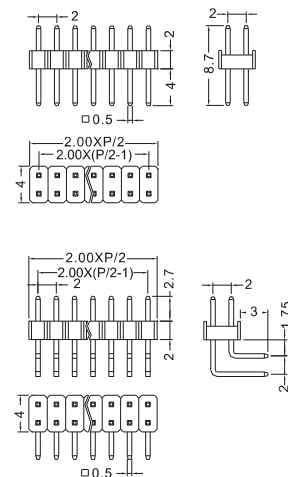
How To Order



[SINGLE ROW]



[DUAL ROW]



114-B series

P.C.B SOCKET BOTTOM ENTRY
TYPE 2.54mm(0.100")

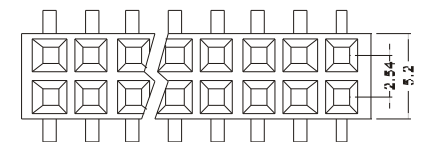
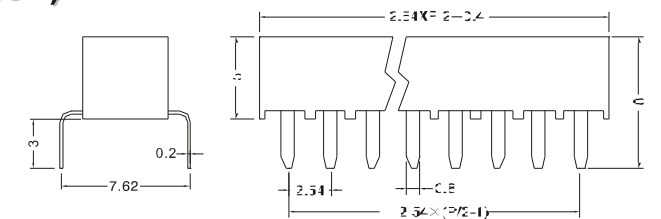
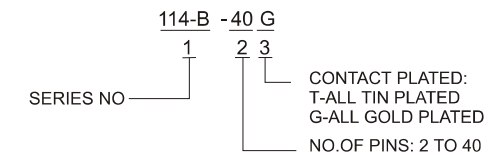
Specifications:

Current Rating: 1AMP
 Contact Resistance: 30mΩ max.at DC 100 mA
 Insulator Resistance: 1000MΩ min.at DC 500V
 Voltage: AC 500V For 1 minute
 Operating Temperature: -55° C--+105° C

Material:

Contact: Phosphor Bronze
 Housing: LCP&30% Glass Fible (UL94V-0)

How To Order

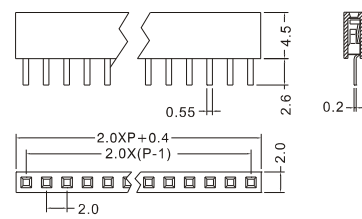




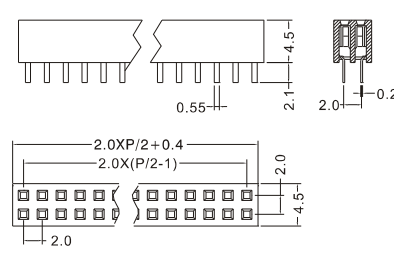
115-A series

P.C.B SOCKET 2.0mm(0.079")

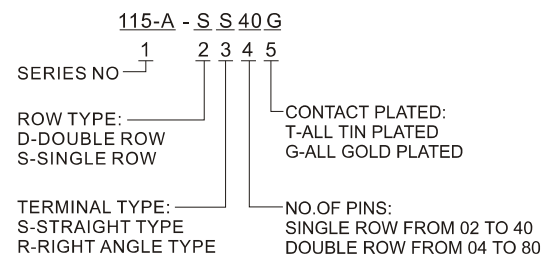
[SINGLE ROW]



[DUAL ROW]



How To Order

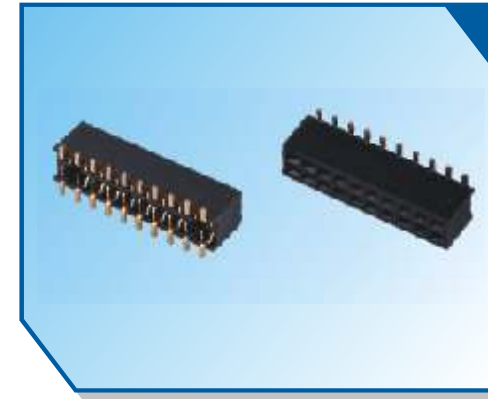


Specifications:

Contact Resistance: 30mΩ max.at DC 100 mA
Insulator Resistance: 1000MΩ min.at DC 500V
Current Rating: 1AMP

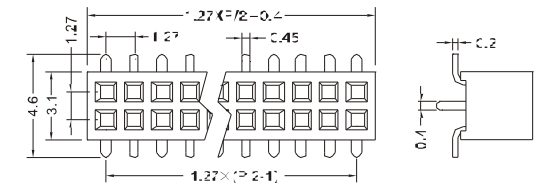
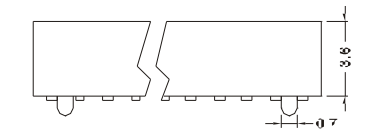
Dielectric Withstanding

Voltage: AC 500V For 1 minute
Operating Temperature: -55° C--+105° C
Contact: Phosphor Bronze
Housing: PBT &30% Glass Fiber(UL 94V-0)

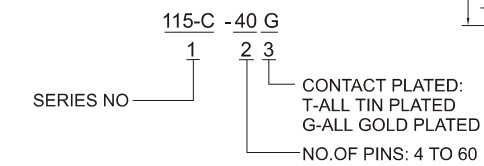


115-C series

P.C.B SOCKET SMT TYPE
1.27mm(0.050")



How To Order

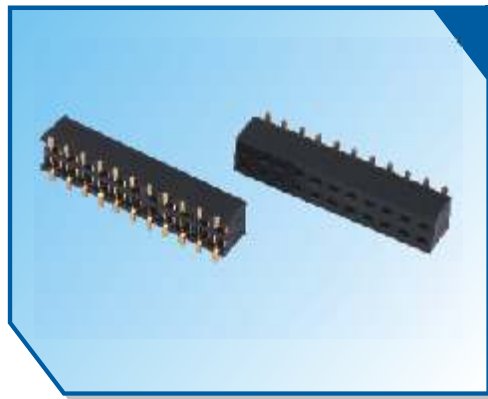


Specifications:

Current Rating: 1AMP
Contact Resistance: 30mΩ max.at DC 100 mA
Insulator Resistance: 1000MΩ min.at DC 500V
Voltage: AC 500V For 1 minute
Operating Temperature: -55° C--+105° C

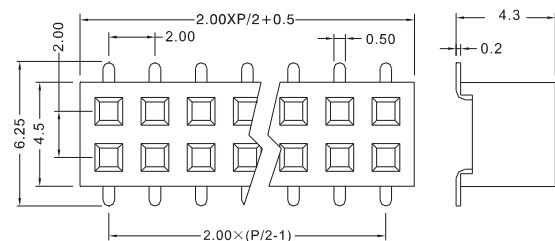
Material:

Contact: Phosphor Bronze
Housing: Nylon-6T&30% Glass Fible (UL94V-0)

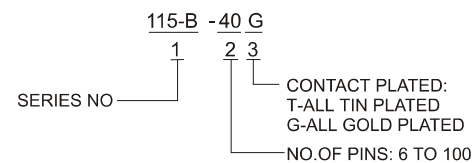


115-B series

P.C.B SOCKET SMT TYPE
2.0mm(0.079")



How To Order



Specifications:

Current Rating: 1AMP
Contact Resistance: 30mΩ max.at DC 100 mA
Insulator Resistance: 1000MΩ min.at DC 500V
Voltage: AC 500V For 1 minute
Operating Temperature: -55° C--+105° C

Material:

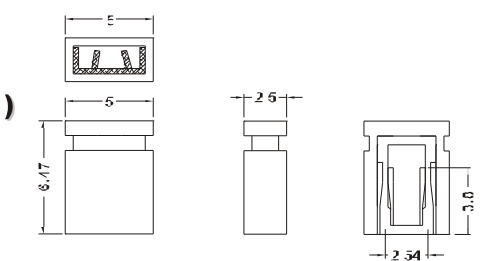
Contact: Phosphor Bronze
Housing: Nylon-6T&30% Glass Fible (UL94V-0)



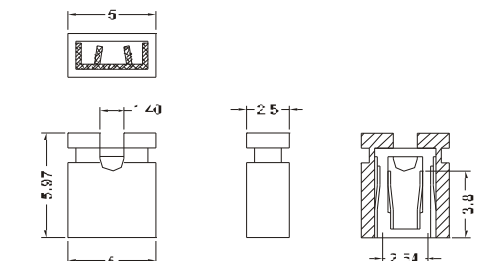
116 series

MINI JUMPER 2.54mm(0.100")

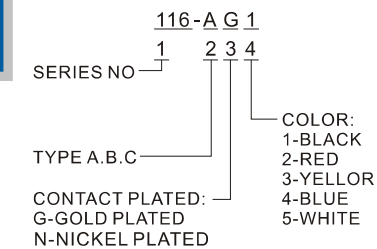
[A TYPE]



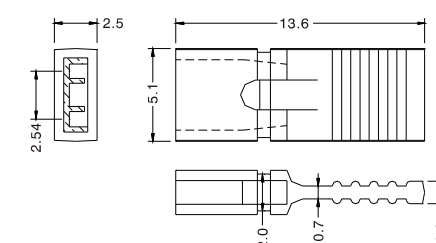
[B TYPE]



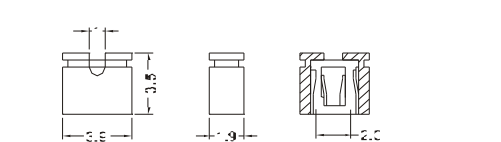
How To Order



[D TYPE]



[C TYPE]



Specifications:

Contact Resistance: 30mΩ max.at DC 100 mA
Insulator Resistance: 1000MΩ min.at DC 500V
Current Rating: 1AMP

Dielectric Withstanding

Voltage: AC 500V For 1 minute
Operating Temperature: -55° C--+105° C
Contact: Phosphor Bronze
Housing: PBT &30% Glass Fiber(UL 94V-0)



[STRAIGHT]

119 series

P.C. BOARD HEADER CONNECTOR WITH LATCHES 2.54mm(0.100")

| Position | A | B | C | D | Position | A | B | C | D |
|----------|-------|-------|-------|-------|----------|--------|-------|-------|-------|
| 10 | 32.00 | 10.16 | 21.84 | 17.96 | 30 | 57.40 | 35.56 | 47.24 | 43.36 |
| 12 | 34.54 | 12.70 | 24.38 | 20.50 | 34 | 62.48 | 40.64 | 52.32 | 48.44 |
| 14 | 37.08 | 15.24 | 26.92 | 23.04 | 40 | 70.10 | 48.26 | 59.94 | 56.60 |
| 16 | 39.62 | 17.78 | 29.46 | 25.58 | 50 | 82.80 | 60.96 | 72.64 | 68.76 |
| 20 | 44.70 | 22.86 | 34.54 | 30.66 | 60 | 95.50 | 73.66 | 85.34 | 81.46 |
| 26 | 52.32 | 30.48 | 42.16 | 38.28 | 64 | 100.58 | 78.74 | 90.42 | 86.54 |

Specifications:
 Contact Resistance: 30mΩ max.at DC 100mA
 Insulator Resistance: 1000MΩ min.at DC 500V
 Current Rating: 1AMP

Dielectric Withstanding
 Voltage: AC 500V For 1 minute
 Operating Temperature: -55° C- +105° C
 Contact: Brass
 Housing: PBT &30% Glass Fiber(UL 94V-0)

How To Order

119 - 10 G S K

SERIES NO: 1
 NO.OF PINS: 2 3 4 5
 COLOR: K-BLACK G-GRAY
 CONTACT PLATED: G-ALL GOLD PLATED T-TIN PLATED ON TERMINAL & GOLD PLATED ON CONTACT
 TERMINAL TYPE: S-STRAIGHT TYPE R-RIGHT ANGLE TYPE

[RIGHT ANGLE]



123 series

DIP PLUG 2.54mm(0.100")

| Position | A | B | Position | A | B |
|----------|-------|-------|----------|-------|-------|
| 10 | 17.80 | 10.16 | 34 | 48.40 | 40.64 |
| 14 | 22.82 | 15.24 | 40 | 55.92 | 48.26 |
| 16 | 25.40 | 17.78 | 50 | 68.72 | 60.96 |
| 20 | 30.52 | 22.86 | 60 | 81.42 | 73.66 |
| 26 | 38.12 | 30.48 | 64 | 86.38 | 78.74 |
| 30 | 43.32 | 35.56 | | | |

Specifications:
 Contact Resistance: 30mΩ max.at DC 100 mA
 Insulator Resistance: 1000MΩ min.at DC 500V
 Current Rating: 1AMP

Dielectric Withstanding
 Voltage: AC 500V For 1 minute
 Operating Temperature: -55° C--+105° C
 Contact: Phosphor Bronze
 Housing: PBT &30% Glass Fiber(UL 94V-0)

How To Order

123 - 34 T K

SERIES NO: 1
 NO.OF PINS: 10.14.16.20.26.30.34.40.50.60.64.
 CONTACT PLATED: G-ALL GOLD PLATED T-TIN PLATED C-WIRE CUTTING NICKEL PLATED & DIP GOLD PLATED
 COLOR: K-BLACK G-GRAY



120 series

FPC CONNECTOR 2.54mm(0.100")

| Position | A | B | Position | A | B |
|----------|-------|-------|----------|-------|--------|
| 8 | 17.78 | 25.26 | 25 | 60.96 | 68.44 |
| 9 | 20.32 | 27.80 | 26 | 63.50 | 70.98 |
| 10 | 22.86 | 30.34 | 27 | 66.04 | 73.52 |
| 11 | 25.40 | 32.88 | 28 | 68.58 | 76.06 |
| 12 | 27.94 | 35.42 | 29 | 71.12 | 78.60 |
| 13 | 30.48 | 37.96 | 30 | 73.66 | 81.14 |
| 14 | 33.02 | 40.50 | 31 | 76.20 | 83.68 |
| 15 | 35.56 | 43.04 | 32 | 78.74 | 86.22 |
| 16 | 38.10 | 45.58 | 33 | 81.28 | 88.76 |
| 17 | 40.64 | 48.12 | 34 | 83.82 | 91.30 |
| 18 | 43.18 | 50.66 | 35 | 86.36 | 93.84 |
| 19 | 45.72 | 53.20 | 36 | 88.90 | 96.38 |
| 20 | 48.26 | 55.74 | 37 | 91.44 | 98.92 |
| 21 | 50.80 | 58.28 | 38 | 93.98 | 101.46 |
| 22 | 53.34 | 60.82 | 39 | 96.52 | 104.00 |
| 23 | 55.88 | 63.36 | 40 | 99.06 | 106.54 |
| 24 | 58.42 | 65.90 | | | |

Specifications:
 Contact Resistance: 30mΩ max.at DC 100 mA
 Insulator Resistance: 1000MΩ min.at DC 500V
 Current Rating: 1AMP

Dielectric Withstanding
 Voltage: AC 1000V For 1 minute
 Operating Temperature: -55° C--+105° C
 Contact: Phosphor Bronze
 Housing: PBT &30% Glass Fiber(UL 94V-0)

How To Order

120 - 34 T K

SERIES NO: 1
 NO.OF PINS: 8 TO 40
 CONTACT PLATED: G-ALL GOLD PLATED T-TIN PLATED
 COLOR: K-BLACK G-GRAY



124 series

DIP PLUG 2.54mm(0.100")

| Position | A | B | C | D |
|----------|-------|-------|-------|-------|
| 14 | 22.74 | 15.24 | 10.60 | 7.62 |
| 16 | 25.12 | 17.78 | 10.60 | 7.62 |
| 18 | 26.74 | 20.32 | 10.60 | 7.62 |
| 20 | 29.74 | 22.86 | 10.60 | 7.62 |
| 24 | 35.00 | 27.94 | 18.18 | 15.24 |
| 28 | 40.10 | 33.02 | 18.18 | 15.24 |
| 40 | 55.20 | 48.26 | 18.18 | 15.24 |

Specifications:
 Contact Resistance: 30mΩ max.at DC 100 mA
 Insulator Resistance: 1000MΩ min.at DC 500V
 Current Rating: 1AMP

Dielectric Withstanding
 Voltage: AC 500V For 1 minute
 Operating Temperature: -55° C--+105° C
 Contact: Brass or Phosphor Bronze
 Housing: PBT &30% Glass Fiber(UL 94V-0)

How To Order

124 - 20 G K

SERIES NO: 1
 NO.OF PINS: 14.16.18.20.24.28.40
 CONTACT PLATED: G-ALL GOLD PLATED T-TIN PLATED C-WIRE CUTTING NICKEL PLATED & DIP GOLD PLATED
 COLOR: K-BLACK G-GRAY



125 series

IC SOCKET 2.54mm(0.100")

| Position | Dimension | | | | Position | Dimension | | | |
|----------|-----------|-------|-------|------|----------|-----------|-------|-------|-------|
| | A | B | C | D | | A | B | C | D |
| 6 | 7.62 | 5.08 | 10.16 | 7.62 | 24 | 30.48 | 27.94 | 17.78 | 15.24 |
| 8 | 10.16 | 7.62 | 10.16 | 7.62 | 28 | 35.56 | 33.02 | 10.16 | 7.62 |
| 14 | 17.82 | 15.24 | 10.16 | 7.62 | 28 | 35.56 | 33.02 | 17.78 | 15.24 |
| 16 | 20.32 | 17.78 | 10.16 | 7.62 | 32 | 40.54 | 38.10 | 17.68 | 15.24 |
| 18 | 22.86 | 20.32 | 10.16 | 7.62 | 40 | 50.80 | 48.26 | 17.78 | 15.24 |
| 20 | 25.40 | 22.86 | 10.16 | 7.62 | 42 | 53.21 | 50.80 | 17.68 | 15.24 |
| 24 | 30.48 | 27.94 | 10.16 | 7.62 | | | | | |

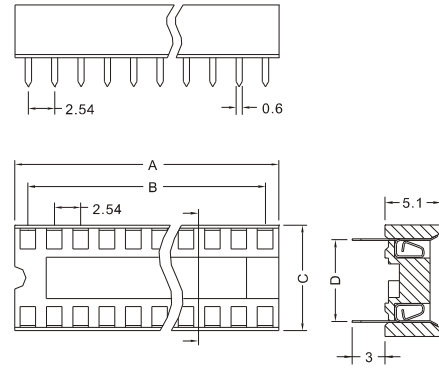
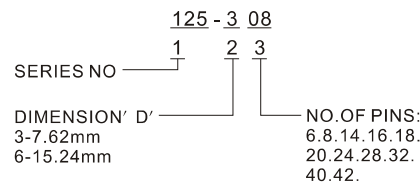
Specifications:

Contact Resistance: 30mΩ max.at DC 100 mA
 Insulator Resistance: 1000MΩ min.at DC 500V
 Current Rating: 1AMP

Dielectric Withstanding

Voltage: AC 500V For 1 minute
 Operating Temperature: -55° C--+105° C
 Contact: Phosphor Bronze
 Housing: PBT &30% Glass Fiber(UL 94V-0)

How To Order

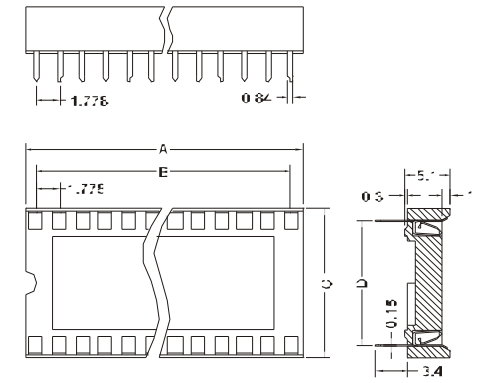
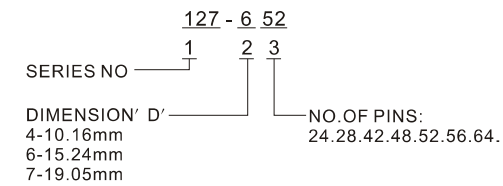


127 series

H.D.IC SOCKET 1.778mm(0.070")

| Position | A | B | C | D |
|----------|-------|-------|-------|-------|
| 42 | 37.46 | 35.56 | 17.73 | 15.24 |
| 48 | 42.79 | 40.89 | 17.73 | 15.24 |
| 52 | 46.35 | 44.45 | 17.73 | 15.24 |
| 56 | 49.91 | 48.01 | 17.73 | 15.24 |
| 64 | 57.04 | 55.12 | 21.54 | 19.05 |

How To Order

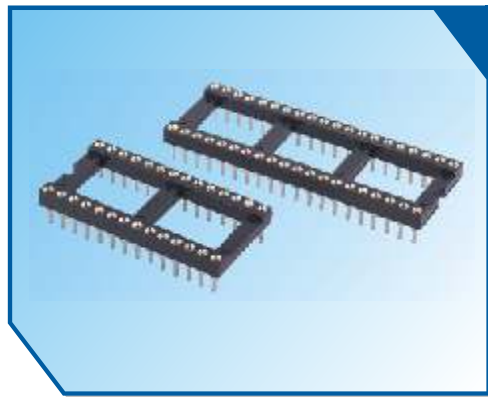


Specifications:

Contact Resistance: 30mΩ max.at DC 100 mA
 Insulator Resistance: 1000MΩ min.at DC 500V
 Current Rating: 1AMP

Dielectric Withstanding

Voltage: AC 500V For 1 minute
 Operating Temperature: -55° C--+105° C
 Contact: Phosphor Bronze
 Housing: PPS &30% Glass Fiber(UL 94V-0)



126 series

IC SOCKET 2.54mm(0.100")

| Position | Dimension | | | | Position | Dimension | | | |
|----------|-----------|-------|-------|------|----------|-----------|-------|-------|-------|
| | A | B | C | D | | A | B | C | D |
| 6 | 7.62 | 5.08 | 10.16 | 7.62 | 24 | 30.48 | 27.94 | 10.16 | 7.62 |
| 8 | 10.16 | 7.62 | 10.16 | 7.62 | 24 | 30.48 | 27.94 | 17.78 | 15.24 |
| 14 | 17.82 | 15.24 | 10.16 | 7.62 | 28 | 35.56 | 33.02 | 10.16 | 7.62 |
| 16 | 20.32 | 17.78 | 10.16 | 7.62 | 28 | 35.56 | 33.02 | 17.78 | 15.24 |
| 18 | 22.86 | 20.32 | 10.16 | 7.62 | 40 | 50.80 | 48.26 | 17.78 | 15.24 |
| 20 | 25.40 | 22.86 | 10.16 | 7.62 | | | | | |

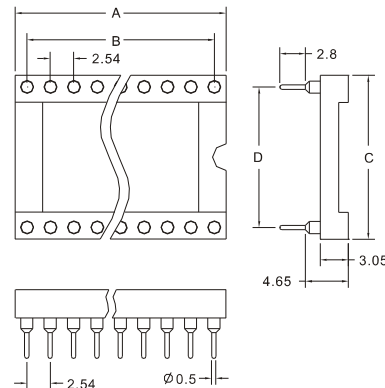
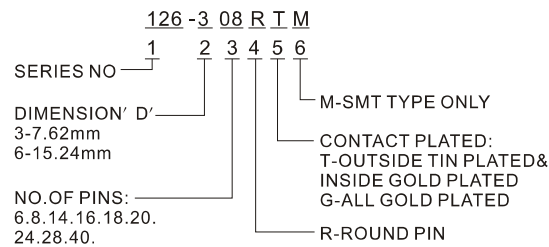
Specifications:

Contact Resistance: 30mΩ max.at DC 100 mA
 Insulator Resistance: 1000MΩ min.at DC 500V
 Current Rating: 1AMP

Dielectric Withstanding

Voltage: AC 500V For 1 minute
 Operating Temperature: -55° C--+105° C
 Contact: Phosphor Bronze
 Housing: PBT &30% Glass Fiber(UL 94V-0)

How To Order

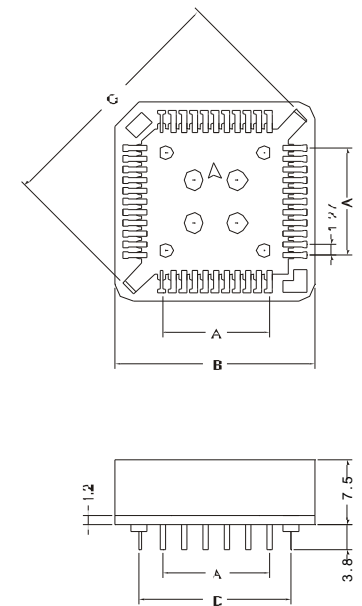
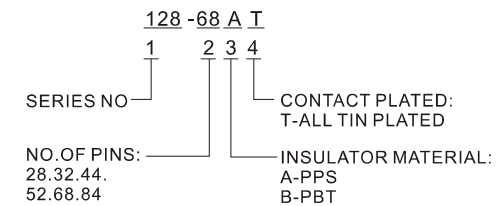


128 series

P.L.C.C SOCKET

| Position | A | B | C | D |
|----------|-------|-------|-------|-------|
| 28 | 7.62 | 18.10 | 22.20 | 12.70 |
| 32 | 7.62 | 18.80 | 25.70 | 12.70 |
| 32 | 10.16 | 21.30 | 25.70 | 15.24 |
| 44 | 12.70 | 23.50 | 29.80 | 17.78 |
| 52 | 15.24 | 26.00 | 32.64 | 20.32 |
| 68 | 20.32 | 30.20 | 40.10 | 25.40 |
| 84 | 25.40 | 35.20 | 46.90 | 30.48 |

How To Order

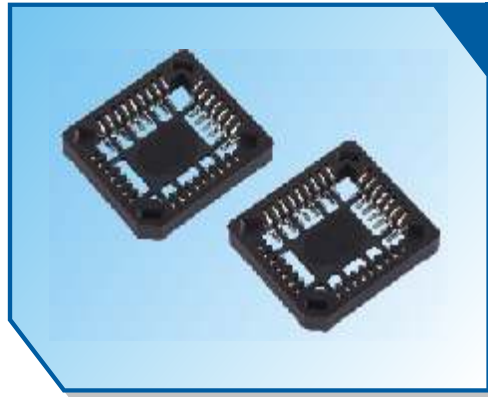


Specifications:

Contact Resistance: 30mΩ max.at DC 100 mA
 Insulator Resistance: 1000MΩ min.at DC 500V
 Current Rating: 1AMP

Dielectric Withstanding

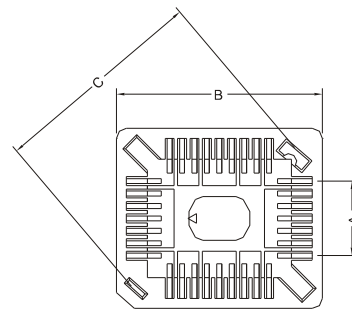
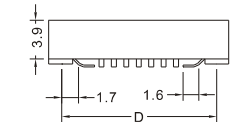
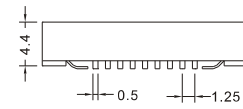
Voltage: AC 500V For 1 minute
 Operating Temperature: -55° C--+105° C
 Contact: Phosphor Bronze
 Housing: PPS &40% Glass Fiber(UL 94V-0)
 PBT &30% Glass Fiber(UL 94V-0)



129 series

P.L.C.C SOCKET SMT TYPE

| Position | A | B | C | D |
|----------|-------|-------|-------|-------|
| 28 | 7.62 | 18.10 | 22.20 | 12.70 |
| 32 | 7.62 | 18.80 | 25.70 | 12.70 |
| 32 | 10.16 | 21.30 | 25.70 | 15.24 |
| 44 | 12.70 | 23.50 | 29.80 | 17.78 |
| 52 | 15.24 | 26.00 | 32.64 | 20.32 |
| 68 | 20.32 | 30.20 | 40.10 | 25.40 |
| 84 | 25.40 | 35.20 | 46.90 | 30.48 |



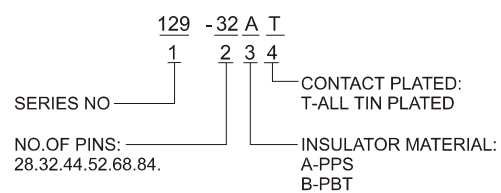
Specifications:

Contact Resistance: 30mΩ max.at DC 100 mA
 Insulator Resistance: 1000MΩ min.at DC 500V
 Current Rating: 1AMP

Dielectric Withstanding

Voltage: AC 500V For 1 minute
 Operating Temperature: -55° C--+105° C
 Contact: Phosphor Bronze
 Housing: PPS & 40% Glass Fiber (UL 94V-0)
 PBT & 30% Glass Fiber (UL 94V-0)

How To Order



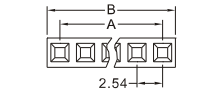
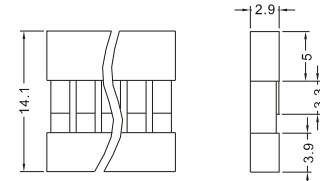
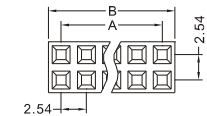
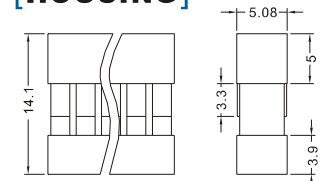
130-A series

DUPON CONNECTOR

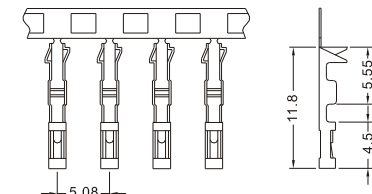
2.54mm(0.100")

| Position | 2 Thru 22 |
|-----------|-------------------------|
| Dimension | 4 Thru 44 |
| A | 2.54*Position No. |
| B | 2.54*Position No. -2.54 |

[HOUSING]



[TERMINALS]



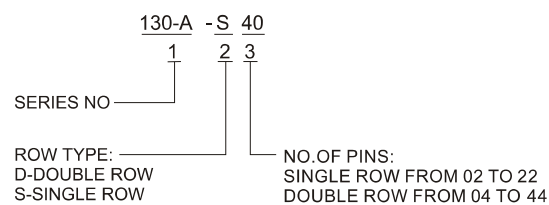
Specifications:

Contact Resistance: 100mΩ max.
 Insulator Resistance: 1000MΩ min.at DC 500V
 Current Rating: 3AMP

Dielectric Withstanding

Voltage: AC 500V For 1 minute
 Operating Temperature: -25° C--+85° C
 Contact: Phosphor Bronze
 Housing: Nylon UL 94V-0

How To Order



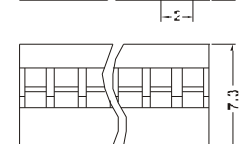
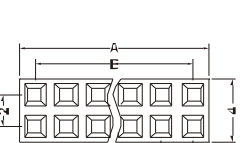
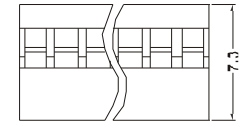
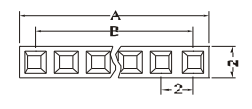
130-B series

DUPON CONNECTOR

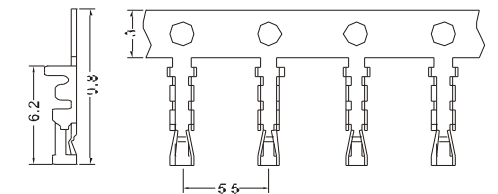
2.00mm(0.079")

| Position | 2 Thru 14 |
|-----------|-----------------------|
| Dimension | 4 Thru 20 |
| A | 2.0*Position No. |
| B | 2.0*Position No. -2.0 |

[HOUSING]



[TERMINALS]



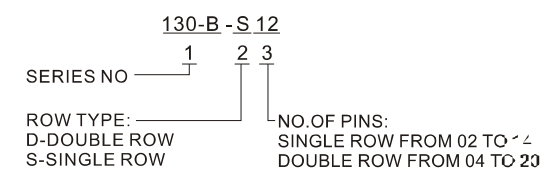
Specifications:

Contact Resistance: 100mΩ max.
 Insulator Resistance: 1000MΩ min.at DC 500V
 Current Rating: 3AMP

Dielectric Withstanding

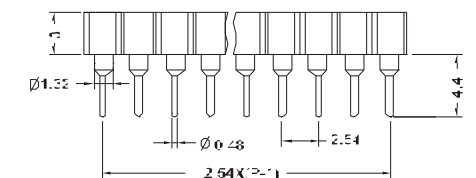
Voltage: AC 500V For 1 minute
 Operating Temperature: -25° C--+85° C
 Contact: Phosphor Bronze
 Housing: Nylon UL 94V-0

How To Order



131 series

SIP SOCKET(SCREW PIN)2.54mm



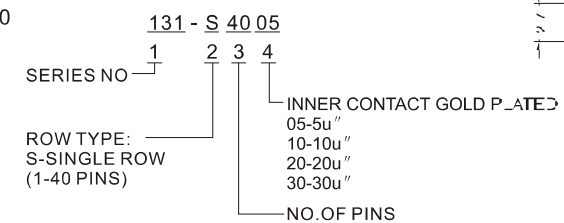
Material and Finish:

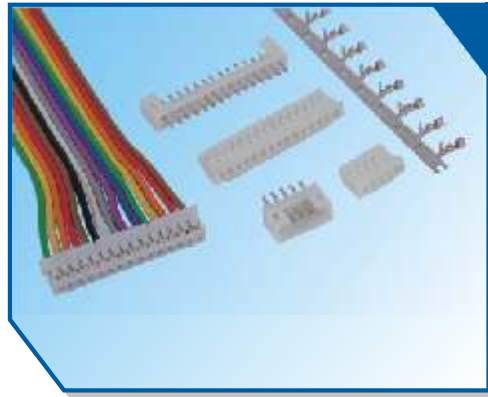
Insulator: Glass Filled Thermoplastic PPS UL 94V-0
 Contact: (BeCu), Beryllium Copper
 Finishes: Outer Shield: Tin Plated
 Inner Contact: Gold Plated

Performance Characteristics:

Voltage Rating: AC 250V
 Current Rating: 1AMP
 Withstanding Voltage: 1000V AC For 1Minute
 Contact Resistance: 15 Milliohms Max
 Insulator Resistance: 1000 Megohms Min
 Operating Temperature: -55° C--+105° C
 Contact Style: Four-Fingered Inner Contact

How To Order





132 series

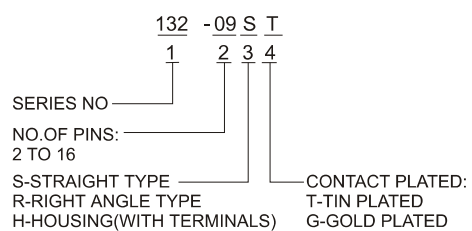
PH CONNECTOR 2.00mm(0.079")

| Position | A | B | C | D | Position | A | B | C | D |
|----------|------|------|------|------|----------|------|------|------|------|
| 2 | 2.0 | 5.9 | 2.0 | 5.8 | 10 | 18.0 | 21.9 | 18.0 | 21.8 |
| 3 | 4.0 | 7.9 | 4.0 | 7.8 | 11 | 20.0 | 23.9 | 20.0 | 23.8 |
| 4 | 6.0 | 9.9 | 6.0 | 9.8 | 12 | 22.0 | 25.9 | 22.0 | 25.8 |
| 5 | 8.0 | 11.9 | 8.0 | 11.8 | 13 | 24.0 | 27.9 | 24.0 | 27.8 |
| 6 | 10.0 | 13.9 | 10.0 | 13.8 | 14 | 26.0 | 29.9 | 26.0 | 29.8 |
| 7 | 12.0 | 15.9 | 12.0 | 15.8 | 15 | 28.0 | 31.9 | 28.0 | 31.8 |
| 8 | 14.0 | 17.9 | 14.0 | 17.8 | 16 | 30.0 | 33.9 | 30.0 | 33.8 |
| 9 | 16.0 | 19.9 | 16.0 | 19.8 | | | | | |

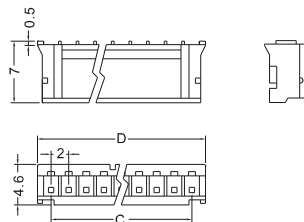
Material & Finish

Insulator Material: Nylon 66(UL 94V-0)
 Contact Material: Brass or Phosphor Bronze
 Contact Plated: Tin plated
 Number of Contacts: 2 Thru 16

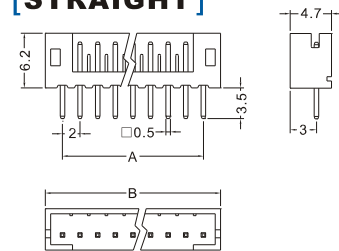
How To Order



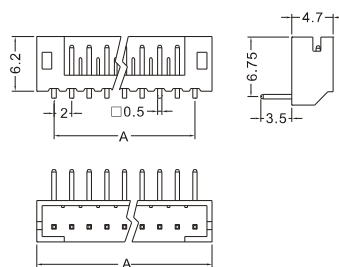
[HOUSING]



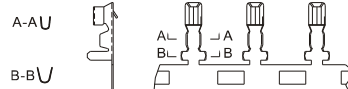
[STRAIGHT]



[RIGHT ANGLE]



[TERMINALS]



134 series

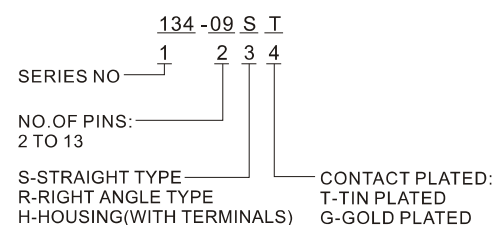
CH CONNECTOR 3.96mm(0.156")

| Position | A | B | C | D |
|----------|-------|-------|-------|-------|
| 2 | 7.92 | 3.96 | 7.92 | 3.96 |
| 3 | 11.88 | 7.92 | 11.88 | 7.92 |
| 4 | 15.84 | 11.88 | 15.84 | 11.88 |
| 5 | 19.80 | 15.84 | 19.80 | 15.84 |
| 6 | 23.76 | 19.80 | 23.76 | 19.80 |
| 7 | 27.72 | 23.76 | 27.72 | 23.76 |
| 8 | 31.68 | 27.72 | 31.68 | 27.72 |
| 9 | 35.64 | 31.68 | 35.64 | 31.68 |
| 10 | 39.60 | 35.64 | 39.60 | 35.64 |
| 11 | 43.56 | 39.60 | 43.56 | 39.60 |
| 12 | 47.52 | 43.56 | 47.52 | 43.56 |
| 13 | 51.48 | 47.52 | 51.48 | 47.52 |

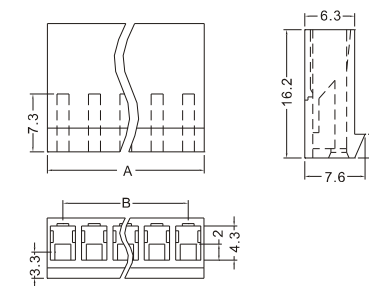
Material & Finish

Insulator Material: Nylon 66 (UL 94V-0)
 Contact Material: Brass
 Contact Plated: Tin Plated
 Number of Contacts: 2 Thru 13
 Color: White

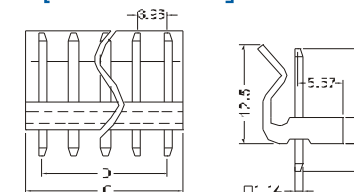
How To Order



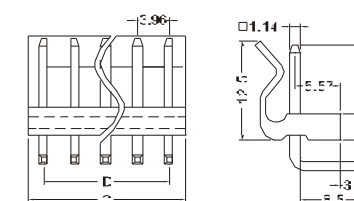
[HOUSING]



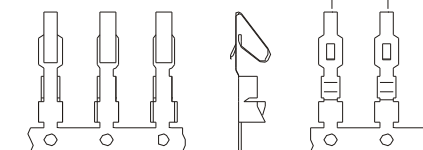
[STRAIGHT]



[RIGHT ANGLE]



[TERMINALS]



133 series

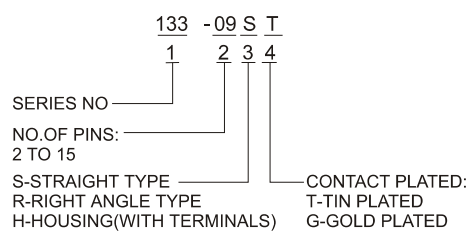
EH CONNECTOR 2.50mm(0.098")

| Position | A | B | C | D | Position | A | B | C | D |
|----------|------|------|------|------|----------|------|------|------|------|
| 2 | 2.5 | 7.5 | 2.5 | 7.0 | 9 | 20.0 | 25.0 | 20.0 | 24.5 |
| 3 | 5.0 | 10.0 | 5.0 | 9.5 | 10 | 22.5 | 27.5 | 22.5 | 27.0 |
| 4 | 7.5 | 12.5 | 7.5 | 12.0 | 11 | 25.0 | 30.0 | 25.0 | 29.5 |
| 5 | 10.0 | 15.0 | 10.0 | 14.5 | 12 | 27.5 | 32.5 | 27.5 | 32.0 |
| 6 | 12.5 | 17.5 | 12.5 | 17.0 | 13 | 30.0 | 35.0 | 30.0 | 34.5 |
| 7 | 15.0 | 20.0 | 15.0 | 19.5 | 14 | 32.5 | 37.5 | 32.5 | 37.0 |
| 8 | 17.5 | 22.5 | 17.5 | 22.0 | 15 | 35.0 | 40.0 | 35.0 | 39.5 |

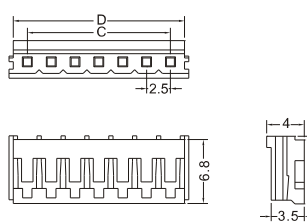
Material & Finish

Insulator Material: Nylon 66(UL 94V-0)
 Contact Material: Brass or Phosphor Bronze
 Contact Plated: Tin plated
 Number of Contacts: 2 Thru 15

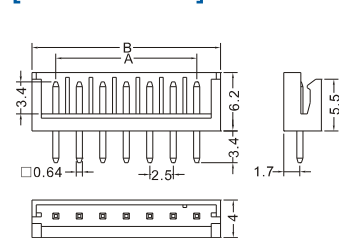
How To Order



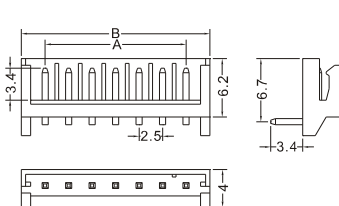
[HOUSING]



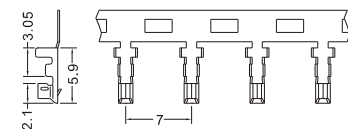
[STRAIGHT]



[RIGHT ANGLE]



[TERMINALS]



135 series

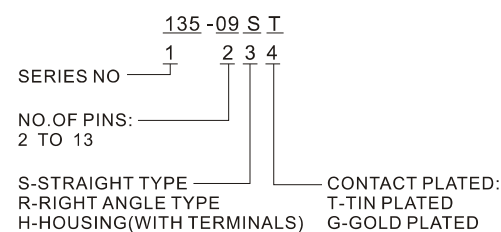
VH CONNECTOR 3.96mm(0.156")

| Position | A | B | C | D |
|----------|-------|-------|-------|-------|
| 2 | 7.92 | 3.96 | 7.92 | 3.96 |
| 3 | 11.88 | 7.92 | 11.88 | 7.92 |
| 4 | 15.84 | 11.88 | 15.84 | 11.88 |
| 5 | 19.80 | 15.84 | 19.80 | 15.84 |
| 6 | 23.76 | 19.80 | 23.76 | 19.80 |
| 7 | 27.72 | 23.76 | 27.72 | 23.76 |
| 8 | 31.68 | 27.72 | 31.68 | 27.72 |
| 9 | 35.64 | 31.68 | 35.64 | 31.68 |
| 10 | 39.60 | 35.64 | 39.60 | 35.64 |
| 11 | 43.56 | 39.60 | 43.56 | 39.60 |
| 12 | 47.52 | 43.56 | 47.52 | 43.56 |
| 13 | 51.48 | 47.52 | 51.48 | 47.52 |

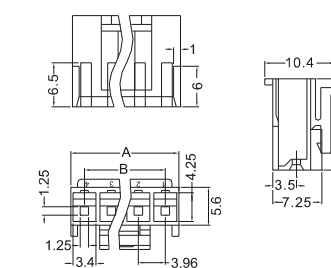
Material & Finish

Insulator Material: Nylon 66 (UL 94V-0)
 Contact Material: Brass
 Contact Plated: Tin Plated
 Number of Contacts: 2 Thru 13
 Color: White

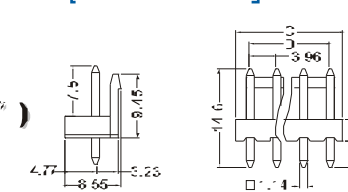
How To Order



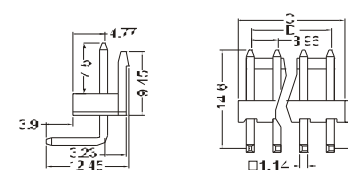
[HOUSING]



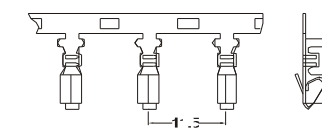
[STRAIGHT]



[RIGHT ANGLE]



[TERMINALS]



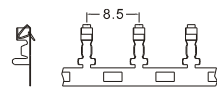


136 series

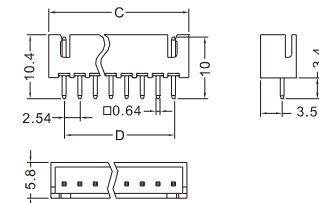
XH CONNECTOR 2.54mm(0.100")

| Position | A | B | C | D |
|----------|-------|-------|-------|-------|
| 2 | 7.28 | 2.54 | 6.88 | 2.54 |
| 3 | 9.82 | 5.08 | 9.42 | 5.08 |
| 4 | 12.36 | 7.62 | 11.96 | 7.62 |
| 5 | 14.90 | 10.16 | 14.50 | 10.16 |
| 6 | 17.44 | 12.70 | 17.04 | 12.70 |
| 7 | 19.98 | 15.24 | 19.58 | 15.24 |
| 8 | 22.52 | 17.78 | 22.12 | 17.78 |
| 9 | 25.06 | 20.32 | 24.66 | 20.32 |
| 10 | 27.60 | 22.86 | 27.20 | 22.86 |
| 11 | 30.14 | 25.40 | 29.74 | 25.40 |
| 12 | 32.68 | 27.94 | 32.28 | 27.94 |
| 13 | 35.22 | 30.48 | 34.82 | 30.48 |
| 14 | 37.76 | 33.02 | 37.36 | 33.02 |
| 15 | 40.30 | 35.56 | 39.90 | 35.56 |
| 16 | 42.84 | 38.10 | 42.44 | 38.10 |
| 17 | 45.38 | 40.64 | 44.98 | 40.64 |
| 18 | 47.92 | 43.18 | 47.52 | 43.18 |
| 19 | 50.46 | 45.72 | 50.06 | 45.72 |
| 20 | 53.00 | 48.26 | 52.60 | 48.26 |

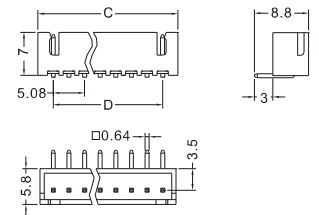
[TERMINALS]



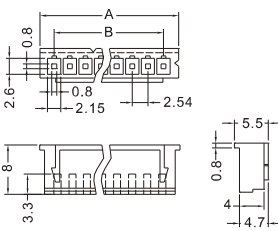
[STRAIGHT]



[RIGHT ANGLE]



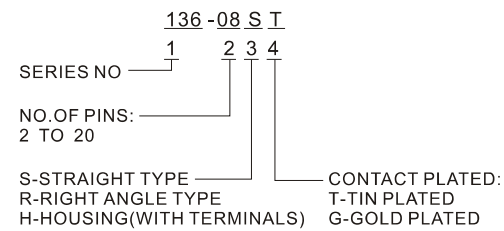
[HOUSING]



Material & Finish

Insulator Material: Nylon 66 (UL 94V-0)
 Contact Material: Brass
 Contact Plated: Tin Plated
 Number of Contacts: 2 Thru 20
 Color: White

How To Order

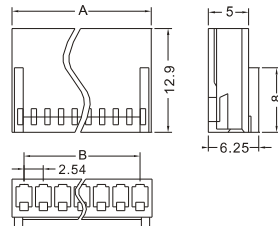


137 series

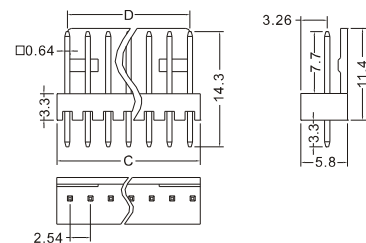
2510 CONNECTOR 2.54mm(0.100")

| Position | A | B | C | D |
|----------|-------|-------|-------|-------|
| 2 | 5.68 | 2.54 | 5.08 | 2.54 |
| 3 | 8.22 | 5.08 | 7.62 | 5.08 |
| 4 | 10.76 | 7.62 | 10.16 | 7.62 |
| 5 | 13.30 | 10.16 | 12.70 | 10.16 |
| 6 | 15.84 | 12.70 | 15.24 | 12.70 |
| 7 | 18.38 | 15.24 | 17.78 | 15.24 |
| 8 | 20.92 | 17.78 | 20.32 | 17.78 |
| 9 | 23.46 | 20.32 | 22.86 | 20.32 |
| 10 | 26.00 | 22.86 | 25.40 | 22.86 |
| 11 | 28.54 | 25.40 | 27.94 | 25.40 |
| 12 | 31.08 | 27.94 | 30.48 | 27.94 |
| 13 | 33.62 | 30.48 | 33.02 | 30.48 |
| 14 | 36.16 | 33.02 | 35.56 | 33.02 |
| 15 | 38.70 | 35.56 | 38.10 | 35.56 |
| 16 | 41.24 | 38.10 | 40.64 | 38.10 |

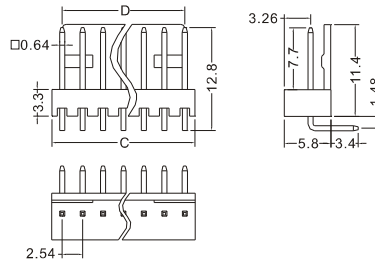
[HOUSING]



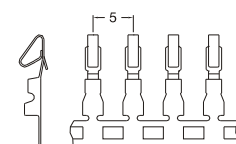
[STRAIGHT]



[RIGHT ANGLE]



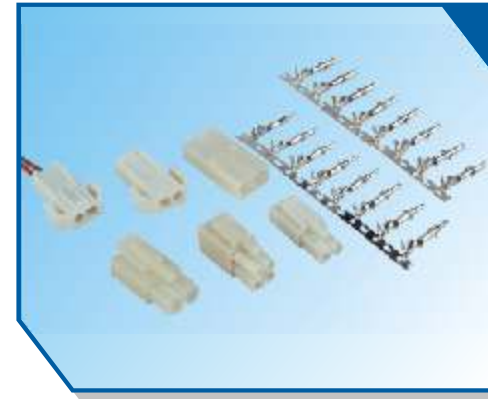
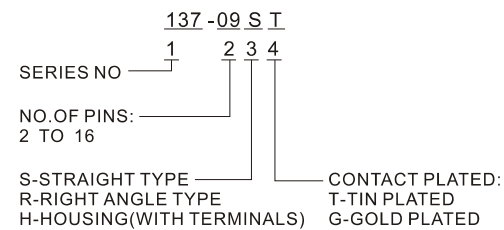
[TERMINALS]



Material & Finish

Insulator Material: Nylon 66 (UL 94V-0)
 Contact Material: Brass
 Contact Plated: Tin Plated
 Number of Contacts: 2 Thru 16
 Color: White

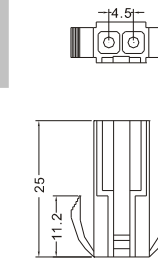
How To Order



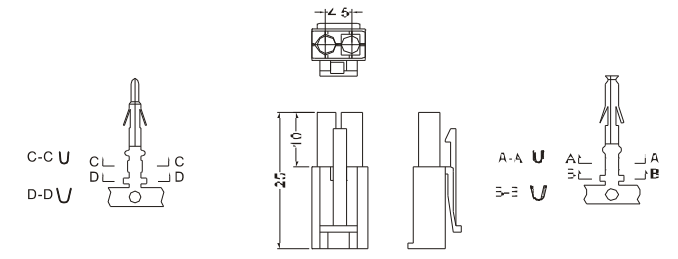
138 series

EL CONNECTOR 4.5mm(0.177")

[MALE]



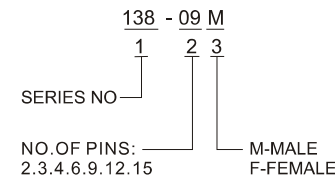
[FEMALE]



Material & Finish

Insulator Material: Nylon 66(UL 94-0)
 Contact Material: Phosphor Bronze
 Contact Plated: Tin plated
 Color: White

How To Order



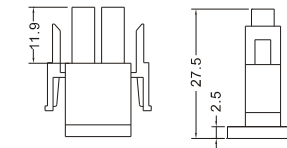
| Sample | | | | | | | | |
|----------------|--------------------|--------------------|--------------------|--------------------|--------------------|--------------------|--------------------|--------------------|
| Type | 138-02M 138-02F | 138-03M 138-03F | 138-04M 138-04F | 138-04M 138-04F | 138-06M 138-06F | 138-09M 138-09F | 138-12M 138-12F | 138-15M 138-15F |
| Current rating | 10A | 10A | 10A | 10A | 8A | 5A | 5A | 5A |



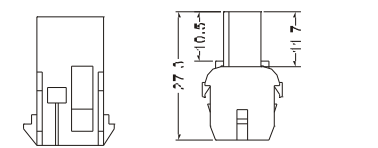
139 series

420 TYPE CONNECTOR 6.35mm(0.250")

[MALE]



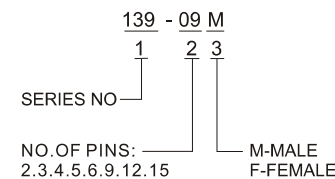
[FEMALE]



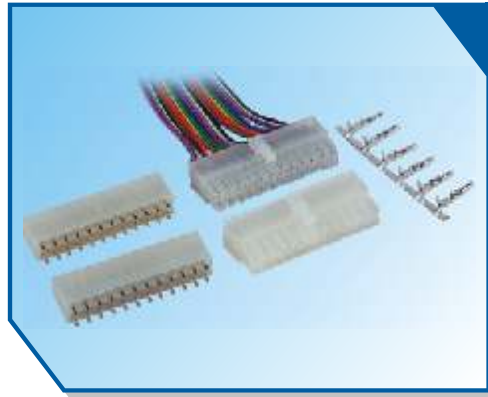
Material & Finish

Insulator Material: Nylon 66(UL 94-0)
 Contact Material: Phosphor Bronze
 Contact Plated: Tin plated
 Color: White

How To Order



| Sample | | | | | | | | |
|----------------|--------------------|--------------------|--------------------|--------------------|--------------------|--------------------|--------------------|--------------------|
| Type | 139-02M 139-02F | 139-03M 139-03F | 139-04M 139-04F | 139-05M 139-05F | 139-06M 139-06F | 139-09M 139-09F | 139-12M 139-12F | 139-15M 139-15F |
| Current rating | 12A | 12A | 12A | 10A | 10A | 5A | 8A | 5A |



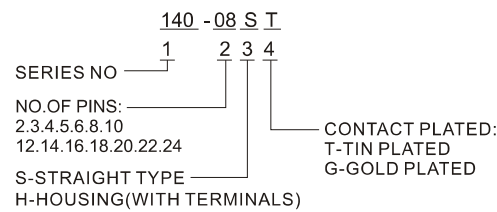
140 series

55 TYPE CONNECTOR

4.20mm(0.165")

| Position | A | B | Position | A | B |
|----------|------|------|----------|------|------|
| 2 | 4.2 | 5.6 | 12 | 21.0 | 26.6 |
| 3 | 8.4 | 14.0 | 14 | 25.2 | 30.8 |
| 4 | 4.2 | 9.8 | 16 | 29.4 | 35.0 |
| 5 | 16.8 | 22.4 | 18 | 33.6 | 39.2 |
| 6 | 8.4 | 14.0 | 20 | 37.8 | 43.4 |
| 8 | 12.6 | 18.2 | 22 | 42.0 | 47.6 |
| 10 | 16.8 | 22.4 | 24 | 46.2 | 51.8 |

How To Order



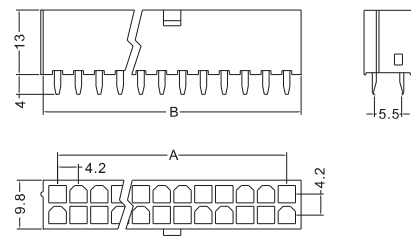
Specifications:

Contact Resistance: 15mΩ max
 Insulator Resistance: 1000MΩ min
 Dielectric Strength: AC 1500V For 1 minute
 Current Rating: 5AMP
 Voltage Rating: 250V/AC

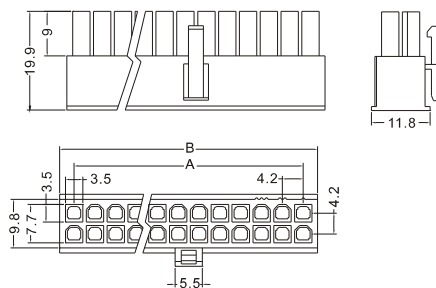
Material:

Housing: Nylon UL94V-2
 Contact: Phosphor Bronze(Tin Plated)

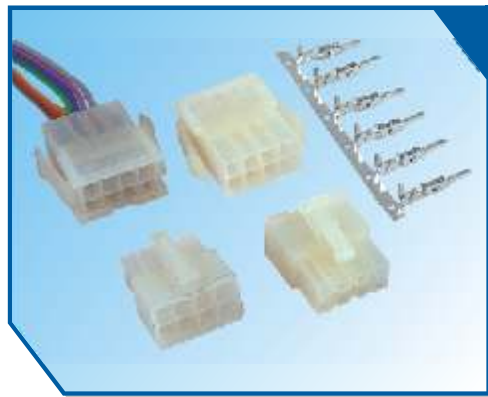
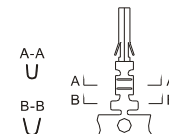
[STRAIGHT]



[HOUSING]



[TERMINALS]



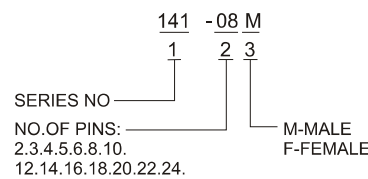
141 series

555 TYPE CONNECTOR

4.20mm(0.165")

| Position | A | B | Position | A | B |
|----------|------|------|----------|------|------|
| 2 | 4.2 | 5.6 | 12 | 21.0 | 26.6 |
| 3 | 8.4 | 14.0 | 14 | 25.2 | 30.8 |
| 4 | 4.2 | 9.8 | 16 | 29.4 | 35.0 |
| 5 | 16.8 | 22.4 | 18 | 33.6 | 39.2 |
| 6 | 8.4 | 14.0 | 20 | 37.8 | 43.4 |
| 8 | 12.6 | 18.2 | 22 | 42.0 | 47.6 |
| 10 | 16.8 | 22.4 | 24 | 46.2 | 51.8 |

How To Order



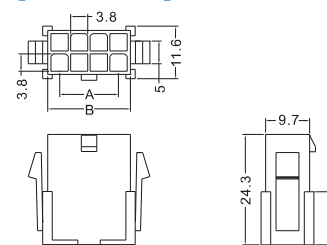
Specifications:

Contact Resistance: 15mΩ max
 Insulator Resistance: 1000MΩ min
 Dielectric Strength: AC 1500V For 1 minute
 Current Rating: 5AMP
 Voltage Rating: 250V/AC

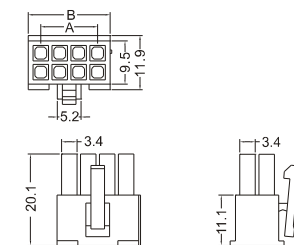
Material:

Housing: Nylon UL94V-2
 Contact: Phosphor Bronze(Tin Plated)

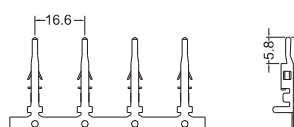
[FEMALE]



[MALE]



[TERMINALS]

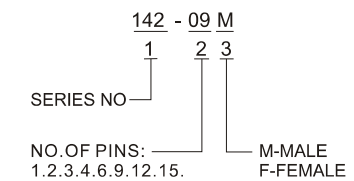


142 series

L6.2 TYPE CONNECTOR

6.20mm(0.244")

How To Order



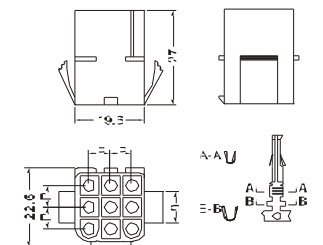
Specifications:

Contact Resistance: 10mΩ max
 Insulator Resistance: 1000MΩ min
 Dielectric Strength: AC 1500V For 1 minute
 Current Rating: 13-8AMP
 Voltage Rating: 300V/AC
 Pitch: 6.2mm

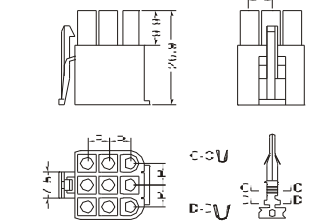
Material:

Housing: Nylon UL94V-0
 Contact: Phosphor Bronze(Tin Plated)

[FEMALE]



[MALE]



| Sample | | | | | | | | | |
|----------------|---------|---------|---------|----------|---------|---------|---------|---------|---------|
| Type | 142-01M | 142-02M | 142-03M | 142-04MN | 142-C4M | 142-06M | 142-09M | 142-12M | 142-15M |
| Current rating | 13A | 13A | 11A | 11A | 11A | 5A | 5A | 5A | 8A |

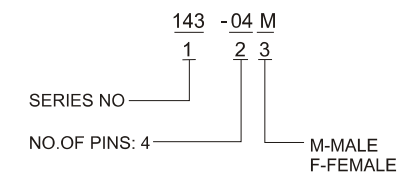


143 series

TJC10 CONNECTOR

5.08mm(0.200")

How To Order



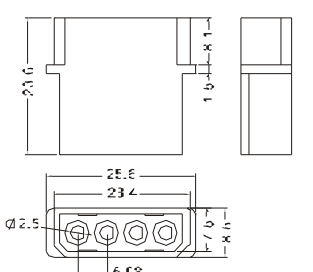
Specifications:

Contact Resistance: 10mΩ max
 Insulator Resistance: 1000MΩ min
 Dielectric Strength: AC 1500V For 1 minute
 Current Rating: 5AMP
 Voltage Rating: 250V/AC

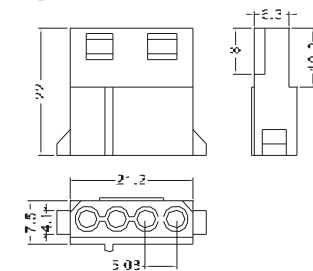
Material:

Housing: Nylon UL94V-2
 Contact: Phosphor Bronze(Tin Plated)

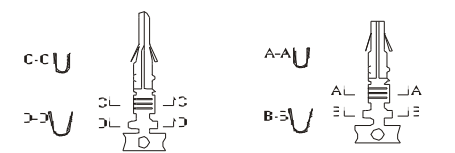
[PLUG HOUSING]

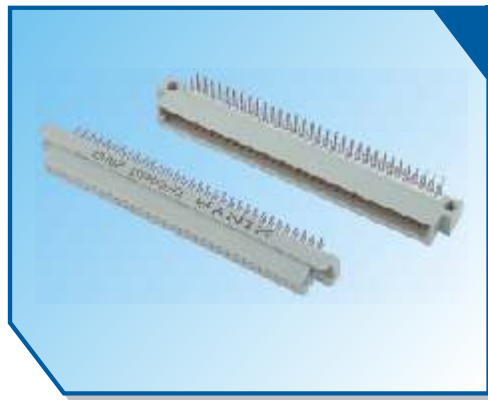


[RECEPTAC HOUSING]



[TERMINALS]



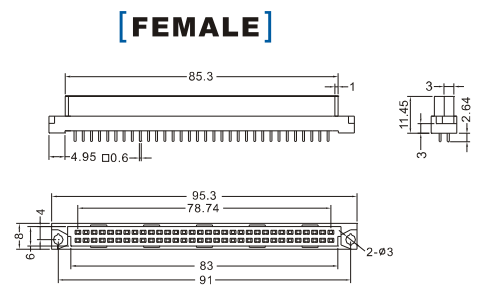
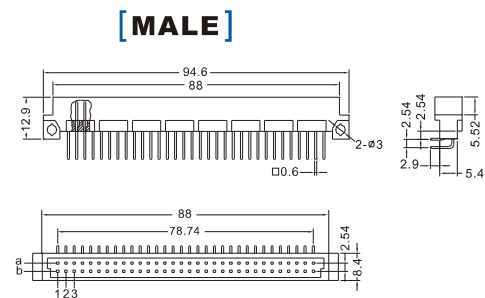
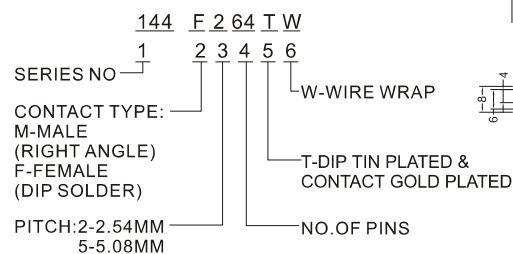


144 series DIN41612 B TYPE(2ROWS)

| Pitch | Position | Rows with Contacts |
|--------|----------|--------------------|
| 2.54mm | 64 | ab |
| | 32 | a- |
| 5.08mm | 32 | ab |
| | 16 | a- |

| X Length | 1 | 2 | W1 | W2 |
|----------|-------|---|------|------|
| Male | 2.9mm | | | |
| Female | 4.0mm | | 13mm | 17mm |

How To Order

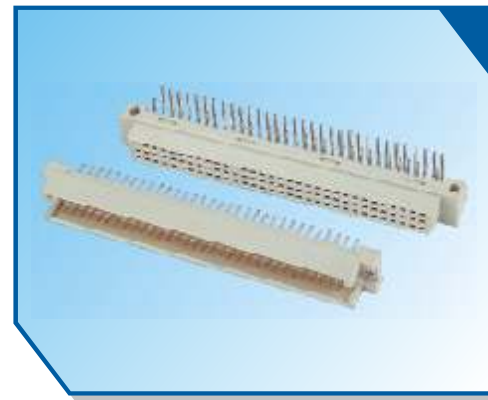


Specifications:

Contact Resistance: 30mΩ max.at DC 100 mA
Insulator Resistance: 1000MΩ min.at DC 500V
Current Rating: 2AMP

Dielectric Withstanding

Voltage: AC 1000V For 1 minute
Operating Temperature: -55° C--+105° C
Contact: Male Brass
Female Phosphor Bronze
Housing: PBT &30% Glass Fiber(UL 94V-0)

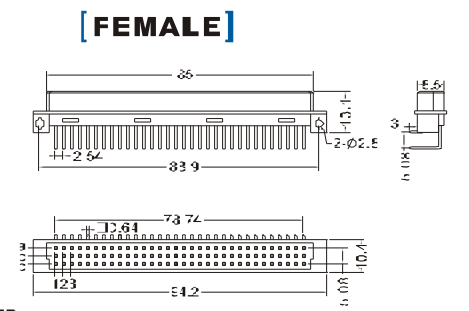
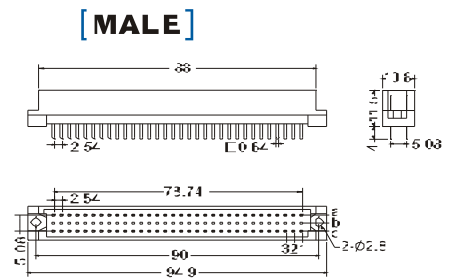
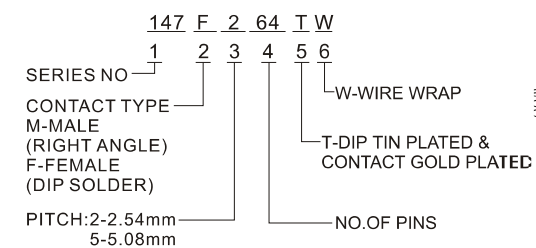


147 series DIN41612 R TYPE(3 ROWS)

| Pitch | Position | Rows with Contacts |
|--------|----------|--------------------|
| 2.54mm | 96 | abc |
| | 64 | a-c |
| 5.08mm | 48 | abc |
| | 32 | a-c |

| X Length | 1 | 2 | W1 | W2 |
|----------|-------|---|------|------|
| Male | 2.9mm | | | |
| Female | 4.0mm | | 13mm | 17mm |

How To Order



Specifications:

Contact Resistance: 30mΩ max.at DC 100 mA
Insulator Resistance: 1000MΩ min.at DC 500V
Current Rating: 2AMP

Dielectric Withstanding

Voltage: AC 1000V For 1 minute
Operating Temperature: -55° C--+105° C
Contact: Male Brass
Female Phosphor Bronze
Housing: PBT &30% Glass Fiber(UL 94V-0)

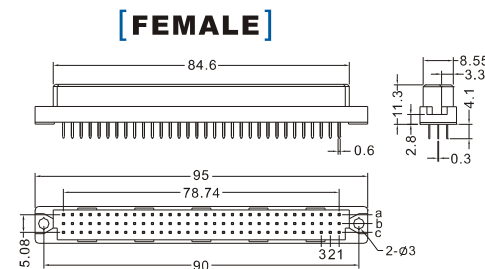
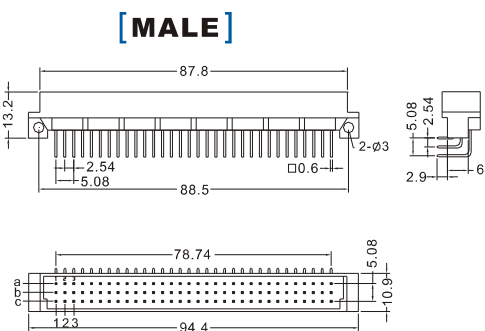
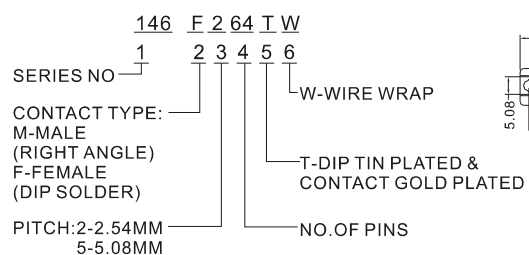


146 series DIN41612 C TYPE(3ROWS)

| Pitch | Position | Rows with Contacts |
|--------|----------|--------------------|
| 2.54mm | 96 | abc |
| | 64 | a-c |
| 5.08mm | 48 | abc |
| | 32 | a-c |

| X Length | 1 | 2 | W1 | W2 |
|----------|-------|---|------|------|
| Male | 2.9mm | | | |
| Female | 4.0mm | | 13mm | 17mm |

How To Order



Specifications:

Contact Resistance: 30mΩ max.at DC 100 mA
Insulator Resistance: 1000MΩ min.at DC 500V
Current Rating: 2AMP

Dielectric Withstanding

Voltage: AC 1000V For 1 minute
Operating Temperature: -55° C--+105° C
Contact: Male Brass
Female Phosphor Bronze
Housing: PBT &30% Glass Fiber(UL 94V-0)

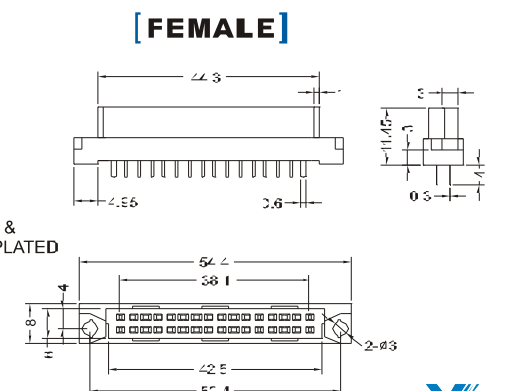
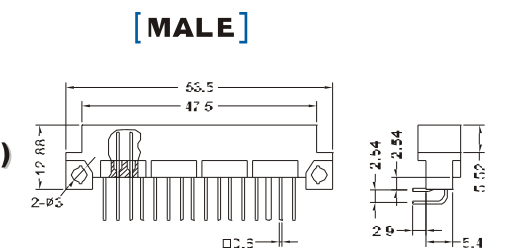
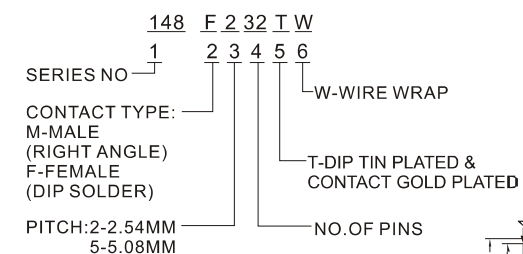


148 series DIN41612 B/2 TYPE(2ROWS)

| Pitch | Position | Rows with Contacts |
|--------|----------|--------------------|
| 2.54mm | 32 | ab |
| | 16 | a- |
| 5.08mm | 16 | ab |
| | 8 | a- |

| X Length | 1 | 2 | W1 | W2 |
|----------|-------|---|------|------|
| Male | 2.9mm | | | |
| Female | 4.0mm | | 13mm | 17mm |

How To Order

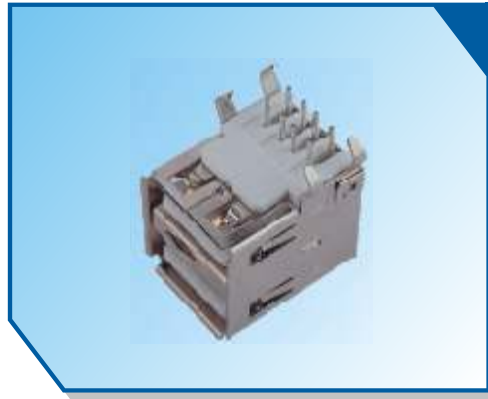


Specifications:

Contact Resistance: 30mΩ max.at DC 100 mA
Insulator Resistance: 1000MΩ min.at DC 500V
Current Rating: 2AMP

Dielectric Withstanding

Voltage: AC 1000V For 1 minute
Operating Temperature: -55° C--+105° C
Contact: Male Brass
Female Phosphor Bronze
Housing: PBT &30% Glass Fiber(UL 94V-0)



153 series

USB A TYPE STACK

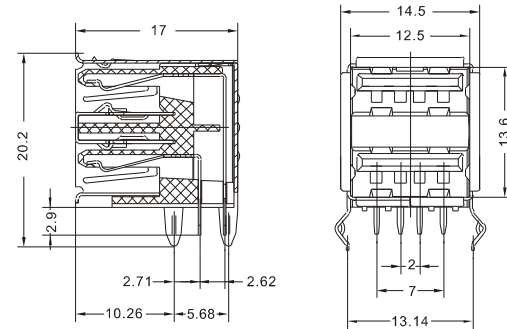
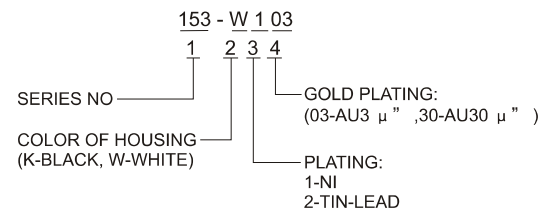
Specifications:

Contact Resistance: 30mΩ max.
 Insulator Resistance: 1000MΩ min.at DC 500V
 Current Rating: 1AMP
 Voltage Rating: 30V AC

Dielectric Withstanding

Housing: PBT&30% Glass Fiber(UL 94V-0)
 Contact: Phosphor Bronze
 Dielectric Strength:AC 500V For 1 minute

How To Order



156 series

MINI DIN TYPE STACK

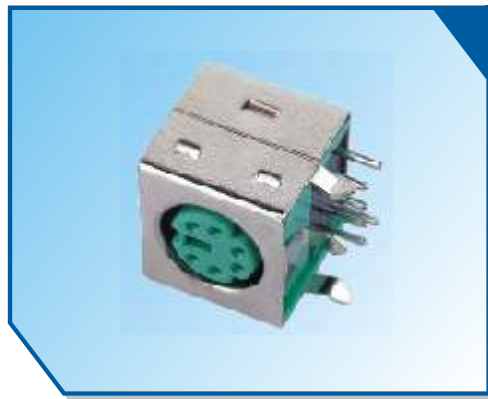
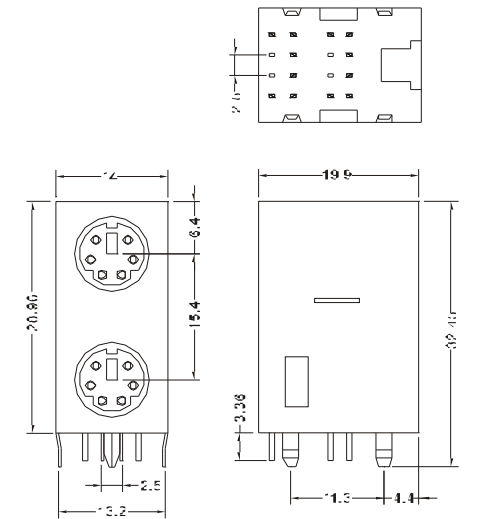
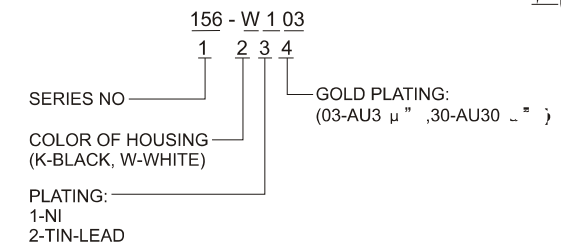
Specification:

Contact Resistance: 30mΩ max
 Insulator Resistance: 1000MΩ min.at DC 500V
 Current Rating: 1AMP
 Voltage Rating: 30V AC

Dielectric Withstanding:

Contact: Phosphor Bronze
 Voltage: AC 500V For 1minute
 Housing: PBT&30% Glass Fiber (UL 94V-0)

How To Order



155 series

MINI DIN TYPE

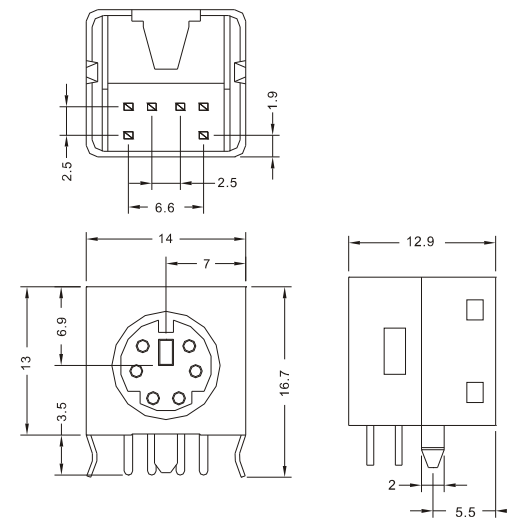
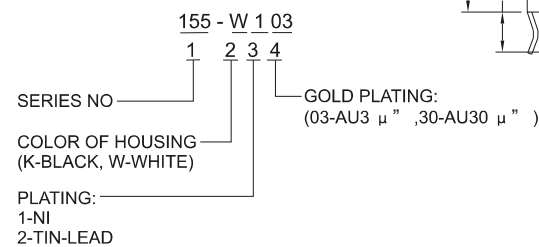
Specification:

Contact Resistance: 30mΩ max
 Insulator Resistance: 1000MΩ min.at DC 500V
 Current Rating: 1AMP
 Voltage Rating: 30V AC

Dielectric Withstanding:

Contact: Phosphor Bronze
 Voltage: AC 500V For 1minute
 Housing: PBT&30% Glass Fiber (UL 94V-0)

How To Order



157 series

DIN TYPE

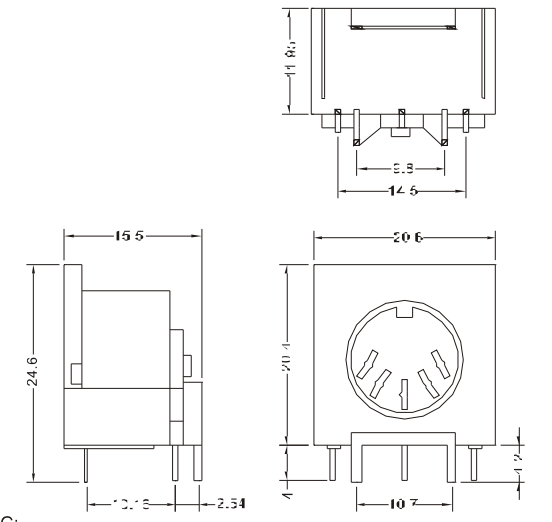
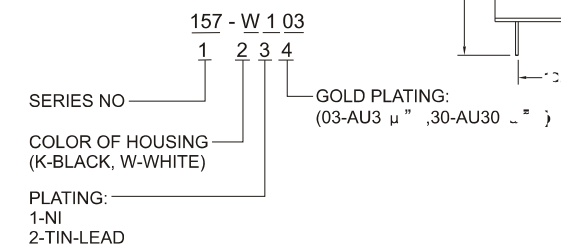
Specification:

Contact Resistance: 30mΩ max
 Insulator Resistance: 1000MΩ min.at DC 500V
 Current Rating: 1AMP
 Voltage Rating: 30V AC

Dielectric Withstanding:

Contact: Phosphor Bronze
 Voltage: AC 500V For 1minute
 Housing: PBT&30% Glass Fiber (UL 94V-0)

How To Order

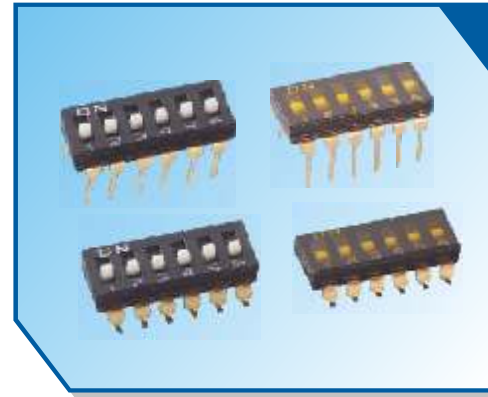
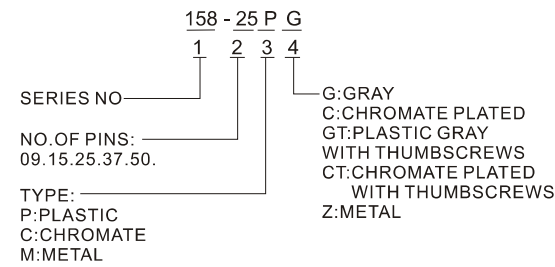




158 series

D-SUB COVER

How To Order

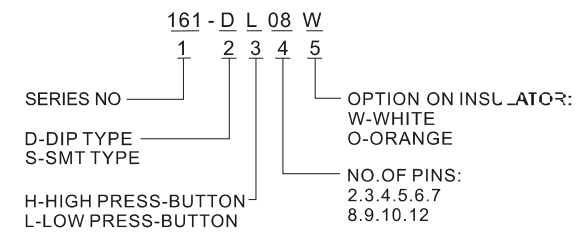


161 series

DIP SMT SWICH

| Position | A | B | Position | A | B |
|----------|-------|-------|----------|-------|-------|
| 2 | 6.18 | 2.54 | 7 | 18.08 | 15.24 |
| 3 | 8.72 | 5.08 | 8 | 21.42 | 17.78 |
| 4 | 11.26 | 7.62 | 9 | 23.96 | 20.32 |
| 5 | 13.80 | 10.16 | 10 | 26.50 | 22.86 |
| 6 | 16.34 | 12.7 | 12 | 31.58 | 27.94 |

How To Order

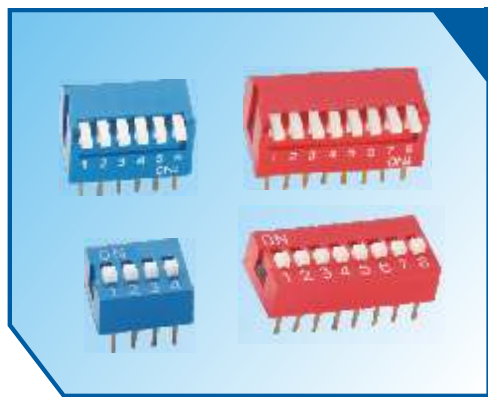
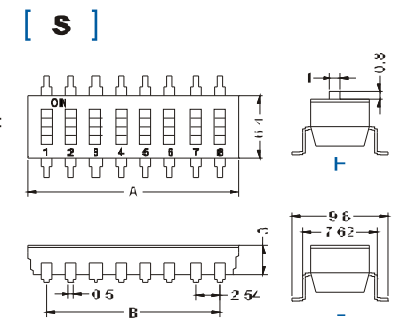
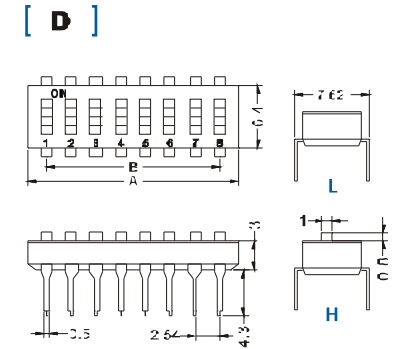


Specifications:

Contact Resistance: 30mΩ max. at DC 100mA
Insulator Resistance: 1000MΩ min. at DC 500V
Current Rating : 1AMP

Dielectric Withstanding:

Voltage: AC 500V For 1 minute
Operating Temperature: -55° C--+105° C
Contact: Brass
Housing: PBT &30% Glass Fiber(UL 94V-0)

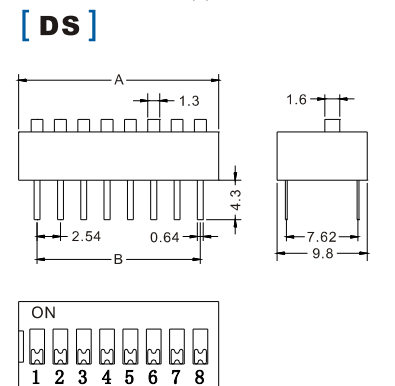
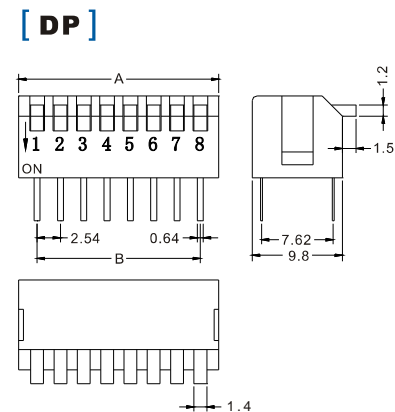
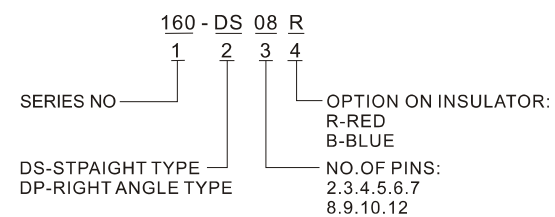


160 series

DIP SWITCH

| Position | A | B | Position | A | B |
|----------|-------|-------|----------|-------|-------|
| 2 | 6.54 | 2.54 | 7 | 19.24 | 15.24 |
| 3 | 9.08 | 5.08 | 8 | 21.78 | 17.78 |
| 4 | 11.62 | 7.62 | 9 | 24.32 | 20.32 |
| 5 | 14.16 | 10.16 | 10 | 26.86 | 22.86 |
| 6 | 16.7 | 12.7 | 12 | 31.94 | 27.94 |

How To Order



Specifications:

Contact Resistance: 30mΩ max. at DC 100mA
Insulator Resistance: 1000MΩ min. at DC 500V
Current Rating : 1AMP

Dielectric Withstanding:

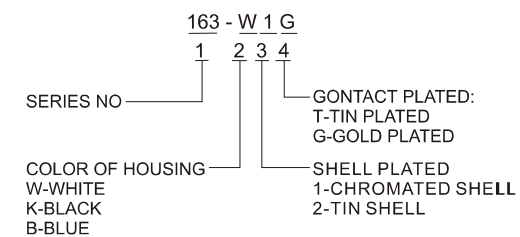
Voltage: AC 500V For 1 minute
Operating Temperature: -55° C--+105° C
Contact: Brass
Housing: PBT &30% Glass Fiber(UL 94V-0)



163 series

DVI PLUG 24+1 (JDB-241)

How To Order

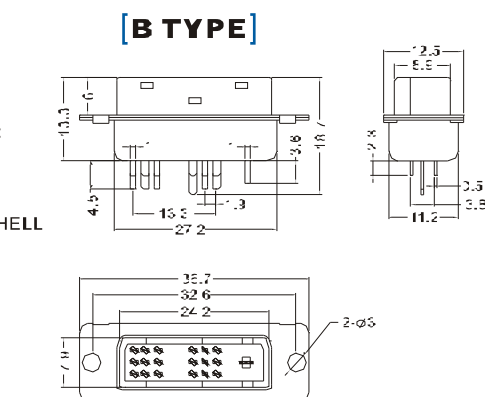
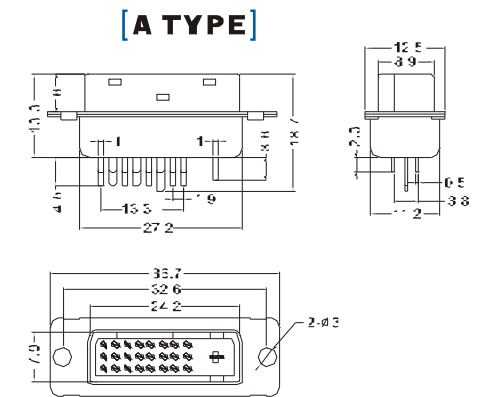


Specifications:

Contact Resistance: 30mΩ max
Insulator Resistance: 1000MΩ min. at DC 500V
Current Rating: 3AMP

Dielectric Withstanding:

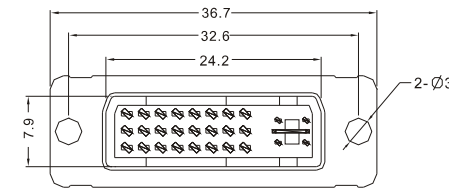
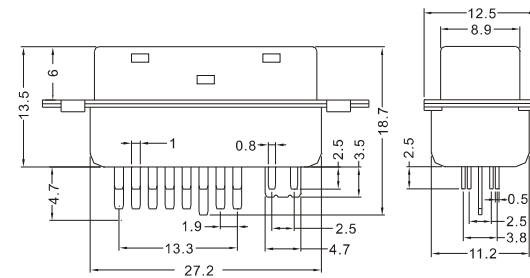
Voltage: AC 1000V For 1 minute
Contact: Brass
Housing: PBT &30% Glass Fiber(UL 94V-0)



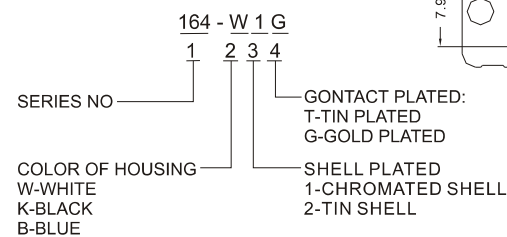


164 series

DVI PLUG 24+5(JDB-245)



How To Order



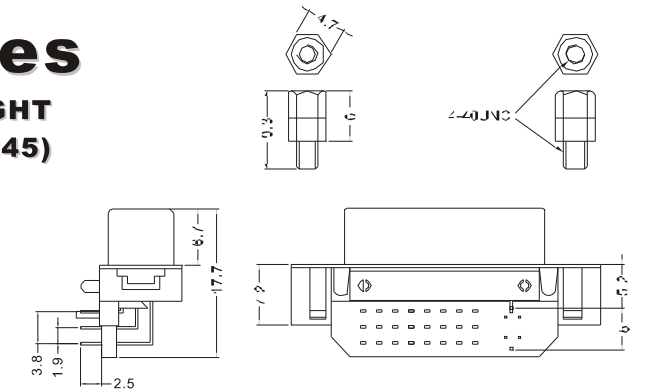
Specifications:
Contact Resistance: 30m Ω max
Insulator Resistance: 1000M Ω min.at DC 500V
Current Rating: 3AMP

Dielectric Withstanding:
Voltage: AC 1000V For 1 minute
Contact: Brass
Housing: PBT &30% Glass Fiber(UL 94V-0)

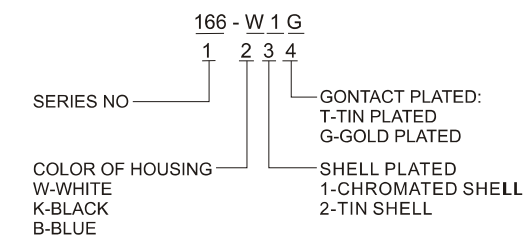


166 series

DVI PLUG WITH RIGHT ANGLE 24+5(JDR-245)



How To Order



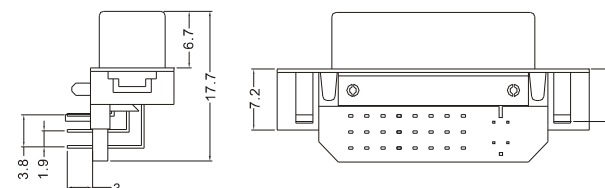
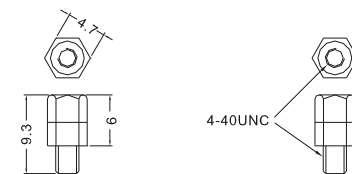
Specifications:
Contact Resistance: 30m Ω max
Insulator Resistance: 1000M Ω min.at DC 500V
Current Rating: 3AMP

Dielectric Withstanding:
Voltage: AC 1000V For 1 minute
Contact: Brass
Housing: PBT &30% Glass Fiber(UL 94V-0)

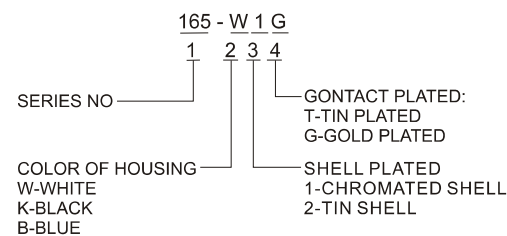


165 series

DVI PLUG WITH RIGHT ANGLE 24+1(JDR-241)

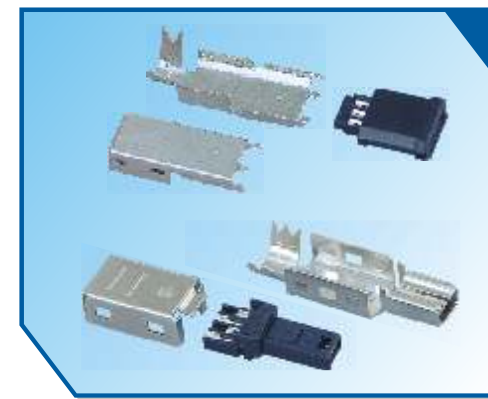


How To Order



Specifications:
Contact Resistance: 30m Ω max
Insulator Resistance: 1000M Ω min.at DC 500V
Current Rating: 3AMP

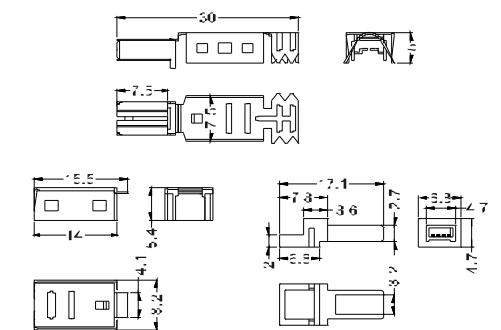
Dielectric Withstanding:
Voltage: AC 1000V For 1 minute
Contact: Brass
Housing: PBT &30% Glass Fiber(UL 94V-0)



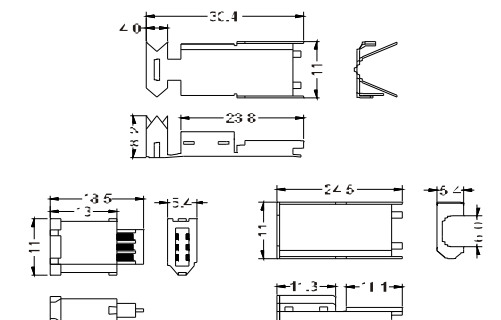
169 series

IEEE 1394 MALE SOLDER

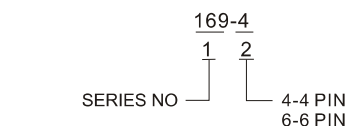
[4 PIN]



[6 PIN]



How To Order



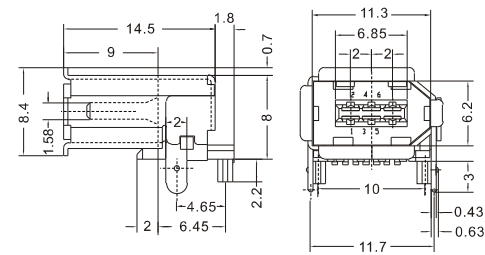
Specifications:
Contact Resistance: 10m Ω max.
Insulator Resistance: 500M Ω min.at DC 500V
Current Rating: 24V DC 1AMP max

Dielectric Withstanding:
Voltage: AC 500V For 1 minute
Contact: Brass
Housing: PBT &30% Glass Fiber(UL 94V-0)

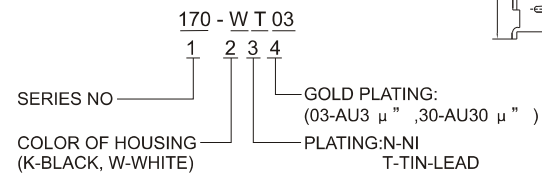


170 series

IEEE 1394 6PIN CONN.SMT
TYPE (JEM-6)



How To Order



Specifications:

Contact Resistance: 2m Ω max
Insulator Resistance: 1000M Ω min.at DC 500V
Current Rating: 2AMP
Voltage Rating: 30V AC

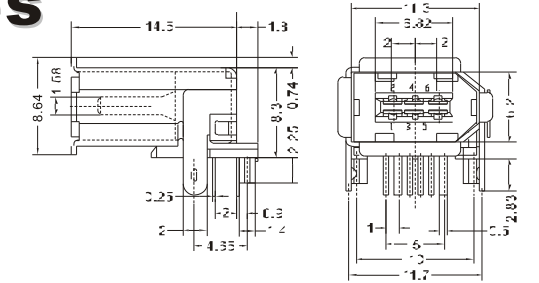
Dielectric Withstanding:

Voltage: AC 500V For 1 minute
Contact: Copper Alloy
Housing: Thermoplastic(UL 94V-0)

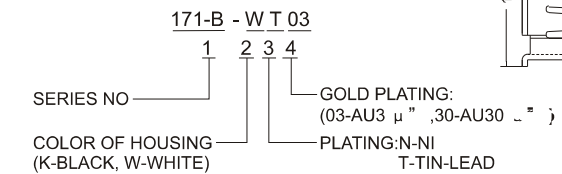


171-B series

IEEE 1394 6PIN CONN.DIP
TYPE (JER-6)



How To Order



Specifications:

Contact Resistance: 2m Ω max
Insulator Resistance: 1000M Ω min.at DC 500V
Current Rating: 2AMP
Voltage Rating: 30V AC

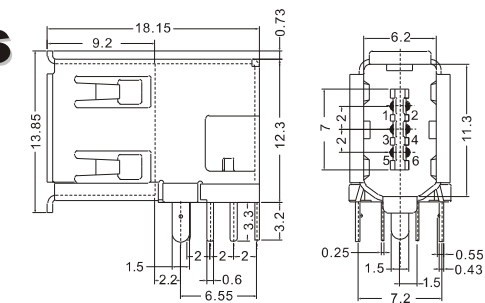
Dielectric Withstanding:

Voltage: AC 500V For 1 minute
Contact: Copper Alloy
Housing: Thermoplastic(UL 94V-0)

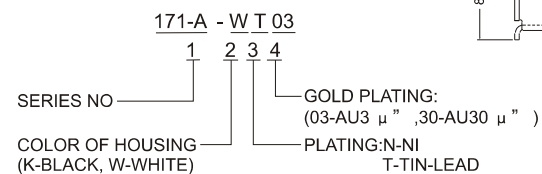


171-A series

IEEE 1394 6PIN CONN.DIP
TYPE (JER-6S)



How To Order



Specifications:

Contact Resistance: 2m Ω max
Insulator Resistance: 1000M Ω min.at DC 500V
Current Rating: 2AMP
Voltage Rating: 30V AC

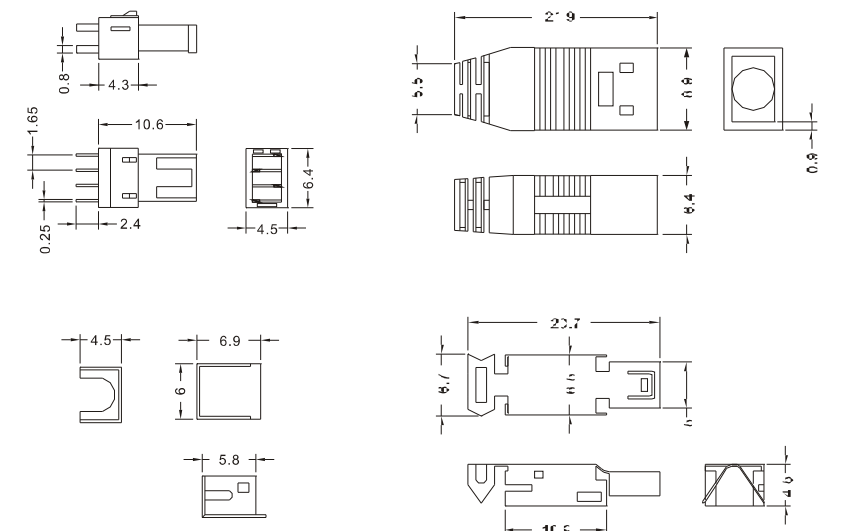
Dielectric Withstanding:

Voltage: AC 500V For 1 minute
Contact: Copper Alloy
Housing: Thermoplastic(UL 94V-0)



172 series

MINI USB-A MALE 4PIN
SOLDER



Specifications:

Contact Resistance: 10m Ω max.
Insulator Resistance: 500M Ω min.at DC 500V
Current Rating: 24V DC 1AMP max

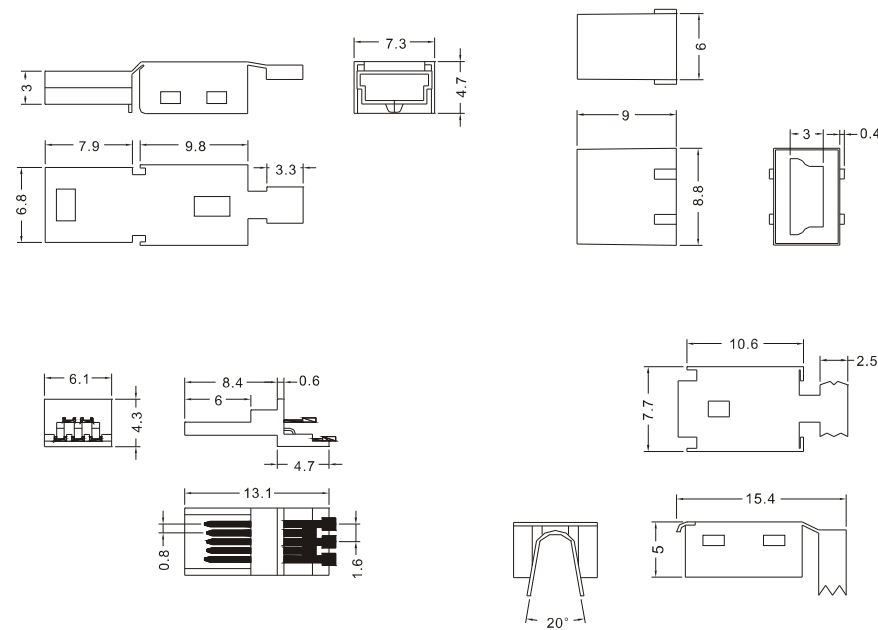
Dielectric Withstanding:

Voltage: AC 500V For 1 minute
Contact: Brass
Housing: PBT &30% Glass Fiber(UL 94V-0)



173 series

MINI USB-A MALE
5PIN SOLDER

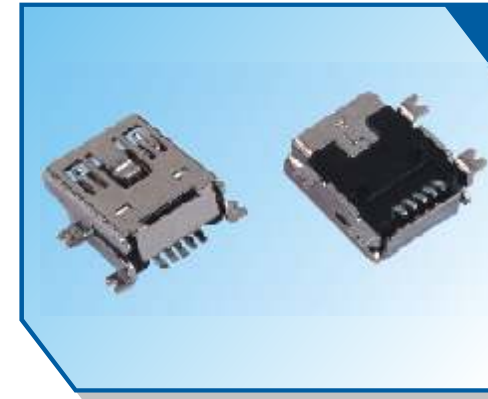


Specifications:

Contact Resistance: 10mΩ max.
Insulator Resistance: 500MΩ min.at DC 500V
Current Rating: 24V DC 1AMP max

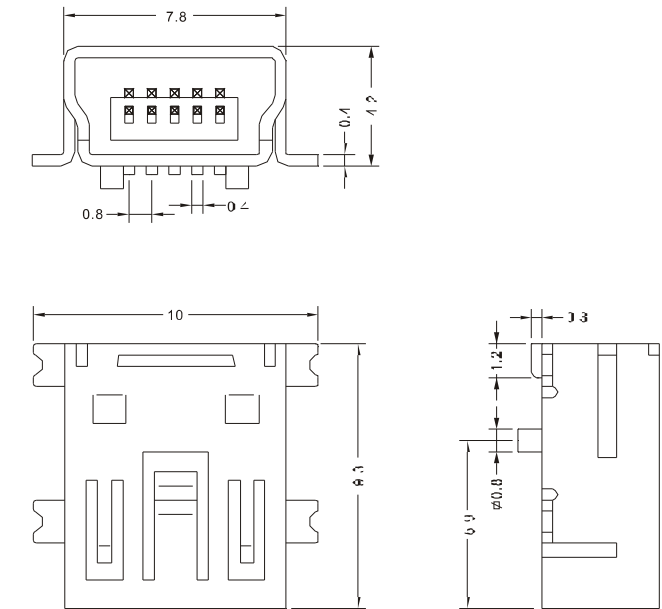
Dielectric Withstanding:

Voltage: AC 500V For 1 minute
Contact: Brass
Housing: PBT &30% Glass Fiber(UL 94V-0)



175 series

MINI USB-A FEMALE 5PIN
SMT & DIP



Specifications:

Contact Resistance: 10mΩ max.
Insulator Resistance: 500MΩ min.at DC 500V
Current Rating: 24V DC 1AMP max

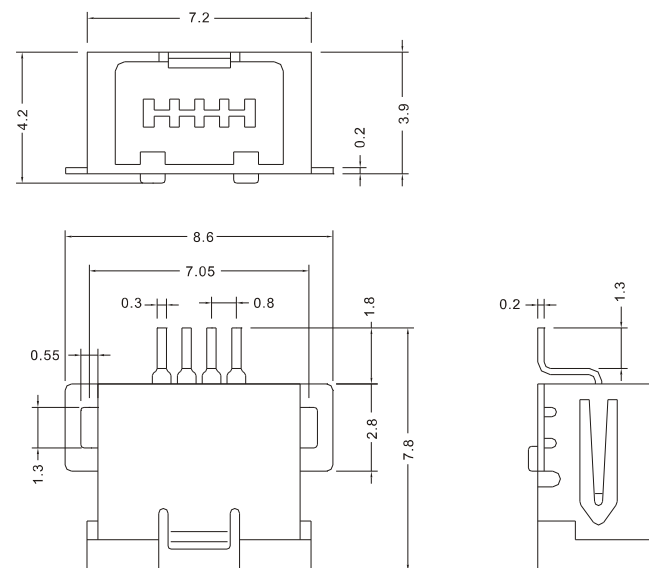
Dielectric Withstanding:

Voltage: AC 500V For 1 minute
Contact: Brass
Housing: PBT &30% Glass Fiber(UL 94V-0)



174 series

MINI USB-A FEMALE 4PIN
SMT & DIP

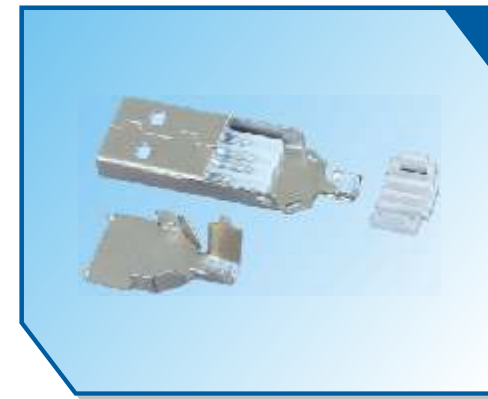


Specifications:

Contact Resistance: 10mΩ max.
Insulator Resistance: 500MΩ min.at DC 500V
Current Rating: 24V DC 1AMP max

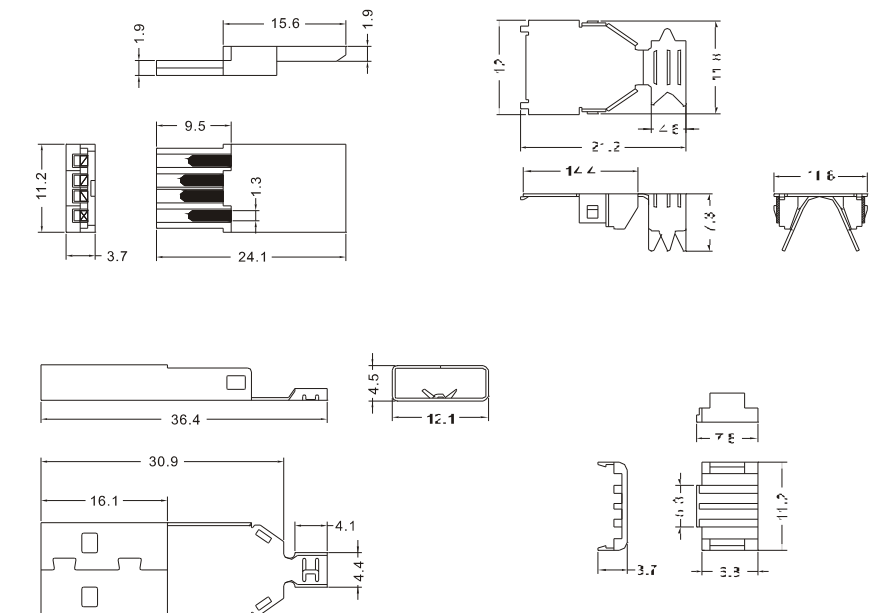
Dielectric Withstanding:

Voltage: AC 500V For 1 minute
Contact: Brass
Housing: PBT &30% Glass Fiber(UL 94V-0)



176 series

USB-A MALE SOLDER



Specifications:

Contact Resistance: 10mΩ max.
Insulator Resistance: 500MΩ min.at DC 500V
Current Rating: 24V DC 1AMP max

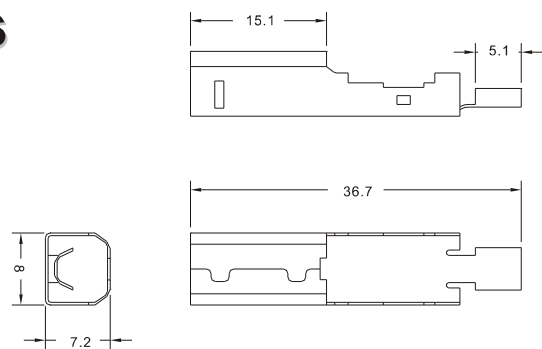
Dielectric Withstanding:

Voltage: AC 500V For 1 minute
Contact: Brass
Housing: PBT &30% Glass Fiber(UL 94V-0)



177 series

USB-B MALE SOLDER

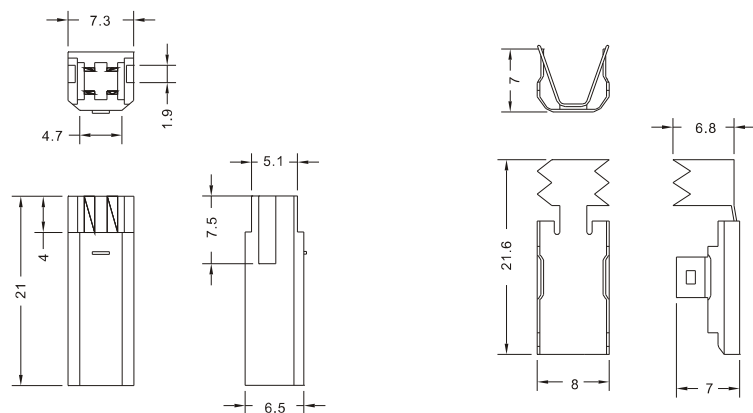


Specifications:

Contact Resistance: 10mΩ max.
 Insulator Resistance: 500MΩ min.at DC 500V
 Current Rating: 24V DC 1AMP max

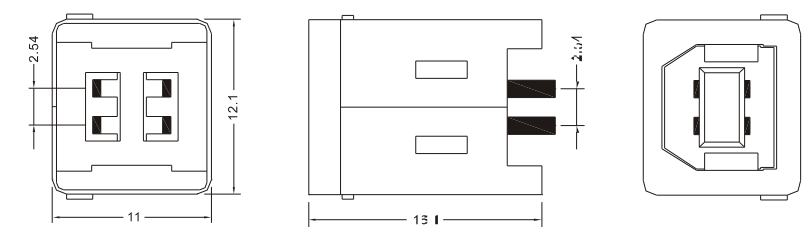
Dielectric Withstanding:

Voltage: AC 500V For 1 minute
 Contact: Brass
 Housing: PBT &30% Glass Fiber(UL 94V-0)



179 series

USB-B FEMALE SOLDER



Specifications:

Contact Resistance: 10mΩ max.
 Insulator Resistance: 500MΩ min.at DC 500V
 Current Rating: 24V DC 1AMP max

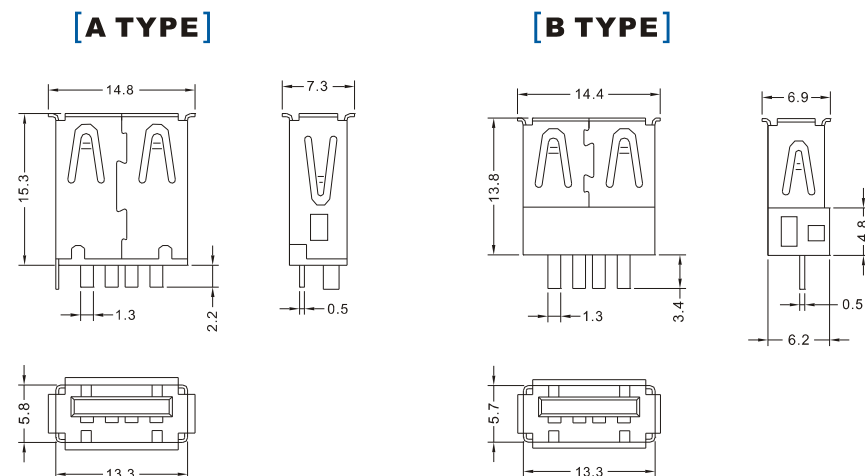
Dielectric Withstanding:

Voltage: AC 500V For 1 minute
 Contact: Brass
 Housing: PBT &30% Glass Fiber(UL 94V-0)



178 series

USB-A FEMALE SOLDER

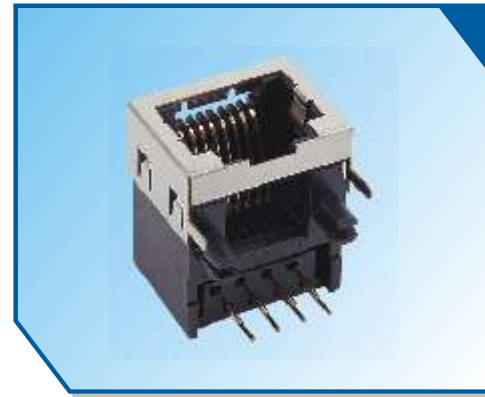


Specifications:

Contact Resistance: 10mΩ max.
 Insulator Resistance: 500MΩ min.at DC 500V
 Current Rating: 24V DC 1AMP max

Dielectric Withstanding:

Voltage: AC 500V For 1 minute
 Contact: Brass
 Housing: PBT &30% Glass Fiber(UL 94V-0)



180 series

TELEPHONE JACK (8P8)

How To Order

180 - W T 03

SERIES NO: 1 2 3 4

COLOR OF HOUSING (K-BLACK, W-WHITE)

GOLD PLATING: (03-AU3 μ", 30-AU30 μ")

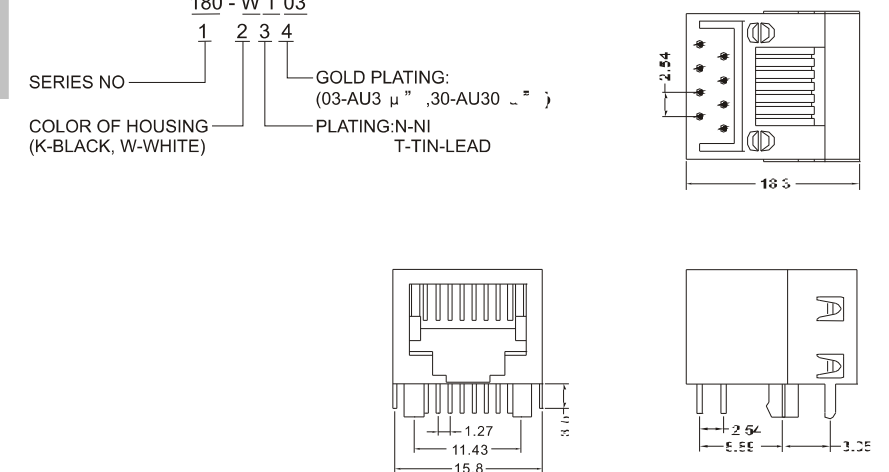
PLATING: N-NI T-TIN-LEAD

Specifications:

Contact Resistance: 2mΩ max
 Insulator Resistance: 500MΩ min.at DC 500V
 Current Rating: 24V DC 3AMP max

Dielectric Withstanding:

Voltage: AC 500V For 1 minute
 Contact: Phosphor Bronze
 Housing: PBT&30% Glass Fiber(UL 94V-0)



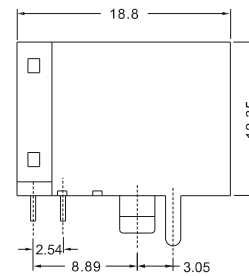
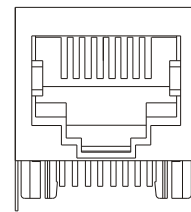
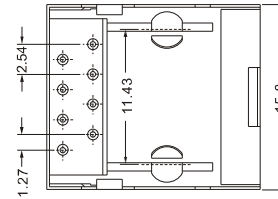


181 series

TELEPHONE JACK (8P8)

How To Order

181 - W T 03
 1 2 3 4
 SERIES NO. ————
 COLOR OF HOUSING (K-BLACK, W-WHITE)
 GOLD PLATING: (03-AU3 μ" ,30-AU30 μ")
 PLATING: N-NI T-TIN-LEAD



Specifications:

Contact Resistance: 2m Ω max
 Insulator Resistance: 500M Ω min.at DC 500V
 Current Rating: 24V DC 3AMP max

Dielectric Withstanding:

Voltage: AC 500V For 1 minute
 Contact: Phosphor Bronze
 Housing: PBT&30% Glass Fiber(UL 94V-0)

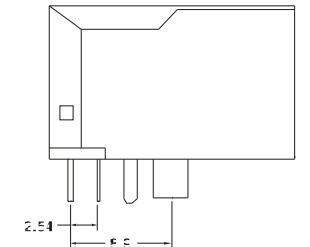
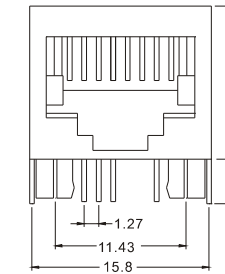
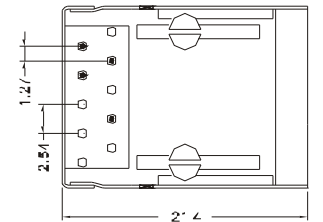


183 series

TELEPHONE JACK (8P4)

How To Order

183 - W T 03
 1 2 3 4
 SERIES NO. ————
 COLOR OF HOUSING (K-BLACK, W-WHITE)
 GOLD PLATING: (03-AU3 μ" ,30-AU30 μ")
 G-GOLD PLATED
 PLATING: N-NI T-TIN-LEAD



Specifications:

Contact Resistance: 2m Ω max
 Insulator Resistance: 500M Ω min.at DC 500V
 Current Rating: 24V DC 3AMP max

Dielectric Withstanding:

Voltage: AC 500V For 1 minute
 Contact: Phosphor Bronze
 Housing: PBT&30% Glass Fiber(UL 94V-0)

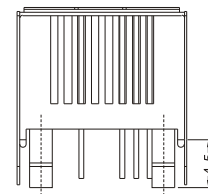
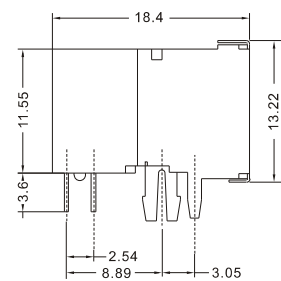
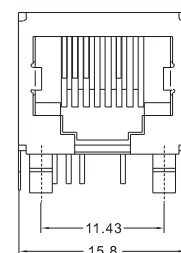


182 series

TELEPHONE JACK (8P4)

How To Order

182 - W T 03
 1 2 3 4
 SERIES NO. ————
 COLOR OF HOUSING (K-BLACK, W-WHITE)
 GOLD PLATING: (03-AU3 μ" ,30-AU30 μ")
 PLATING: N-NI T-TIN-LEAD



Specifications:

Contact Resistance: 2m Ω max
 Insulator Resistance: 500M Ω min.at DC 500V
 Current Rating: 24V DC 3AMP max

Dielectric Withstanding:

Voltage: AC 500V For 1 minute
 Contact: Phosphor Bronze
 Housing: PBT&30% Glass Fiber(UL 94V-0)

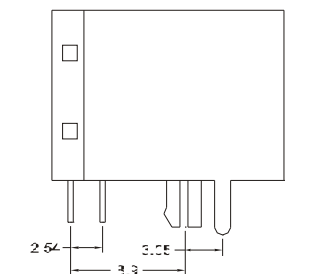
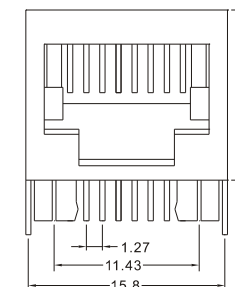
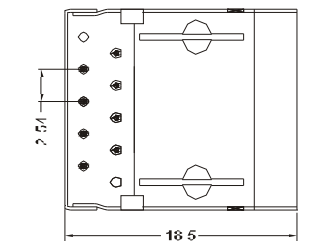


184 series

TELEPHONE JACK (10P8)

How To Order

184 - W T 03
 1 2 3 4
 SERIES NO. ————
 COLOR OF HOUSING (K-BLACK, W-WHITE)
 GOLD PLATING: (03-AU3 μ" ,30-AU30 μ")
 PLATING: N-NI T-TIN-LEAD



Specifications:

Contact Resistance: 2m Ω max
 Insulator Resistance: 500M Ω min.at DC 500V
 Current Rating: 24V DC 3AMP max

Dielectric Withstanding:

Voltage: AC 500V For 1 minute
 Contact: Phosphor Bronze
 Housing: PBT&30% Glass Fiber(UL 94V-0)



185 series

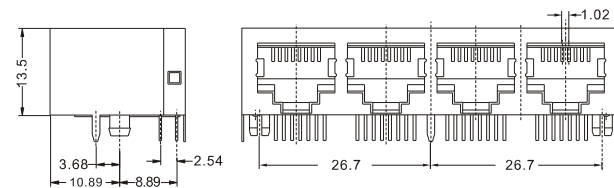
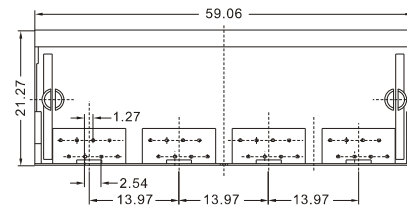
TELEPHONE JACK (JAC-10P8*4-5F)

Specifications:

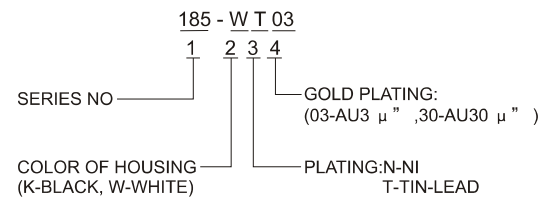
Contact Resistance: $2m\ \Omega$ max
 Insulator Resistance: $500M\ \Omega$ min.at DC 500V
 Current Rating: 24V DC 3AMP max

Dielectric Withstanding:

Voltage: AC 500V For 1 minute
 Contact: Phosphor Bronze
 Housing: PBT&30% Glass Fiber(UL 94V-0)



How To Order



187 series

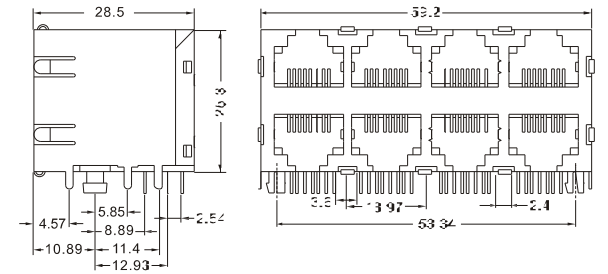
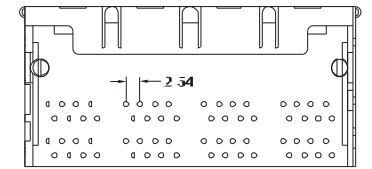
TELEPHONE JACK (JAA-2*10P8*4)

Specifications:

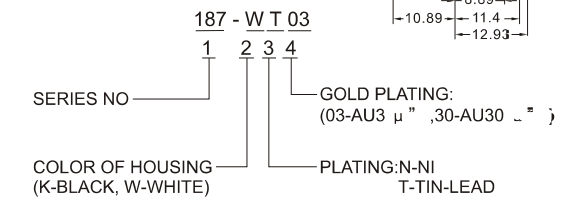
Contact Resistance: $2m\ \Omega$ max
 Insulator Resistance: $500M\ \Omega$ min.at DC 500V
 Current Rating: 24V DC 3AMP max

Dielectric Withstanding:

Voltage: AC 500V For 1 minute
 Contact: Phosphor Bronze
 Housing: PBT&30% Glass Fiber(UL 94V-0)



How To Order



186 series

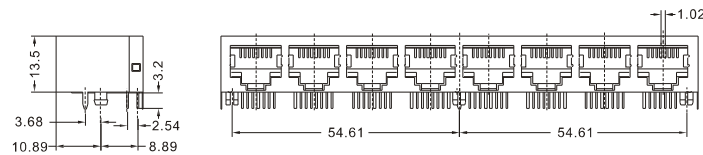
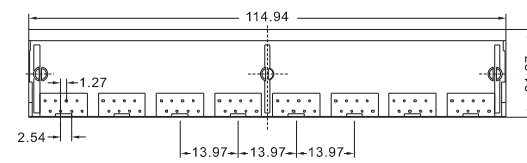
TELEPHONE JACK (JAA-10P8*8-5F)

Specifications:

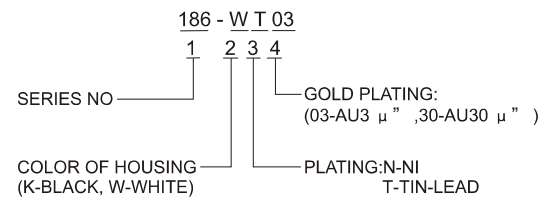
Contact Resistance: $2m\ \Omega$ max
 Insulator Resistance: $500M\ \Omega$ min.at DC 500V
 Current Rating: 24V DC 3AMP max

Dielectric Withstanding:

Voltage: AC 500V For 1 minute
 Contact: Phosphor Bronze
 Housing: PBT&30% Glass Fiber(UL 94V-0)



How To Order



188 series

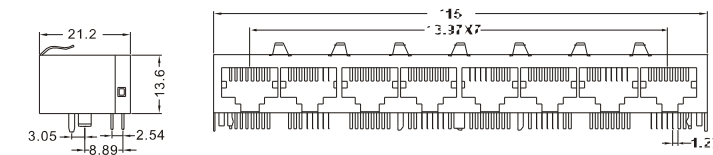
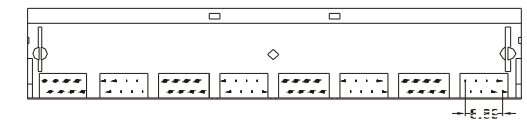
TELEPHONE JACK (JAA-10P8*8-5F/10)

Specifications:

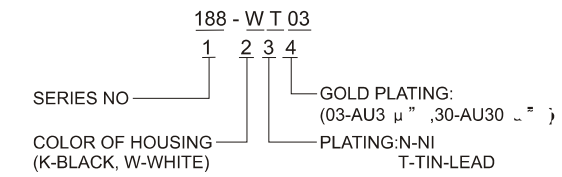
Contact Resistance: $2m\ \Omega$ max
 Insulator Resistance: $500M\ \Omega$ min.at DC 500V
 Current Rating: 24V DC 3AMP max

Dielectric Withstanding:

Voltage: AC 500V For 1 minute
 Contact: Phosphor Bronze
 Housing: PBT &30% Glass Fiber(UL 94V-0)



How To Order

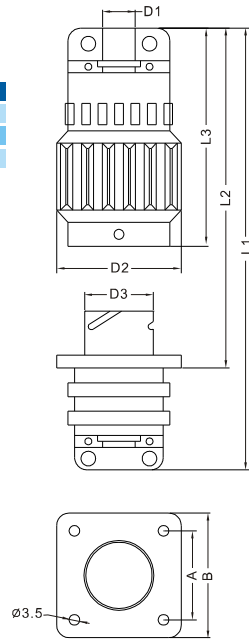




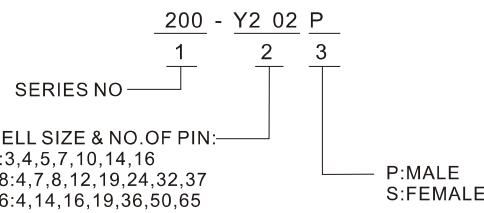
200 series

CONNECTOR

| Type | A | B | D1 | D2 | D3 | L1 | L2 | L3 |
|------|-------|----|-----|-----|-------|-----|----|----|
| Y2 | 22-24 | 31 | Φ12 | Φ31 | Φ22.7 | 79 | 51 | 45 |
| Y28 | 28 | 38 | Φ18 | Φ38 | Φ28.7 | 88 | 56 | 49 |
| Y36 | 36 | 46 | Φ26 | Φ46 | Φ36.7 | 108 | 67 | 60 |



How To Order



Service environmental condition:

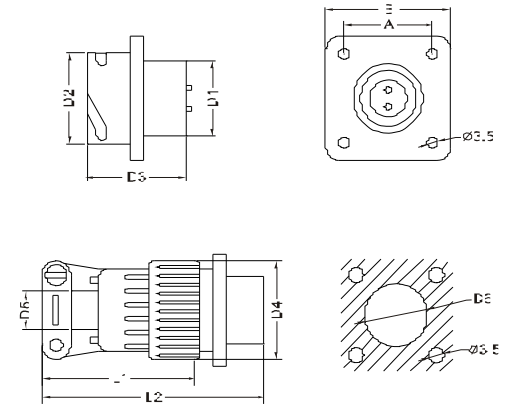
Working temperature: -40°C--+85°C
 Atmospheric pressure: 101.33kPa--6.67Pa
 Relative humidity: temperature is 40degrees centigrade reach92--98%
 Vibration: 10--2500Hz acceleration 196m/s²
 Collision: acceleration 392m/s²
 Mechanical life-span: 500times



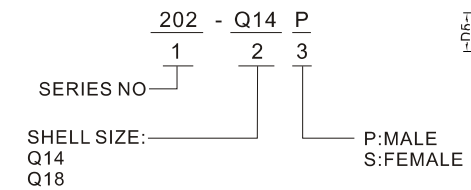
202 series

CONNECTOR

| Type | A | B | D1 | D2 | D3 | D4 | D5 | D6 | L1 | L2 |
|------|----|----|-----|-------|------|----|-----|-----|------|------|
| Q14 | 17 | 24 | Φ14 | Φ16.8 | 23 | 21 | Φ5 | Φ14 | 40 | 39 |
| Q18 | 20 | 27 | Φ18 | Φ21.2 | 21.5 | 27 | Φ12 | Φ18 | 40.5 | 56.5 |



How To Order



Service environmental condition:

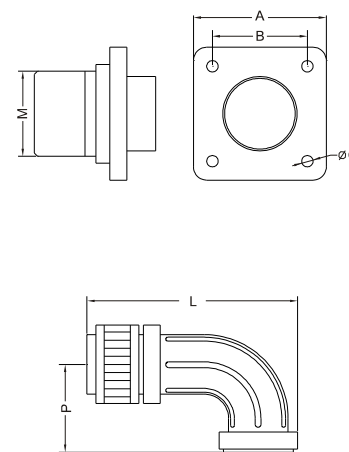
Working temperature: -55°C--+85°C
 Atmospheric pressure: 1kPa
 Relative humidity: temperature is 40degrees centigrade reach98%
 Vibration: 10--2000Hz acceleration 150m/s²
 Collision: acceleration 500m/s²
 Mechanical life-span: 500times



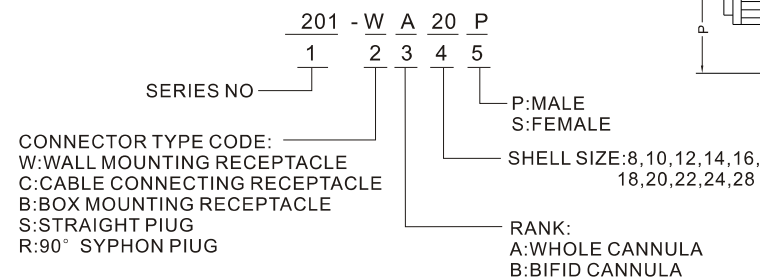
201 series

CONNECTOR

| Type | A | B | C | M | P | L |
|------|------|-------|------|------------------|-------|-------|
| 8 | | | | | 23.77 | 44.45 |
| 10 | 25.4 | 18.26 | 3.05 | 5/16-24 UNEF 2A | 25.4 | 44.45 |
| 12 | 27.8 | 20.62 | 3.05 | 3/8-24 UNEF 2A | 26.97 | 50.8 |
| 14 | 30.2 | 23.01 | 3.05 | 7/16-24 UNEF 2A | 28.57 | 53.97 |
| 16 | 32.5 | 24.61 | 3.05 | 1-20 UNEF 2A | 30.17 | 60.32 |
| 18 | 34.9 | 26.97 | 3.05 | 1 1/8-18 UNEF 2A | 33.32 | 68.27 |
| 20 | 38.1 | 29.36 | 3.05 | 1 1/4-18 UNEF 2A | 34.92 | 76.98 |
| 22 | 41.3 | 31.75 | 3.05 | 1 3/8-18 UNEF 2A | 34.92 | 86.51 |
| 24 | 44.5 | 34.93 | 3.73 | 1 1/2-18 UNEF 2A | 39.67 | 86.51 |
| 28 | 50.8 | 39.67 | 3.73 | 1 3/4-18 UNEF 2A | 39.67 | 93.98 |



How To Order



Service environmental condition:

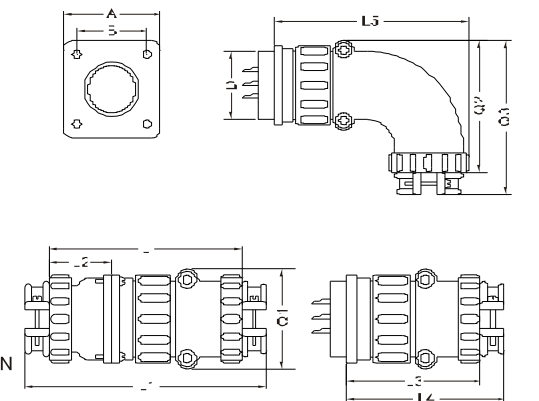
Working temperature: 55°C--+125°C
 Withstanding voltage: 2KV
 Operating voltage: AC500V DV700V
 Mechanical life-span: 500times



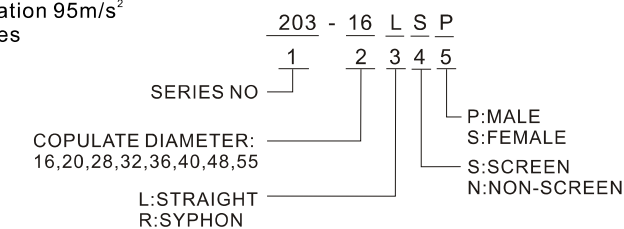
203 series

CONNECTOR

| Type | A | B | D | L | L1 | L2 | L3 | L4 | L5 | Q1 | Q2 | Q3 |
|------|----|----|----|-----|-----|----|----|----|-----|------|----|----|
| 16 | 25 | 19 | 16 | 86 | 106 | 28 | 53 | 68 | 64 | 28.5 | 40 | 50 |
| 20 | 30 | 22 | 20 | 92 | 114 | 32 | 60 | 71 | 71 | 33 | 48 | 58 |
| 28 | 38 | 30 | 28 | 100 | 128 | 36 | 64 | 78 | 81 | 43 | 52 | 62 |
| 32 | 40 | 32 | 32 | 106 | 134 | 40 | 65 | 80 | 81 | 52 | 62 | 72 |
| 36 | 42 | 34 | 36 | 112 | 140 | 42 | 70 | 84 | 84 | 54 | 64 | 74 |
| 40 | 48 | 40 | 40 | 114 | 142 | 42 | 72 | 88 | 88 | 60 | 72 | 82 |
| 48 | 58 | 48 | 48 | 118 | 146 | 44 | 74 | 92 | 92 | 63 | 74 | 84 |
| 55 | 64 | 52 | 55 | 118 | 146 | 44 | 74 | 98 | 106 | 74 | 86 | 96 |



How To Order



Service environmental condition:

Working temperature: -60°C--+50°C
 Relative humidity: temperature is 40degrees centigrade reach95%
 Vibration: 10--200Hz acceleration 95m/s²
 Mechanical life-span: 500times