

TERMINAL BLOCK

XINYA ELECTRONIC CABLE CO.,LTD.





TERMINAL BLOCK



Established in 1992, CIXI XINYA ELECTRONIC CABLE CO., LTD. is a Sino-Foreign joint venture enterprise, which is located at Yangze River Delta center and is close to Ningbo and Shanghai harbor. Covering an area of 30000m² and construction area of 25000m², it specializes in producing terminal block, connector and networking cable etc. Now the company has more than 800 employees and 100 professionals. We are passionately committed to deliver innovative products to our customers in order to build a brighter and sustainable future.

Scientific design, advanced high precision processing equipments and high quality operators make products with high quality. It has set up a complete set of after-sale service system when it pursues high quality products, which obtains admiration and recommendation from domestic and overseas traveling traders.

The company has more than 100 types of precision work equipment; 20 pieces of process and auto-assembly lines and adopts advanced mechanization and perfect technology. Moreover, we also have got the approval of UL, VDE and CE for most of the products. Our sales network covers more than 60 countries and regions.

Our company persists on the business purpose, based on quality, won by price and it pays attentions to corporate image. It develops friendly cooperative relations with domestic and foreign traders wholeheartedly and creates brilliance together.

We look forward to building a good relations with you and creating glorious future together.

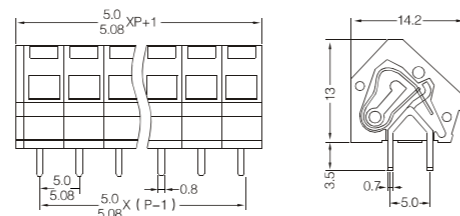
XY111A(5.0) XY111B(5.08)

Poles: Any poles
Pitch: 5.0mm & 7.5mm & 10.0mm
5.08mm & 7.62mm & 10.16mm



Voltage Rating: 300V
Current Rating: 15A
Wire range: 28-12AWG 2.5mm²
Housing: PA66(UL 94V-0)
Solder Pin: Brass, Tin Plated
Clamping: Stainless steel

额定电压: 300V
额定电流: 15A
使用线径: 28-12AWG 2.5mm²
塑件材料: 尼龙66 (UL 94V-0)
触点材料: 黄铜, 镀锡
弹片: 不锈钢



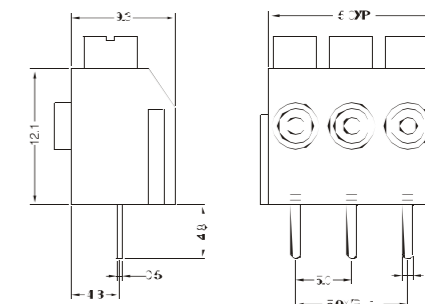
XY118

Poles: 2P & 3P
Pitch: 5.0mm



Voltage Rating: 300V
Current Rating: 8A
Wire range: 22-18AWG 1.0mm²
Housing: PBT(UL 94V-0)
Solder Pin: Brass, Tin Plated
Clamping: Stainless steel

额定电压: 300V
额定电流: 8A
使用线径: 22-18AWG 1.0mm²
塑件材料: PBT (UL 94V-0)
触点材料: 黄铜, 镀锡
弹片: 不锈钢



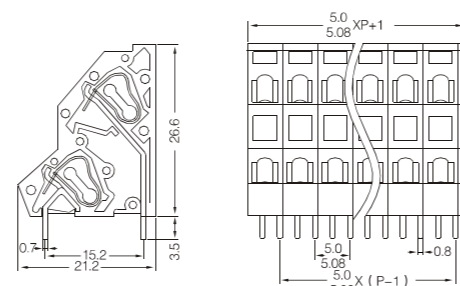
XY112A(5.0) XY112B(5.08)

Poles: Any poles
Pitch: 5.0mm & 7.5mm & 10.0mm
5.08mm & 7.62mm & 10.16mm



Voltage Rating: 300V
Current Rating: 15A
Wire range: 28-12AWG 2.5mm²
Housing: PA66(UL 94V-0)
Solder Pin: Brass, Tin Plated
Clamping: Stainless steel

额定电压: 300V
额定电流: 15A
使用线径: 28-12AWG 2.5mm²
塑件材料: 尼龙66 (UL 94V-0)
触点材料: 黄铜, 镀锡
弹片: 不锈钢



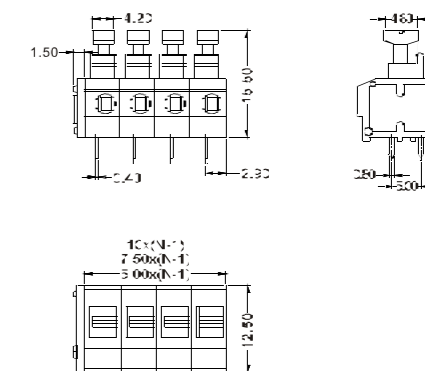
XY119A(5.0) XY119B(5.08)

Poles: Any poles
Pitch: 5.0mm & 7.5mm & 10mm
5.08mm & 7.62mm & 10.16mm



Voltage Rating: 300V
Current Rating: 8A
Wire range: 20-16AWG 1.5mm²
Housing: PA66(UL 94V-0)
Solder Pin: Brass, Tin Plated
Clamping: stainless steel

额定电压: 300V
额定电流: 8A
使用线径: 20-16AWG 1.5mm²
塑件材料: 尼龙66 (UL 94V-0)
触点材料: 黄铜, 镀锡
弹片: 不锈钢



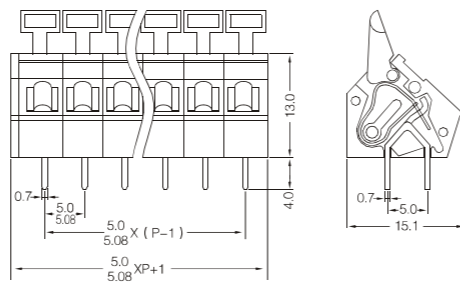
XY115A(5.0) XY115B(5.08)

Poles: Any poles
Pitch: 5.0mm & 7.5mm & 10.0mm
5.08mm & 7.62mm & 10.16mm



Voltage Rating: 300V
Current Rating: 15A
Wire range: 28-12AWG 2.5mm²
Housing: PA66(UL 94V-0)
Solder Pin: Brass, Tin Plated
Clamping: Stainless steel

额定电压: 300V
额定电流: 15A
使用线径: 28-12AWG 2.5mm²
塑件材料: 尼龙66 (UL 94V-0)
触点材料: 黄铜, 镀锡
弹片: 不锈钢



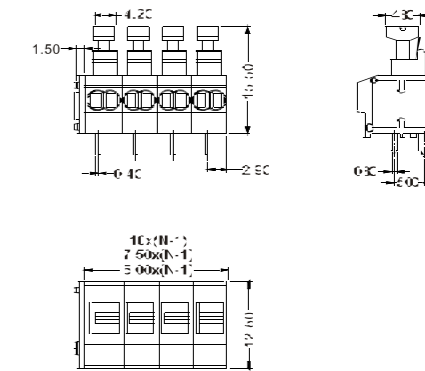
XY120A(5.0) XY120B(5.08)

Poles: Any poles
Pitch: 5.0mm & 7.5mm & 10mm
5.08mm & 7.62mm & 10.16mm



Voltage Rating: 300V
Current Rating: 5A
Wire range: 20-18AWG 2*0.75mm²
Housing: PA66(UL 94V-0)
Solder Pin: Brass, Tin Plated
Clamping: stainless steel

额定电压: 300V
额定电流: 5A
使用线径: 20-18AWG 2*0.75mm²
塑件材料: 尼龙66 (UL 94V-0)
触点材料: 黄铜, 镀锡
弹片: 不锈钢



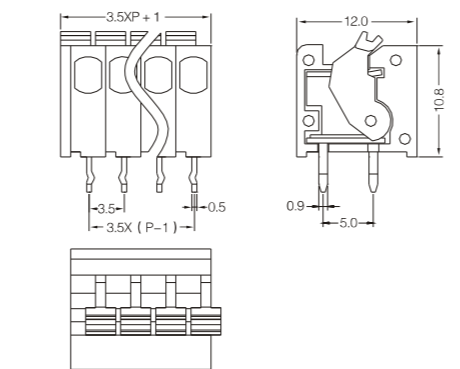
XY 116

Poles: Any poles
Pitch: 3.5mm



Voltage Rating: 300V
Current Rating: 2A
Wire range: 20-16AWG 1.5mm²
Housing: PA66(UL 94V-0)
Solder Pin: Brass, Tin Plated

额定电压: 300V
额定电流: 2A
使用线径: 20-16AWG 1.5mm²
塑件材料: 尼龙66 (UL 94V-0)
触点材料: 黄铜, 镀锡



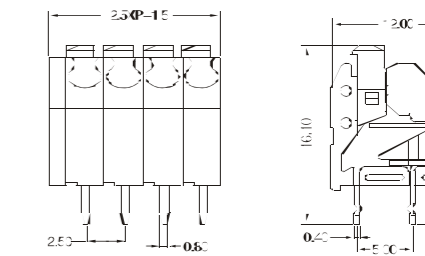
XY121A(2.5)

Poles: Any poles
Pitch: 2.5mm



Voltage Rating: 150V
Current Rating: 8A
Wire range: 22-16AWG 1.5mm²
Housing: PA66(UL 94V-0)
Solder Pin: Phosphor Bronze, Tin Plated

额定电压: 150V
额定电流: 8A
使用线径: 22-16AWG 1.5mm²
塑件材料: 尼龙66 (UL 94V-0)
触点材料: 磷青铜, 镀锡



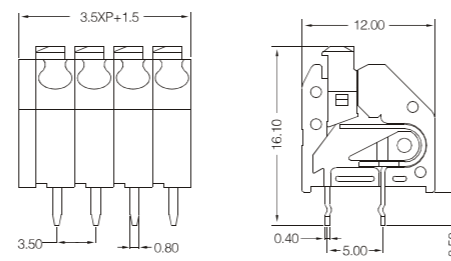
XY121B(3.5)

Poles:Any poles
Pitch: 3.5mm



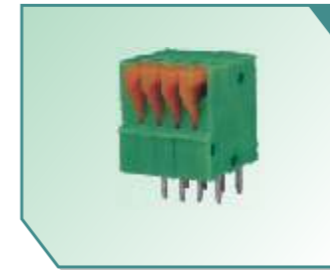
Voltage Rating: 250V
Current Rating: 8A
Wire range: 22-16AWG 1.5mm²
Housing: PA66(UL 94V-0)
Solder Pin: Phosphor Bronze,Tin Plated

额定电压: 250V
额定电流: 8A
使用线径: 22-16AWG 1.5mm²
塑件材料: 尼龙66 (UL 94V-0)
触点材料: 磷青铜, 镀锡



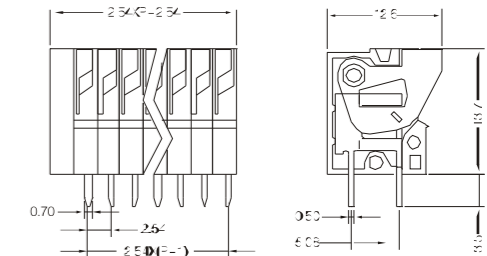
XY123V

Poles:Any poles
Pitch:2.54mm



Voltage Rating: 150V
Current Rating: 2A
Wire range: 26-20AWG 0.5mm²
Housing: PA66(UL 94V-0)
Clamping: Stainless steel
Solder Pin: Brass,Tin Plated

额定电压: 150V
额定电流: 2A
使用线径: 26-20AWG 0.5mm²
塑件: 尼龙66 (UL 94V-0)
弹片: 不锈钢
触点材料: 黄铜, 镀锡



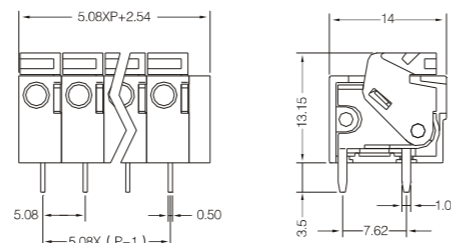
XY122R

Poles:2P&3P
Pitch:5.08mm



Voltage Rating: 250V
Current Rating: 10A
Wire range: 22-14AWG 1.5mm²
Housing: PA66(UL 94V-0)
Clamping: Stainless steel
Solder Pin: Brass,Tin Plated

额定电压: 250V
额定电流: 10A
使用线径: 22-14AWG 1.5mm²
塑件: 尼龙66 (UL 94V-0)
弹片: 不锈钢
触点材料: 黄铜, 镀锡



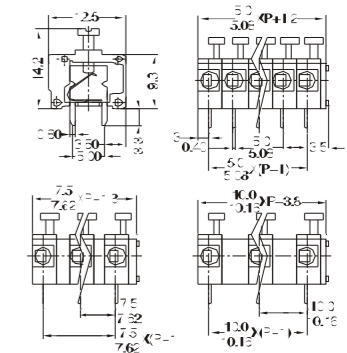
XY124V-A(5.0) XY124V-B(5.08)

Poles:Any poles
Pitch:5.0mm&7.5mm&10.0mm
5.08mm&7.62mm&10.16mm



Voltage Rating: 250V
Current Rating: 12A
Wire range: 20-14AWG 1.5mm²
Housing: PA66(UL 94V-0)
Clamping: Stainless steel
Solder Pin: Brass,Tin Plated

额定电压: 250V
额定电流: 12A
使用线径: 20-14AWG 1.5mm²
塑件: 尼龙66 (UL 94V-0)
弹片: 不锈钢
触点材料: 黄铜, 镀锡



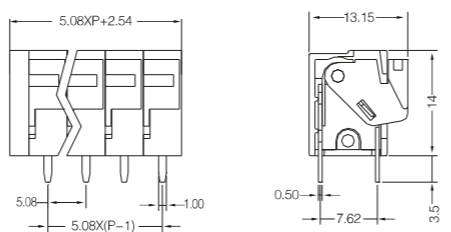
XY122V

Poles:Any poles
Pitch:5.08mm



Voltage Rating: 250V
Current Rating: 10A
Wire range: 22-14AWG 1.5mm²
Housing: PA66(UL 94V-0)
Clamping:Stainless steel
Solder Pin: Brass,Tin Plated

额定电压: 250V
额定电流: 10A
使用线径: 22-14AWG 1.5mm²
塑件: 尼龙66 (UL 94V-0)
弹片: 不锈钢
触点材料: 黄铜, 镀锡



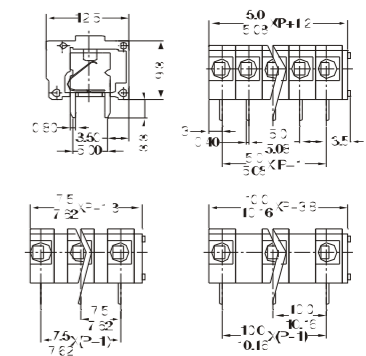
XY124V-C(5.0) XY124V-D(5.08)

Poles:Any poles
Pitch:5.0mm&7.5mm&10.0mm
5.08mm&7.62mm&10.16mm



Voltage Rating: 250V
Current Rating: 12A
Wire range: 20-14AWG 1.5mm²
Housing: PA66(UL 94V-0)
Clamping: Stainless steel
Solder Pin:Brass,Tin Plated

额定电压: 250V
额定电流: 12A
使用线径: 20-14AWG 1.5mm²
塑件: 尼龙66 (UL 94V-0)
弹片: 不锈钢
触点材料: 黄铜, 镀锡



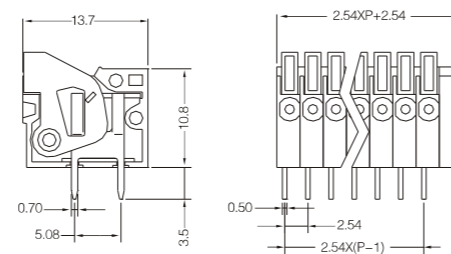
XY123R

Poles:Any poles
Pitch:2.54mm



Voltage Rating: 150V
Current Rating: 2A
Wire range: 26-20AWG 0.5mm²
Housing: PA66(UL 94V-0)
Clamping: Stainless steel
Solder Pin: Brass,Tin Plated

额定电压: 150V
额定电流: 2A
使用线径: 26-20AWG 0.5mm²
塑件: 尼龙66 (UL 94V-0)
弹片: 不锈钢
触点材料: 黄铜, 镀锡



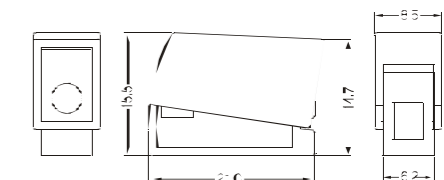
XY602

Poles:1P



Voltage Rating: 400V
Current Rating: 24A
Wire range: 22-14AWG 2.5mm²
Housing: PA66(UL 94V-0)
Solder Pin: Brass,Tin Plated
Clamping: Stainless steel

额定电压: 400V
额定电流: 24A
使用线径: 22-14AWG 2.5mm²
塑件材料: 尼龙66 (UL 94V-0)
触点材料: 黄铜, 镀锡
弹片: 不锈钢



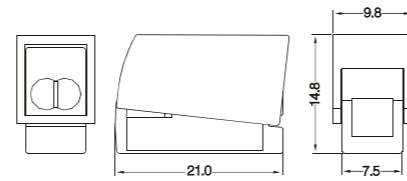
XY603

Poles: 1P



Voltage Rating: 400V
Current Rating: 24A
Wire range: 22-14AWG 2.5mm²
Housing: PA66 (UL 94V-0)
Solder Pin: Brass, Tin Plated
Clamping: Stainless steel

额定电压: 400V
额定电流: 24A
使用线径: 22-14AWG 2.5mm²
塑件材料: 尼龙66 (UL 94V-0)
触点材料: 黄铜, 镀锡
弹片: 不锈钢



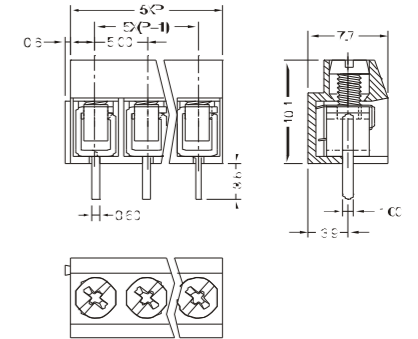
XY126V

Poles: 2P & 3P
Pitch: 5mm



Voltage Rating: 250V
Current Rating: 10A
Wire range: 26-14AWG 1.5mm²
Housing: PA66 (UL 94V-0)
Wire Protector: Stainless Steel
Solder Pin: Brass, Tin Plated
Screw: M2.5, Steel (A3), Zinc Plated
Torque: 0.4N.m

额定电压: 250V
额定电流: 10A
使用线径: 26-14AWG 1.5mm²
塑件: 尼龙66 (UL 94V-0)
压线簧片: 不锈钢
触点材料: 黄铜, 镀锡
螺丝材料: M2.5, A3钢, 镀锌
扭矩: 0.4N.m



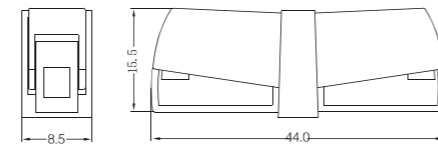
XY604

Poles: 1P



Voltage Rating: 400V
Current Rating: 24A
Wire range: 22-14AWG 2.5mm²
Housing: PA66 (UL 94V-0)
Solder Pin: Brass, Tin Plated
Clamping: Stainless steel

额定电压: 400V
额定电流: 24A
使用线径: 22-14AWG 2.5mm²
塑件材料: 尼龙66 (UL 94V-0)
触点材料: 黄铜, 镀锡
弹片: 不锈钢



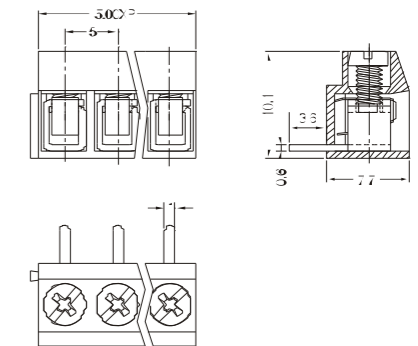
XY126R

Poles: 2P & 3P
Pitch: 5mm



Voltage Rating: 250V
Current Rating: 10A
Wire range: 26-14AWG 1.5mm²
Housing: PA66 (UL 94V-0)
Wire Protector: Stainless Steel
Solder Pin: Brass, Tin Plated
Screw: M2.5, Steel (A3), Zinc Plated
Torque: 0.4N.m

额定电压: 250V
额定电流: 10A
使用线径: 26-14AWG 1.5mm²
塑件: 尼龙66 (UL 94V-0)
压线簧片: 不锈钢
触点材料: 黄铜, 镀锡
螺丝材料: M2.5, A3钢, 镀锌
扭矩: 0.4N.m



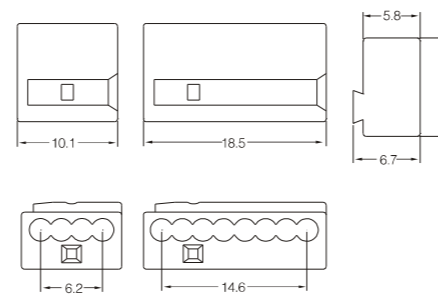
XY607

Poles: 4P & 8P
Pitch: 2.08mm



Voltage Rating: 100V
Current Rating: 4A
Wire range: 28-20AWG 0.5mm²
Housing: PA66 (UL 94V-0)
Solder Pin: Phosphor Bronze, Tin Plated

额定电压: 100V
额定电流: 4A
使用线径: 28-20AWG 0.5mm²
塑件材料: 尼龙66 (UL 94V-0)
触点材料: 磷青铜, 镀锡



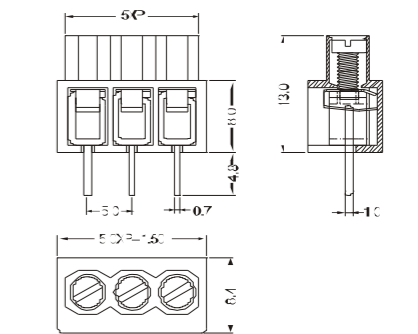
XY166

Poles: Any poles (2-24P)
Pitch: 5.0mm



Voltage Rating: 300V
Current Rating: 12A
Wire range: 18-12AWG 2.5mm²
Housing: PA66 (UL 94V-0)
Solder Pin: Brass, Tin Plated
Clamping: Stainless steel
Screw: M3.0, steel (A3), Zinc Plated
Torque: 0.5N.m

额定电压: 300V
额定电流: 12A
使用线径: 18-12AWG 2.5mm²
塑件材料: 尼龙66 (UL 94V-0)
触点材料: 黄铜, 镀锡
弹片: 不锈钢
螺丝: M3.0, A3钢, 镀锌
扭矩: 0.5N.m



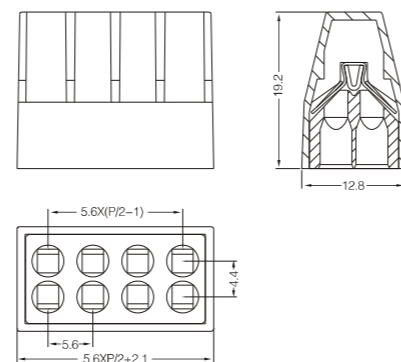
XY608

Poles: 2P, 4P, 6P, 8P
Pitch: 5.6mm



Voltage Rating: 400V
Current Rating: 24A
Wire range: 22-14AWG 2.5mm²
Housing: PA66 (UL 94V-0)
Solder Pin: Brass, Tin Plated
Clamping: Stainless steel

额定电压: 400V
额定电流: 24A
使用线径: 22-14AWG 2.5mm²
塑件材料: 尼龙66 (UL 94V-0)
触点材料: 黄铜, 镀锡
弹片: 不锈钢



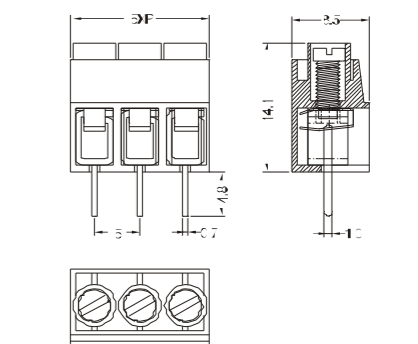
XY167V

Poles: Any poles (2-24P)
Pitch: 5.0mm



Voltage Rating: 300V
Current Rating: 15A
Wire range: 22-12AWG 2.5mm²
Housing: PA66 (UL 94V-0)
Solder Pin: Brass, Tin Plated
Clamping: Stainless steel
Screw: M2.5, steel (A3), Zinc Plated
Torque: 0.4N.m

额定电压: 300V
额定电流: 15A
使用线径: 22-12AWG 2.5mm²
塑件材料: 尼龙66 (UL 94V-0)
触点材料: 黄铜, 镀锡
弹片: 不锈钢
螺丝: M2.5, A3钢, 镀锌
扭矩: 0.4N.m



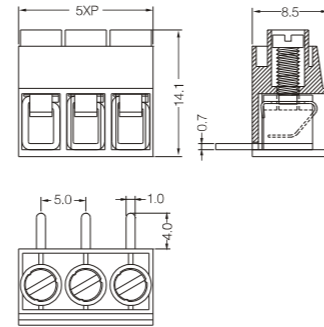
XY167R

Poles: Any poles(2-24P)
Pitch: 5.0mm



Voltage Rating: 300V
Current Rating: 15A
Wire range: 22-12AWG 2.5mm²
Housing: PA66(UL 94V-0)
Solder Pin: Brass, Tin Plated
Clamping: Stainless steel
Screw: M2.5, steel(A3), Zinc Plated
Torque: 0.4N.m

额定电压: 300V
额定电流: 15A
使用线径: 22-12AWG 2.5mm²
塑件材料: 尼龙66 (UL 94V-0)
触点材料: 黄铜, 镀锡
弹片: 不锈钢
螺丝: M2.5, A3钢, 镀锌
扭矩: 0.4N.m



XY301R-A(5.0)

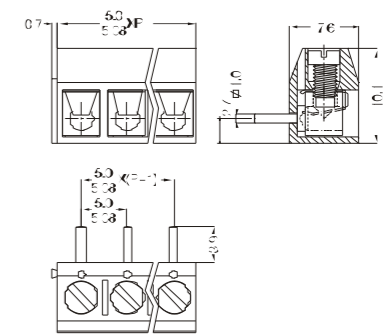
Poles: 2P&3P
Pitch: 5mm 5.08mm



XY301R-B(5.08)

Voltage Rating: 300V
Current Rating: 16A
Wire range: 22-14AWG 1.5mm²
Housing: PBT(UL 94V-0)
Wire Protector: Stainless Steel
Solder Pin: Brass, Tin Plated
Screw: M2.6, Steel(A3), Zinc Plated
Torque: 0.4N.m

额定电压: 300V
额定电流: 16A
使用线径: 22-14AWG 1.5mm²
塑件: PBT (UL 94V-0)
压线簧片: 不锈钢
触点材料: 黄铜, 镀锡
螺丝材料: M2.6, A3钢, 镀锌
扭矩: 0.4N.m



XY300V-A(5.0)

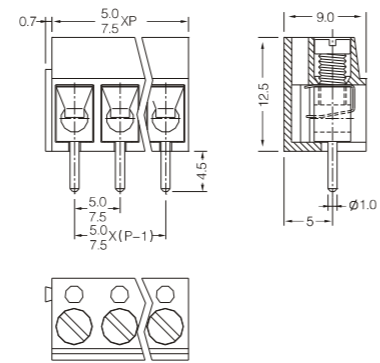
Poles: 2P&3P
Pitch: 5mm 7.5mm



XY300V-B(7.5)

Voltage Rating: 250V
Current Rating: 17.5A
Wire range: 22-14AWG 1.5mm²
Housing: PBT(UL 94V-0)
Wire Protector: Stainless Steel
Solder Pin: Brass, Tin Plated
Screw: M3, Steel(A3), Zinc Plated
Torque: 0.5N.m

额定电压: 250V
额定电流: 17.5A
使用线径: 22-14AWG 1.5mm²
塑件: PBT (UL 94V-0)
压线簧片: 不锈钢
触点材料: 黄铜, 镀锡
螺丝材料: M3, A3钢, 镀锌
扭矩: 0.5N.m



XY305A(5.0)

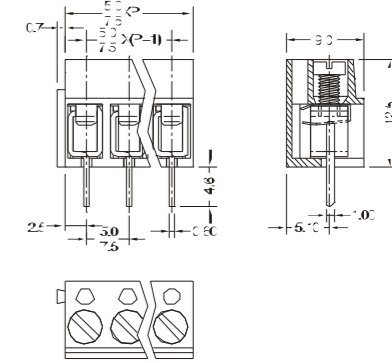
Poles: 2P&3P
Pitch: 5mm 7.5mm



XY305B(7.5)

Voltage Rating: 250V
Current Rating: 17.5A
Wire range: 22-14AWG 1.5mm²
Housing: PBT(UL 94V-0)
Wire Protector: Stainless steel
Solder Pin: Brass, Tin Plated
Screw: M2.5, Steel(A3), Zinc Plated
Torque: 0.3N.m

额定电压: 250V
额定电流: 17.5A
使用线径: 22-14AWG 1.5mm²
塑件: PBT (UL 94V-0)
压线簧片: 不锈钢
触点材料: 黄铜, 镀锡
螺丝材料: M2.5, A3钢, 镀锌
扭矩: 0.3N.m



XY300R-A(5.0)

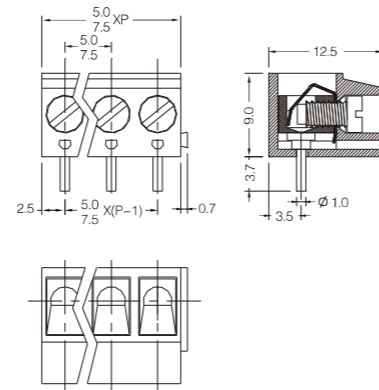
Poles: 2P&3P
Pitch: 5mm 7.5mm



XY300R-B(7.5)

Voltage Rating: 250V
Current Rating: 17.5A
Wire range: 22-14AWG 1.5mm²
Housing: PBT(UL 94V-0)
Wire Protector: Stainless Steel
Solder Pin: Brass, Tin Plated
Screw: M3, Steel(A3), Zinc Plated
Torque: 0.5N.m

额定电压: 250V
额定电流: 17.5A
使用线径: 22-14AWG 1.5mm²
塑件: PBT (UL 94V-0)
压线簧片: 不锈钢
触点材料: 黄铜, 镀锡
螺丝材料: M3, A3钢, 镀锌
扭矩: 0.5N.m



XY306A(5.0)

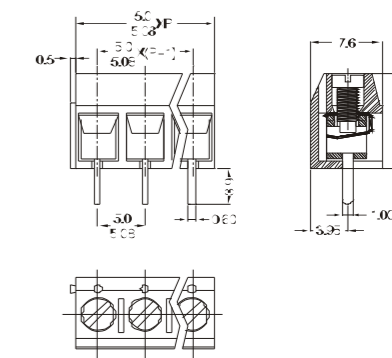
Poles: 2P&3P
Pitch: 5mm 5.08mm



XY306B(5.08)

Voltage Rating: 250V
Current Rating: 17.5A
Wire range: 22-14AWG 1.5mm²
Housing: PBT(UL 94V-0)
Wire Protector: Stainless steel
Solder Pin: Brass, Tin Plated
Screw: M2.5, Steel(A3), Zinc Plated
Torque: 0.3N.m

额定电压: 250V
额定电流: 17.5A
使用线径: 22-14AWG 1.5mm²
塑件: PBT (UL 94V-0)
压线簧片: 不锈钢
触点材料: 黄铜, 镀锡
螺丝材料: M2.5, A3钢, 镀锌
扭矩: 0.3N.m



XY301V-A(5.0)

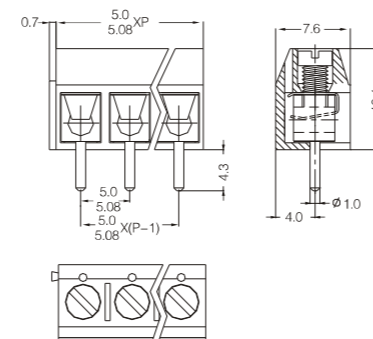
Poles: 2P&3P
Pitch: 5mm 5.08mm



XY301V-B(5.08)

Voltage Rating: 300V
Current Rating: 16A
Wire range: 22-14AWG 1.5mm²
Housing: PBT(UL 94V-0)
Wire Protector: Stainless Steel
Solder Pin: Brass, Tin Plated
Screw: M2.6, Steel(A3), Zinc Plated
Torque: 0.4N.m

额定电压: 300V
额定电流: 16A
使用线径: 22-14AWG 1.5mm²
塑件: PBT (UL 94V-0)
压线簧片: 不锈钢
触点材料: 黄铜, 镀锡
螺丝材料: M2.6, A3钢, 镀锌
扭矩: 0.4N.m



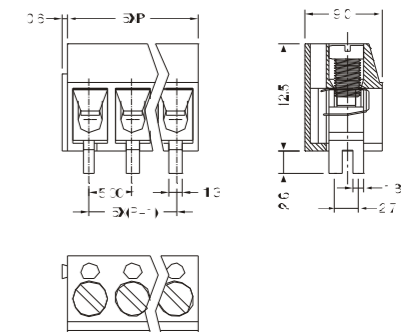
XY307

Poles: 2P & 3P
Pitch: 5mm



Voltage Rating: 250V
Current Rating: 16A
Wire range: 22-14AWG 2.5mm²
Housing: PBT(UL 94V-0)
Wire Protector: Stainless steel
Solder Pin: Brass, Tin Plated
Screw: M3.0, Steel(A3), Zinc Plated
Torque: 0.5N.m

额定电压: 250V
额定电流: 16A
使用线径: 22-14AWG 2.5mm²
塑件: PBT (UL 94V-0)
弹片: 不锈钢
触点材料: 黄铜, 镀锡
螺丝材料: M3.0, A3钢, 镀锌
扭矩: 0.5N.m



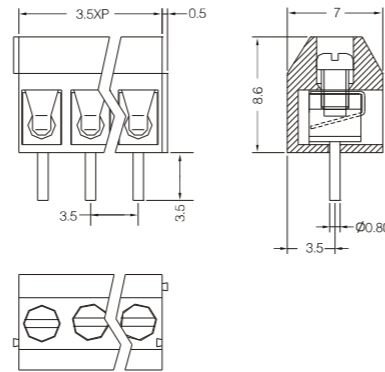
XY350

Poles: 2P & 3P
Pitch: 3.5mm



Voltage Rating: 250V
Current Rating: 10A
Wire range: 26-18AWG 1mm²
Housing: PA66(UL 94V-0)
Wire Protector: Stainless steel
Solder Pin: Brass, Tin Plated
Screw: M2.0, Steel(A3), Zinc Plated
Torque: 0.2N.m

额定电压: 250V
额定电流: 10A
使用线径: 26-18AWG 1mm²
塑件: 尼龙66 (UL 94V-0)
弹片: 不锈钢
触点材料: 黄铜, 镀锡
螺丝材料: M2.0, A3钢, 镀锌
扭矩: 0.2N.m



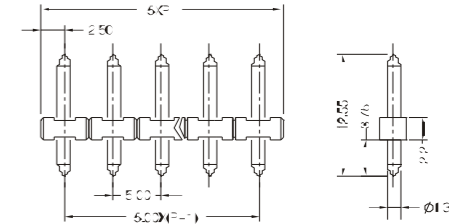
XY330V-A

Poles: Any poles(2-24P)
Pitch: 5.0mm



Voltage Rating: 250V
Current Rating: 10A
Housing: PBT(UL 94V-0)
Solder Pin: Brass, Tin Plated

额定电压: 250V
额定电流: 10A
塑件: PBT (UL 94V-0)
触点材料: 黄铜, 镀锡



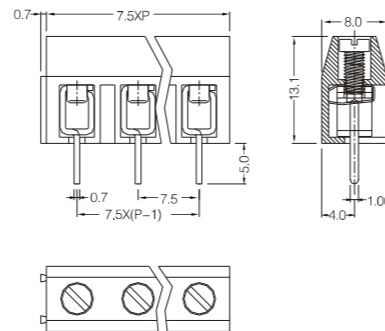
XY705V

Poles: 2P & 3P
Pitch: 7.5mm



Voltage Rating: 250V
Current Rating: 16A
Wire range: 22-14AWG 2.5mm²
Housing: PBT(UL 94V-0)
Wire Protector: Stainless steel
Solder Pin: Brass, Tin Plated
Screw: M2.5, Steel(A3), Zinc Plated
Torque: 0.4N.m

额定电压: 250V
额定电流: 16A
使用线径: 22-14AWG 2.5mm²
塑件: PBT (UL 94V-0)
弹片: 不锈钢
触点材料: 黄铜, 镀锡
螺丝材料: M2.5, A3钢, 镀锌
扭矩: 0.4N.m



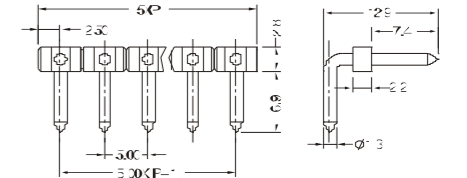
XY330R-A

Poles: Any poles(2-24P)
Pitch: 5.0mm



Voltage Rating: 250V
Current Rating: 10A
Housing: PBT(UL 94V-0)
Solder Pin: Brass, Tin Plated

额定电压: 250V
额定电流: 10A
塑件: PBT (UL 94V-0)
触点材料: 黄铜, 镀锡



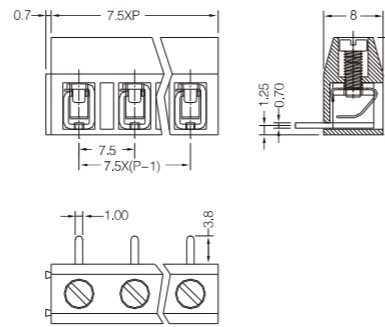
XY705R

Poles: 2P & 3P
Pitch: 7.5mm



Voltage Rating: 250V
Current Rating: 16A
Wire range: 22-14AWG 2.5mm²
Housing: PBT(UL 94V-0)
Wire Protector: Stainless steel
Solder Pin: Brass, Tin Plated
Screw: M2.5, Steel(A3), Zinc Plated
Torque: 0.4N.m

额定电压: 250V
额定电流: 16A
使用线径: 22-14AWG 2.5mm²
塑件: PBT (UL 94V-0)
弹片: 不锈钢
触点材料: 黄铜, 镀锡
螺丝材料: M2.5, A3钢, 镀锌
扭矩: 0.4N.m



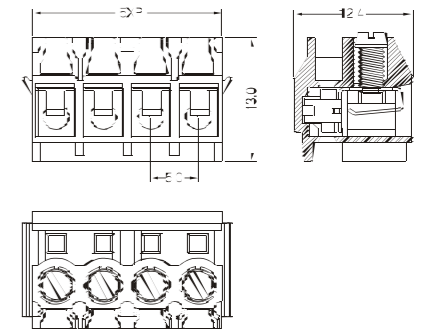
XY334

Poles: Any poles(2-24P)
Pitch: 5.0mm



Voltage Rating: 250V
Current Rating: 10A
Wire range: 22-14AWG 1.5mm²
Housing: PA66(UL 94V-0)
Wire Cage: Brass, Nickel Plated
Clamping: Phosphor Bronze, Tin Plated
Screw: M2.6, Steel(A3), Zinc Plated
Torque: 0.4N.m

额定电压: 250V
额定电流: 10A
使用线径: 22-14AWG 1.5mm²
塑件材料: 尼龙66 (UL 94V-0)
接触保护材料: 黄铜, 镀镍
弹片: 磷青铜, 镀锡
螺丝: M2.6, A3钢, 镀锌
扭矩: 0.4N.m



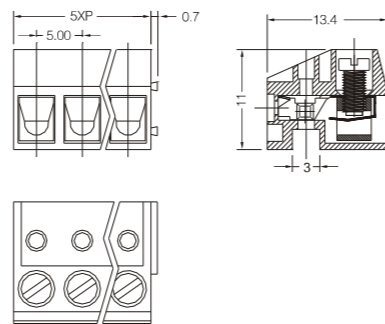
XY332

Poles: 2P & 3P
Pitch: 5mm



Voltage Rating: 250V
Current Rating: 10A
Wire range: 22-14AWG 1.5mm²
Housing: PBT(UL 94V-0)
Wire Cage: Brass, Nickel Plated
Clamp: Stainless steel
Screw: M2.6, Steel(A3), Zinc Plated
Torque: 0.4N.m

额定电压: 250V
额定电流: 10A
使用线径: 22-14AWG 1.5mm²
塑件: PBT (UL 94V-0)
接触保护材料: 黄铜, 镀镍
黄片: 不锈钢
螺丝材料: M2.6, A3钢, 镀锌
扭矩: 0.4N.m



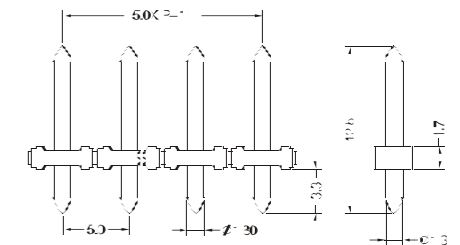
XY330V-B

Poles: Any poles(2-24P)
Pitch: 5.0mm



Voltage Rating: 250V
Current Rating: 10A
Housing: PBT (UL 94V-0)
Solder Pin: Brass, Tin Plated

额定电压: 250V
额定电流: 10A
塑件材料: PBT (UL 94V-0)
触点材料: 黄铜, 镀锡



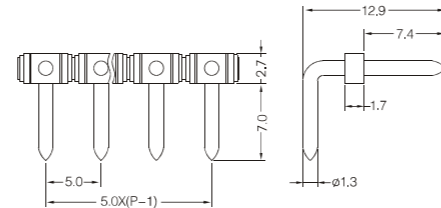
XY330R-B

Poles: Any poles(2-24P)
Pitch: 5.0mm



Voltage Rating: 250V
Current Rating: 10A
Housing: PBT (UL 94V-0)
Solder Pin: Brass, Tin Plated

额定电压: 250V
额定电流: 10A
塑件材料: PBT (UL 94V-0)
触点材料: 黄铜, 镀锡



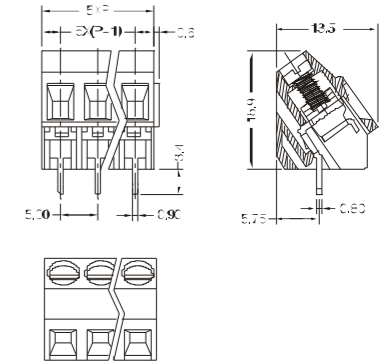
XY103

Poles: 2P & 3P
Pitch: 5mm



Voltage Rating: 250V
Current Rating: 10A
Wire range: 24-12AWG 2.5mm²
Housing: PA66(UL 94V-0)
Wire Cage: Brass, Nickel plated
Solder Pin: Brass, Tin Plated
Screw: M2.5, Steel(A3), Zinc Plated
Torque: 0.4N.m

额定电压: 250V
额定电流: 10A
使用线径: 24-12AWG 2.5mm²
塑件: 尼龙66 (UL 94V-0)
接触保护材料: 黄铜, 镀锡
触点材料: 黄铜, 镀锡
螺丝材料: M2.5, A3钢, 镀锌
扭矩: 0.4N.m



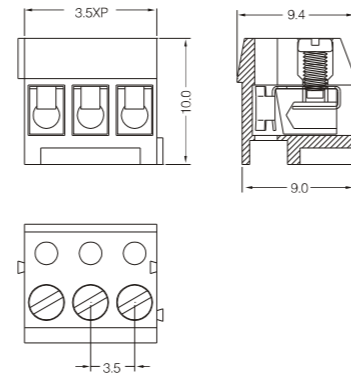
X333

Poles: Any poles(2-24P)
Pitch: 3.5mm



Voltage Rating: 250V
Current Rating: 10A
Wire range: 28-18AWG 1.0mm²
Housing: PBT(UL 94V-0)
Wire Cage: Brass, Nickel Plated
Clamping: Phosphor Bronze, Nickel Plated
Screw: M2.0, steel(A3), Zinc Plated
Torque: 0.2N.m

额定电压: 250V
额定电流: 10A
使用线径: 28-18AWG 1.0mm²
塑件材料: PBT (UL 94V-0)
接触保护材料: 黄铜, 镀镍
弹片: 磷青铜, 镀镍
螺丝: M2.0, A3钢, 镀锌
扭矩: 0.2N.m



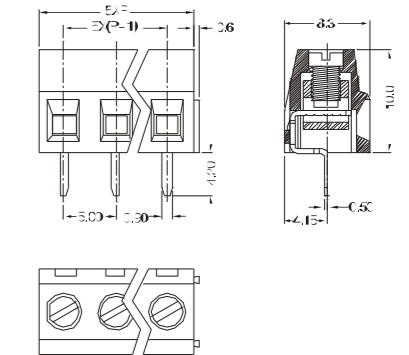
XY127V

Poles: 2P & 3P
Pitch: 5mm



Voltage Rating: 250V
Current Rating: 13.5A
Wire range: 26-16AWG 1.5mm²
Housing: PA66(UL 94V-0)
Wire Cage: Brass, Nickel plated
Solder Pin: Brass, Tin Plated
Screw: M3, Steel(A3), Zinc Plated
Torque: 0.5N.m

额定电压: 250V
额定电流: 13.5A
使用线径: 26-16AWG 1.5mm²
塑件: 尼龙66 (UL 94V-0)
接触保护材料: 黄铜, 镀镍
触点材料: 黄铜, 镀锡
螺丝材料: M3, A3钢, 镀锌
扭矩: 0.5N.m



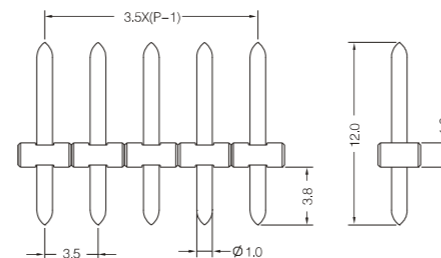
XY331V

Poles: Any poles(2-24P)
Pitch: 3.5mm



Voltage Rating: 250V
Current Rating: 10A
Housing: PBT (UL 94V-0)
Solder Pin: Brass, Tin Plated

额定电压: 250V
额定电流: 10A
塑件材料: PBT (UL 94V-0)
触点材料: 黄铜, 镀锡



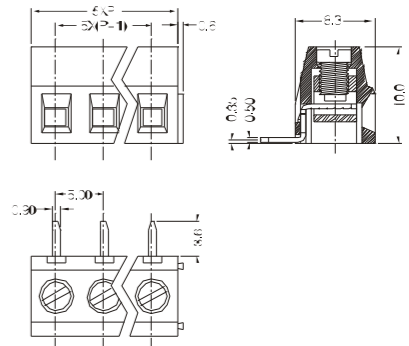
XY127R

Poles: 2P & 3P
Pitch: 5mm



Voltage Rating: 250V
Current Rating: 13.5A
Wire range: 26-16AWG 1.5mm²
Housing: PA66(UL 94V-0)
Wire Cage: Brass, Nickel plated
Solder Pin: Brass, Tin Plated
Screw: M3, Steel(A3), Zinc Plated
Torque: 0.5N.m

额定电压: 250V
额定电流: 13.5A
使用线径: 26-16AWG 1.5mm²
塑件: 尼龙66 (UL 94V-0)
接触保护材料: 黄铜, 镀镍
触点材料: 黄铜, 镀锡
螺丝材料: M3, A3钢, 镀锌
扭矩: 0.5N.m



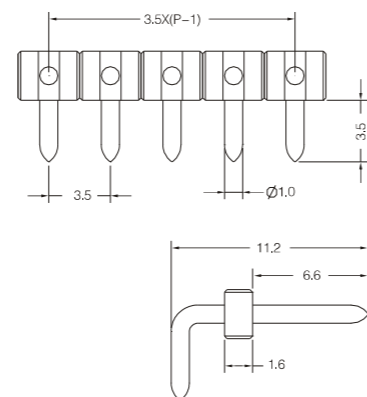
XY331R

Poles: Any poles(2-24P)
Pitch: 3.5mm



Voltage Rating: 250V
Current Rating: 10A
Housing: PBT (UL 94V-0)
Solder Pin: Brass, Tin Plated

额定电压: 250V
额定电流: 10A
塑件材料: PBT (UL 94V-0)
触点材料: 黄铜, 镀锡



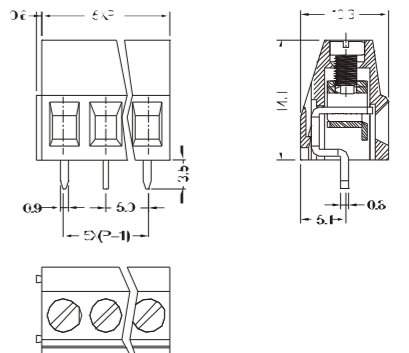
XY128V-A

Poles: 2P/3P/4P/5P
Pitch: 5.0mm



Voltage Rating: 250V
Current Rating: 10A
Wire range: 18-12AWG 2.5mm²
Housing: PA66 (UL 94V-0)
Wire Cage: Steel, Zinc Plated
Solder Pin: Brass, Tin Plated
Screw: M2.5, Steel(A3), Zinc Plated
Torque: 0.4N.m

额定电压: 250V
额定电流: 10A
使用线径: 18-12AWG 2.5mm²
塑件: 尼龙66 (UL 94V-0)
接触保护材料: 铁, 镀锌
触点材料: 黄铜, 镀锡
螺丝材料: M2.5, A3钢, 镀锌
扭矩: 0.4N.m



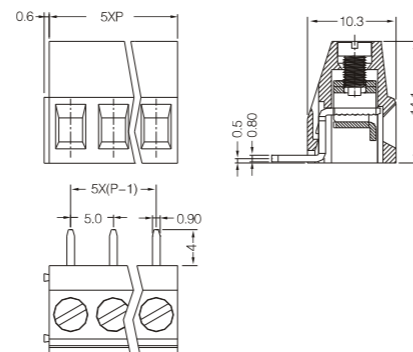
XY128R-A

Poles:2P/3P/4P/5P
Pitch: 5.0mm



Voltage Rating: 250V
Current Rating: 10A
Wire range: 18-12AWG 2.5mm²
Housing: PA66 (UL 94V-0)
Wire Cage: Steel,Zinc Plated
Solder Pin: Brass,Tin Plated
Screw: M2.5,Steel(A3),Zinc Plated
Torque: 0.4N.m

额定电压: 250V
额定电流: 10A
使用线径: 18-12AWG 2.5mm²
塑件: 尼龙66 (UL 94V-0)
接触保护材料: 铁, 镀锌
触点材料: 黄铜, 镀锡
螺丝材料: M2.5, A3钢, 镀锌
扭矩: 0.4N.m



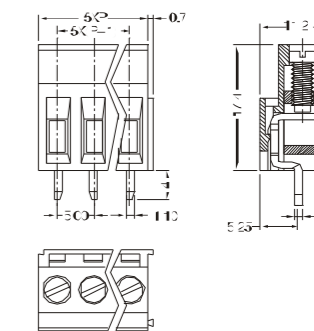
XY129V-B

Poles:2P & 3P
Pitch:5mm



Voltage Rating: 250V
Current Rating: 24A
Wire range: 26-12AWG 4.0mm²
Housing: PA66 (UL 94V-0)
Wire Cage: Brass,Nickel Plated
Solder Pin: Brass,Tin Plated
Screw: M3.0,Steel(A3),Zinc Plated
Torque: 0.5N.m

额定电压: 250V
额定电流: 24A
使用线径: 26-12AWG 4.0mm²
塑件: 尼龙66 (UL 94V-0)
接触保护材料: 黄铜, 镀镍
触点材料: 黄铜, 镀锡
螺丝材料: M3.0, A3钢, 镀锌
扭矩: 0.5N.m



XY128V-B(7.5)

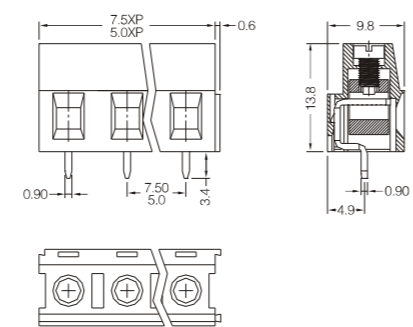
Poles:2P/3P/4P/5P
Pitch: 7.5mm
5.0mm



XY128V-C(5.0)

Voltage Rating: 250V
Current Rating: 10A
Wire range: 18-12AWG 2.5mm²
Housing: PA66 (UL 94V-0)
Wire Cage: Steel,Zinc Plated
Solder Pin: Brass,Tin Plated
Screw: M2.5,Steel(A3),Zinc Plated
Torque: 0.4N.m

额定电压: 250V
额定电流: 10A
使用线径: 18-12AWG 2.5mm²
塑件: 尼龙66 (UL 94V-0)
接触保护材料: 铁, 镀锌
触点材料: 黄铜, 镀锡
螺丝材料: M2.5, A3钢, 镀锌
扭矩: 0.4N.m



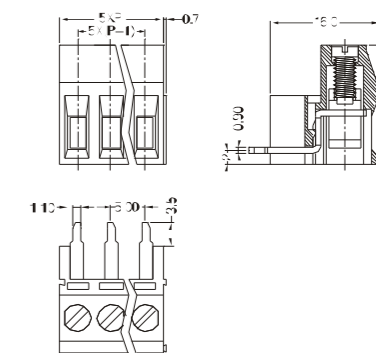
XY129R-A

Poles:2P & 3P
Pitch:5mm



Voltage Rating: 250V
Current Rating: 24A
Wire range: 26-12AWG 4.0mm²
Housing: PA66 (UL 94V-0)
Wire Cage: Brass,Nickel Plated
Solder Pin: Brass,Tin Plated
Screw: M3.0,Steel(A3),Zinc Plated
Torque: 0.5N.m

额定电压: 250V
额定电流: 24A
使用线径: 26-12AWG 4.0mm²
塑件: 尼龙66 (UL 94V-0)
接触保护材料: 黄铜, 镀锡
触点材料: 黄铜, 镀锡
螺丝材料: M3.0, A3钢, 镀锌
扭矩: 0.5N.m



XY128R-B(7.5)

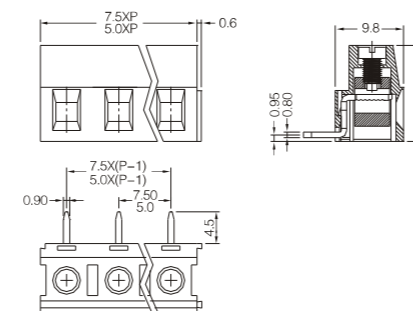
Poles:2P/3P/4P/5P
Pitch: 7.5mm
5.0mm



XY128R-C(5.0)

Voltage Rating: 250V
Current Rating: 10A
Wire range: 18-12AWG 2.5mm²
Housing: PA66 (UL 94V-0)
Wire Cage: Steel,Zinc Plated
Solder Pin: Brass,Tin Plated
Screw: M2.5,Steel(A3),Zinc Plated
Torque: 0.4N.m

额定电压: 250V
额定电流: 10A
使用线径: 18-12AWG 2.5mm²
塑件: 尼龙66 (UL 94V-0)
接触保护材料: 铁, 镀锌
触点材料: 黄铜, 镀锡
螺丝材料: M2.5, A3钢, 镀锌
扭矩: 0.4N.m



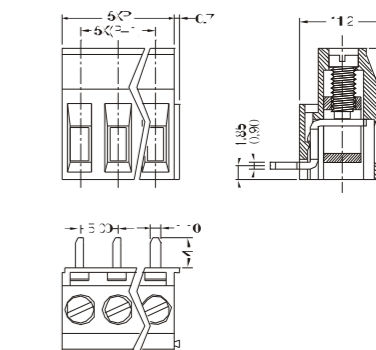
XY129R-B

Poles:2P & 3P
Pitch:5mm



Voltage Rating: 250V
Current Rating: 24A
Wire range: 26-12AWG 4.0mm²
Housing: PA66 (UL 94V-0)
Wire Cage: Brass,Nickel Plated
Solder Pin: Brass,Tin Plated
Screw: M3.0,Steel(A3),Zinc Plated
Torque: 0.5N.m

额定电压: 250V
额定电流: 24A
使用线径: 26-12AWG 4.0mm²
塑件: 尼龙66 (UL 94V-0)
接触保护材料: 黄铜, 镀锡
触点材料: 黄铜, 镀锡
螺丝材料: M3.0, A3钢, 镀锌
扭矩: 0.5N.m



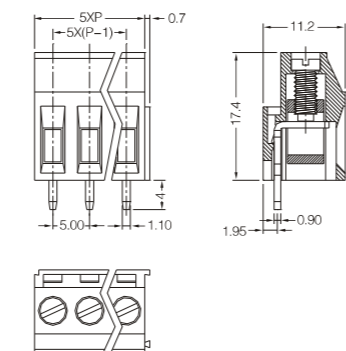
XY129V-A

Poles:2P & 3P
Pitch:5mm



Voltage Rating: 250V
Current Rating: 24A
Wire range: 26-12AWG 4.0mm²
Housing: PA66 (UL 94V-0)
Wire Cage: Steel,Zinc Plated
Solder Pin: Brass,Tin Plated
Screw: M3.0,Steel(A3),Zinc Plated
Torque: 0.5N.m

额定电压: 250V
额定电流: 24A
使用线径: 26-12AWG 4.0mm²
塑件: 尼龙66 (UL 94V-0)
接触保护材料: 黄铜, 镀镍
触点材料: 黄铜, 镀锡
螺丝材料: M3.0, A3钢, 镀锌
扭矩: 0.5N.m



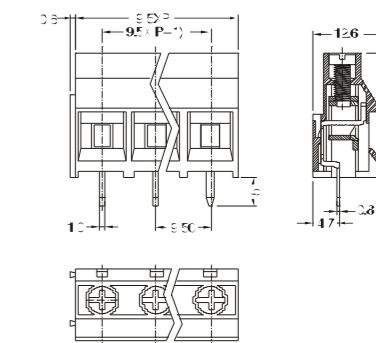
XY130

Poles:2P & 3P
Pitch:9.5mm



Voltage Rating: 250V
Current Rating: 16A
Wire range: 26-10AWG 6.0mm²
Housing: PA66 (UL 94V-0)
Wire Cage: Steel,Zinc Plated
Solder Pin: Brass,Tin Plated
Screw: M3.0,Steel(A3),Zinc Plated
Torque: 0.5N.m

额定电压: 250V
额定电流: 16A
使用线径: 26-10AWG 6.0mm²
塑件: 尼龙66 (UL 94V-0)
接触保护材料: 铁, 镀锌
触点材料: 黄铜, 镀锡
螺丝材料: M3.0, A3钢, 镀锌
扭矩: 0.5N.m



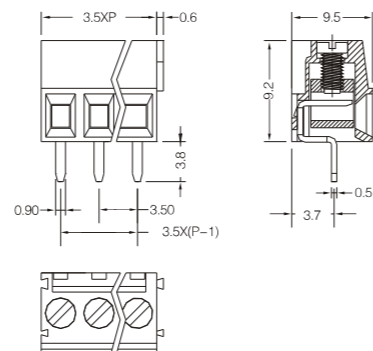
XY302V

Poles:2P & 3P
Pitch:3.5mm



Voltage Rating: 130V
Current Rating: 9A
Wire range: 24-16AWG 1.5mm²
Housing: PA66 (UL 94V-0)
Wire Cage: Brass,Nickel Plated
Solder Pin: Brass,Tin Plated
Screw: M2.0,Steel(A3),Zinc Plated
Torque: 0.2N.m

额定电压: 130V
额定电流: 9A
使用线径: 24-16AWG 1.5mm²
塑件: 尼龙66 (UL 94V-0)
接触保护材料: 黄铜, 镀镍
触点材料: 黄铜, 镀锡
螺丝材料: M2.0, A3钢, 镀锌
扭矩: 0.2N.m



XY304V-A(5.0)

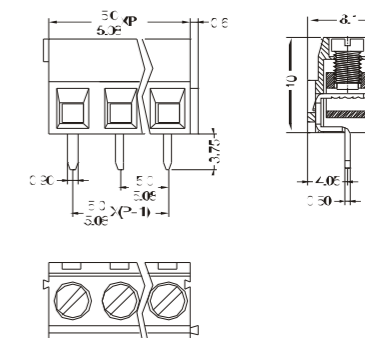
Poles:2P&3P
Pitch:5mm 5.08mm



XY304V-B(5.08)

Voltage Rating: 250V
Current Rating: 16A
Wire range: 22-14AWG 1.5mm²
Housing: PA66 (UL 94V-0)
Wire Cage: Brass,Nickel Plated
Solder Pin: Brass,Tin Plated
Screw: M3.0,Steel(A3),Zinc Plated
Torque: 0.5N.m

额定电压: 250V
额定电流: 16A
使用线径: 22-14AWG 1.5mm²
塑件: 尼龙66 (UL 94V-0)
接触保护材料: 黄铜, 镀镍
触点材料: 黄铜, 镀锡
螺丝材料: M3.0, A3钢, 镀锌
扭矩: 0.5N.m



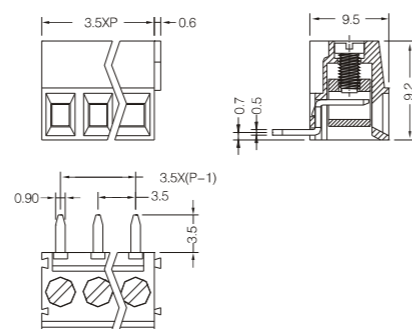
XY302R

Poles:2P & 3P
Pitch:3.5mm



Voltage Rating: 130V
Current Rating: 9A
Wire range: 24-16AWG 1.5mm²
Housing: PA66 (UL 94V-0)
Wire Cage: Brass,Nickel Plated
Solder Pin: Brass,Tin Plated
Screw: M2.0,Steel(A3),Zinc Plated
Torque: 0.2N.m

额定电压: 130V
额定电流: 9A
使用线径: 24-16AWG 1.5mm²
塑件: 尼龙66 (UL 94V-0)
接触保护材料: 黄铜, 镀镍
触点材料: 黄铜, 镀锡
螺丝材料: M2.0, A3钢, 镀锌
扭矩: 0.2N.m



XY304R-A(5.0)

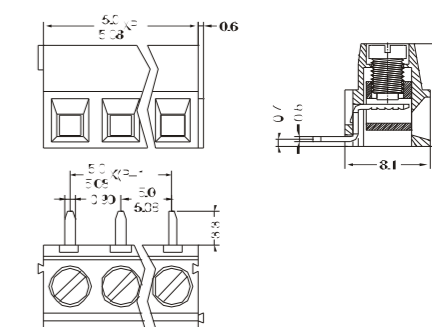
Poles:2P&3P
Pitch:5mm 5.08mm



XY304R-B(5.08)

Voltage Rating: 250V
Current Rating: 16A
Wire range: 22-14AWG 1.5mm²
Housing: PA66 (UL 94V-0)
Wire Cage: Brass,Nickel Plated
Solder Pin: Brass,Tin Plated
Screw: M3.0,Steel(A3),Zinc Plated
Torque: 0.5N.m

额定电压: 250V
额定电流: 16A
使用线径: 22-14AWG 1.5mm²
塑件: 尼龙66 (UL 94V-0)
接触保护材料: 黄铜, 镀镍
触点材料: 黄铜, 镀锡
螺丝材料: M3.0, A3钢, 镀锌
扭矩: 0.5N.m



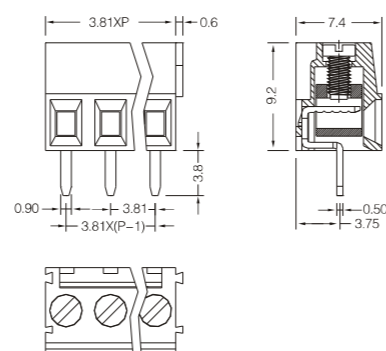
XY303V

Poles:2P & 3P
Pitch:3.81mm



Voltage Rating: 130V
Current Rating: 9A
Wire range: 24-16AWG 1.5mm²
Housing: PA66 (UL 94V-0)
Wire Cage: Brass,Nickel Plated
Solder Pin: Brass,Tin Plated
Screw: M2.0,Steel(A3),Zinc Plated
Torque: 0.2N.m

额定电压: 130V
额定电流: 9A
使用线径: 24-16AWG 1.5mm²
塑件: 尼龙66 (UL 94V-0)
接触保护材料: 黄铜, 镀镍
触点材料: 黄铜, 镀锡
螺丝材料: M2.0, A3钢, 镀锌
扭矩: 0.2N.m



XYEK500&EEK500(5.0)

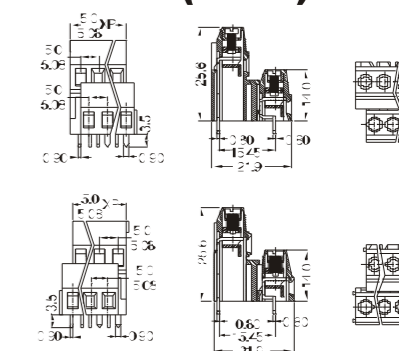
Poles:4P&6P
Pitch:5.0mm 5.08mm



XYEK508&EEK508(5.08)

Voltage Rating: 400V
Current Rating: 16A
Wire range: 24-12AWG 2.5mm²
Housing: PA66 (UL 94V-0)
Wire Cage: Steel,Zinc Plated
Solder Pin: Brass,Tin Plated
Screw: M2.5,Steel(A3),Zinc Plated
Torque: 0.4N.m

额定电压: 400V
额定电流: 16A
使用线径: 24-12AWG 2.5mm²
塑件: 尼龙66 (UL 94V-0)
接触保护材料: 铁, 镀锌
触点材料: 黄铜, 镀锡
螺丝材料: M2.5, A3钢, 镀锌
扭矩: 0.4N.m



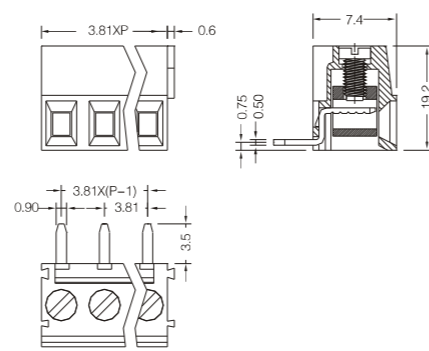
XY303R

Poles:2P & 3P
Pitch:3.81mm



Voltage Rating: 130V
Current Rating: 9A
Wire range: 24-16AWG 1.5mm²
Housing: PA66 (UL 94V-0)
Wire Cage: Brass,Nickel Plated
Solder Pin: Brass,Tin Plated
Screw: M2.0,Steel(A3),Zinc Plated
Torque: 0.2N.m

额定电压: 130V
额定电流: 9A
使用线径: 24-16AWG 1.5mm²
塑件: 尼龙66 (UL 94V-0)
接触保护材料: 黄铜, 镀镍
触点材料: 黄铜, 镀锡
螺丝材料: M2.0, A3钢, 镀锌
扭矩: 0.2N.m



XYEK381&EEK 381

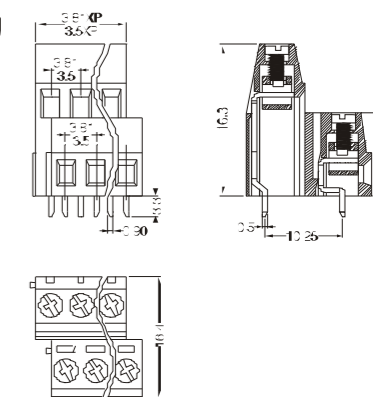
Poles: 4P,6P
Pitch: 3.81mm 3.5mm



XYEK350&EEK 350

Voltage Rating: 300V
Current Rating: 10A
Wire range: 26-16AWG 1.5mm²
Housing: PA66(UL 94V-0)
Solder Pin: Brass,Tin Plated
Wire Cage: Brass,Tin Plated
Screw: M2.0,steel(A3),Zinc Plated
Torque: 0.2N.m

额定电压: 300V
额定电流: 10A
使用线径: 26-16AWG 1.5mm²
塑件材料: 尼龙66 (UL 94V-0)
触点材料: 黄铜, 镀锡
接触保护材料: 黄铜, 镀锡
螺丝: M2.0, A3钢, 镀锌
扭矩: 0.2N.m



XY2500F-A(5.0)

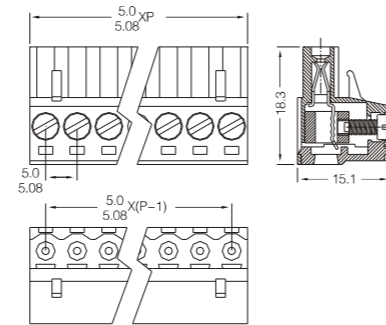
Poles:Any poles(2-24P)
Pitch:5.0mm 5.08mm



XY2500F-B(5.08)

Voltage Rating: 300V
Current Rating: 12A
Wire range: 18-12AWG 2.5mm²
Housing: PA66 (UL 94V-0)
Wire Cage: Brass(Nickel Plated)or Steel(Zinc Plated)
Clamp: Phosphor Bronze,Nickel Plated
Screw: M2.5,Steel(A3),Zinc Plated
Torque: 0.4N.m

额定电压: 300V
额定电流: 12A
使用线径: 18-12AWG 2.5mm²
塑件: 尼龙66 (UL 94V-0)
接触保护材料: 黄铜, 镀镍
或铁, 镀锌
弹片(触点)材料: 磷青铜, 镀镍
螺丝材料: M2.5, A3钢, 镀锌
扭矩: 0.4N.m



XY2500F-H(5.0)

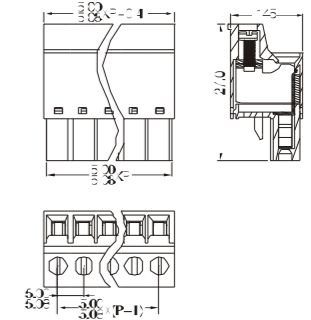
Poles:Any poles(2-24P)
Pitch:5.0mm 5.08mm



XY2500F-I(5.08)

Voltage Rating: 300V
Current Rating: 12A
Wire range: 18-12AWG 2.5mm²
Housing: PA66(UL 94V-0)
Wire Cage: Steel(Zinc Plated)
Clamp: Phosphor Bronze,Nickel Plated
Screw: M2.5,Steel(A3),Zinc Plated
Torque: 0.4N.m

额定电压: 300V
额定电流: 12A
使用线径: 18-12AWG 2.5mm²
塑件: 尼龙66 (UL 94V-0)
接触保护材料: 铁, 镀锌
弹片(触点)材料: 磷青铜, 镀镍
螺丝材料: M2.5, A3钢, 镀锌
扭矩: 0.4N.m



XY2500F-AS(5.0)

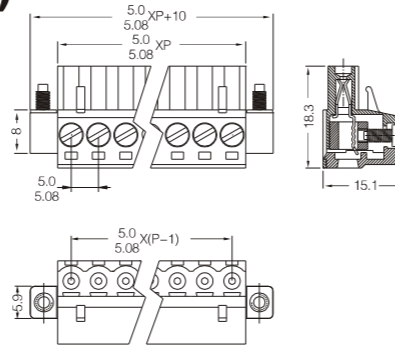
Poles:Any poles(2-22P)
Pitch:5.0mm 5.08mm



XY2500F-BS(5.08)

Voltage Rating: 300V
Current Rating: 12A
Wire range: 18-12AWG 2.5mm²
Housing: PA66 (UL 94V-0)
Wire Cage: Brass(Nickel Plated)or Steel(Zinc Plated)
Clamp: Phosphor Bronze,Nickel Plated
Screw: M2.5,Steel(A3),Zinc Plated
Torque: 0.4N.m

额定电压: 300V
额定电流: 12A
使用线径: 18-12AWG 2.5mm²
塑件: 尼龙66 (UL 94V-0)
接触保护材料: 黄铜, 镀镍
或铁, 镀锌
弹片(触点)材料: 磷青铜, 镀镍
螺丝材料: M2.5, A3钢, 镀锌
扭矩: 0.4N.m



XY2500F-HS(5.0)

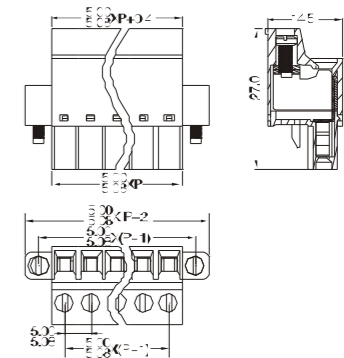
Poles:Any poles(2-22P)
Pitch:5.0mm 5.08mm



XY2500F-IS(5.08)

Voltage Rating: 300V
Current Rating: 12A
Wire range: 18-12AWG 2.5mm²
Housing: PA66(UL 94V-0)
Wire Cage: Steel(Zinc Plated)
Clamp: Phosphor Bronze,Nickel Plated
Screw: M2.5,Steel(A3),Zinc Plated
Torque: 0.4N.m

额定电压: 300V
额定电流: 12A
使用线径: 18-12AWG 2.5mm²
塑件: 尼龙66 (UL 94V-0)
接触保护材料: 铁, 镀锌
弹片(触点)材料: 磷青铜, 镀镍
螺丝材料: M2.5, A3钢, 镀锌
扭矩: 0.4N.m



XY2500F-AV(5.0)

XY2500F-AVR(5.0)

Poles:Any poles(2-24P)
Pitch:5.0mm 5.08mm

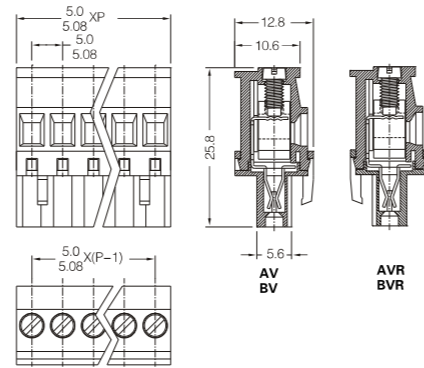


XY2500F-BV(5.08)

XY2500F-BVR(5.08)

Voltage Rating: 300V
Current Rating: 12A
Wire range: 18-12AWG 2.5mm²
Housing: PA66 (UL 94V-0)
Wire Cage: Brass(Nickel Plated)
Clamp: Phosphor Bronze,Nickel Plated
Screw: M3.0,Steel(A3),Zinc Plated
Torque: 0.5N.m

额定电压: 300V
额定电流: 12A
使用线径: 18-12AWG 2.5mm²
塑件: 尼龙66 (UL 94V-0)
接触保护材料: 黄铜, 镀镍
弹片(触点)材料: 磷青铜, 镀镍
螺丝材料: M3.0, A3钢, 镀锌
扭矩: 0.5N.m



XY2500F-K(5.0)

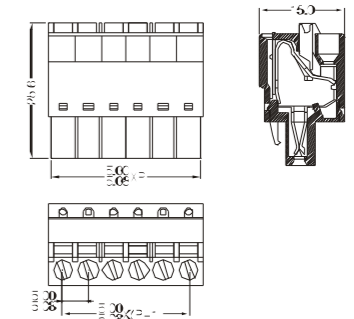
Poles:Any poles(2-24P)
Pitch:5.0mm 5.08mm



XY2500F-L(5.08)

Voltage Rating: 300V
Current Rating: 12A
Wire range: 18-12AWG 2.5mm²
Housing: PA66(UL 94V-0)
Clamp: Phosphor Bronze,Nickel Plated
Clamping: Stainless steel

额定电压: 300V
额定电流: 12A
使用线径: 18-12AWG 2.5mm²
塑件: 尼龙66 (UL 94V-0)
簧片: 磷青铜, 镀镍
弹片: 不锈钢



XY2500F-AVS(5.0)

XY2500F-AVRS(5.0)

Poles:Any poles(2-22P)
Pitch:5.0mm 5.08mm

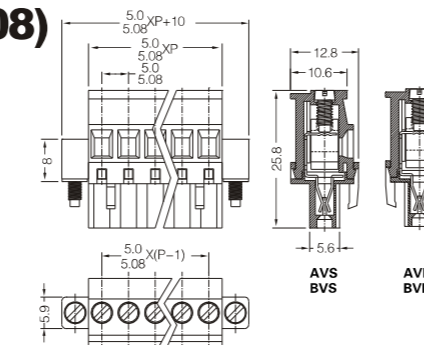


XY2500F-BVS(5.08)

XY2500F-BVRS(5.08)

Voltage Rating: 300V
Current Rating: 12A
Wire range: 18-12AWG 2.5mm²
Housing: PA66 (UL 94V-0)
Wire Cage: Brass(Nickel Plated)
Clamp: Phosphor Bronze,Nickel Plated
Screw: M3.0,Steel(A3),Zinc Plated
Torque: 0.5N.m

额定电压: 300V
额定电流: 12A
使用线径: 18-12AWG 2.5mm²
塑件: 尼龙66 (UL 94V-0)
接触保护材料: 黄铜, 镀镍
弹片(触点)材料: 磷青铜, 镀镍
螺丝材料: M3.0, A3钢, 镀锌
扭矩: 0.5N.m



XY2500F-KS(5.0)

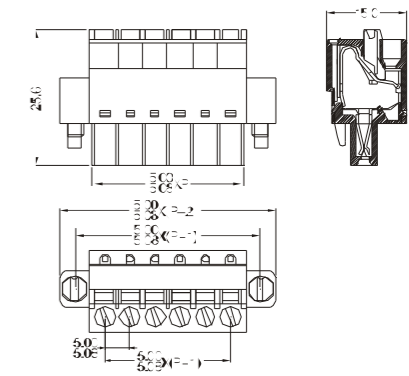
Poles:Any poles(2-22P)
Pitch:5.0mm 5.08mm



XY2500F-LS(5.08)

Voltage Rating: 300V
Current Rating: 12A
Wire range: 18-12AWG 2.5mm²
Housing: PA66(UL 94V-0)
Clamp: Phosphor Bronze,Nickel Plated
Clamping: Stainless steel

额定电压: 300V
额定电流: 12A
使用线径: 18-12AWG 2.5mm²
塑件: 尼龙66 (UL 94V-0)
簧片: 磷青铜, 镀镍
弹片: 不锈钢



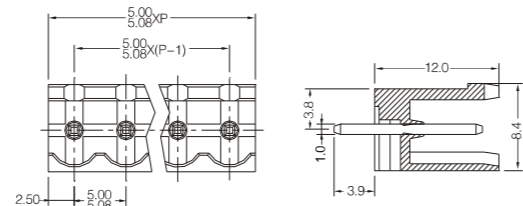
XY2500V-A(5.0) XY2500V-C(5.08)

Poles:Any poles(2-24P)
Pitch:5.0mm 5.08mm



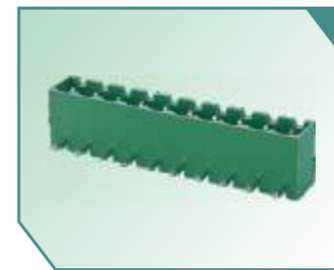
Voltage Rating: 300V
Current Rating: 12A
Housing: PA66(UL 94V-0)
Solder Pin: Brass,Tin Plated

额定电压: 300V
额定电流: 12A
塑件: 尼龙66 (UL 94V-0)
触点材料: 黄铜, 镀锡



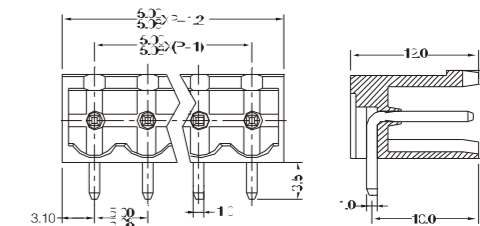
XY2500R-B(5.0) XY2500R-D(5.08)

Poles:Any poles(4-48P)
Pitch:5.0mm 5.08mm



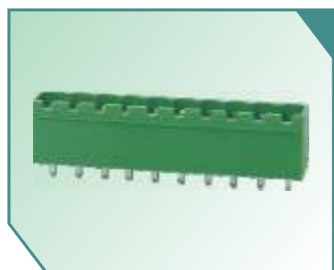
Voltage Rating: 300V
Current Rating: 12A
Housing: PA66(UL 94V-0)
Solder Pin: Brass,Tin Plated

额定电压: 300V
额定电流: 12A
塑件: 尼龙66 (UL 94V-0)
触点材料: 黄铜, 镀锡



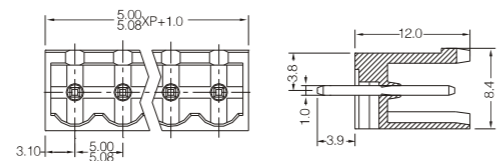
XY2500V-B(5.0) XY2500V-D(5.08)

Poles:Any poles(2-24P)
Pitch:5.0mm 5.08mm



Voltage Rating: 300V
Current Rating: 12A
Housing: PA66(UL 94V-0)
Solder Pin: Brass,Tin Plated

额定电压: 300V
额定电流: 12A
塑件: 尼龙66 (UL 94V-0)
触点材料: 黄铜, 镀锡



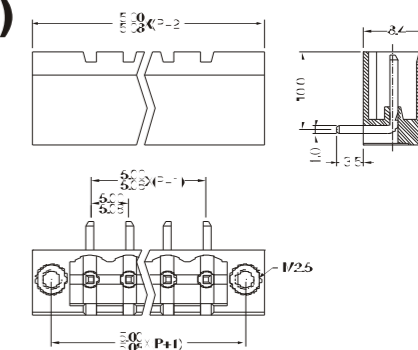
XY2500R-BS(5.0) XY2500R-DS(5.08)

Poles:Any poles(4-44P)
Pitch:5.0mm 5.08mm



Voltage Rating: 300V
Current Rating: 12A
Housing: PA66(UL 94V-0)
Solder Pin: Brass,Tin Plated

额定电压: 300V
额定电流: 12A
塑件: 尼龙66 (UL 94V-0)
触点材料: 黄铜, 镀锡



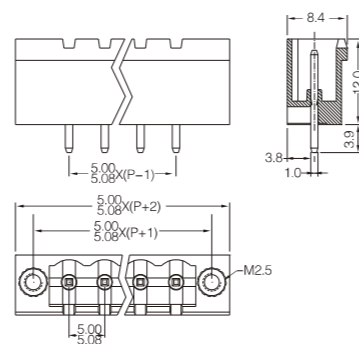
XY2500V-BS(5.0) XY2500V-DS(5.08)

Poles:Any poles(4-44P)
Pitch:5.0mm 5.08mm



Voltage Rating: 300V
Current Rating: 12A
Housing: PA66(UL 94V-0)
Solder Pin: Brass,Tin Plated

额定电压: 300V
额定电流: 12A
塑件: 尼龙66 (UL 94V-0)
触点材料: 黄铜, 镀锡



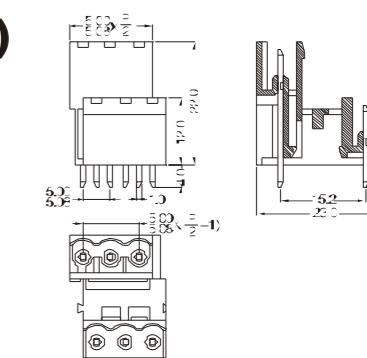
XY2500TV-A(5.0) XY2500TV-C(5.08)

Poles:Any poles(4-48P)
Pitch:5.0mm 5.08mm



Voltage Rating: 300V
Current Rating: 12A
Housing: PA66(UL 94V-0)
Solder Pin: Brass,Tin Plated

额定电压: 300V
额定电流: 12A
塑件: 尼龙66 (UL 94V-0)
触点材料: 黄铜, 镀锡



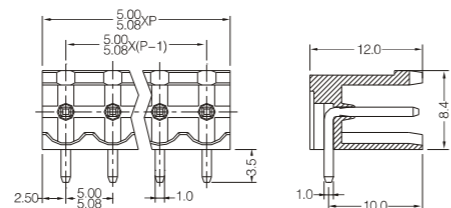
XY2500R-A(5.0) XY2500R-C(5.08)

Poles:Any poles(4-48P)
Pitch:5.0mm 5.08mm



Voltage Rating: 300V
Current Rating: 12A
Housing: PA66(UL 94V-0)
Solder Pin: Brass,Tin Plated

额定电压: 300V
额定电流: 12A
塑件: 尼龙66 (UL 94V-0)
触点材料: 黄铜, 镀锡



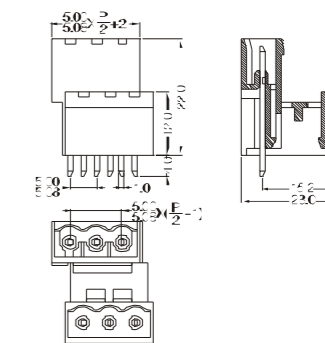
XY2500TV-B(5.0) XY2500TV-D(5.08)

Poles:Any poles(4-44P)
Pitch:5.0mm 5.08mm



Voltage Rating: 300V
Current Rating: 12A
Housing: PA66(UL 94V-0)
Solder Pin: Brass,Tin Plated

额定电压: 300V
额定电流: 12A
塑件: 尼龙66 (UL 94V-0)
触点材料: 黄铜, 镀锡



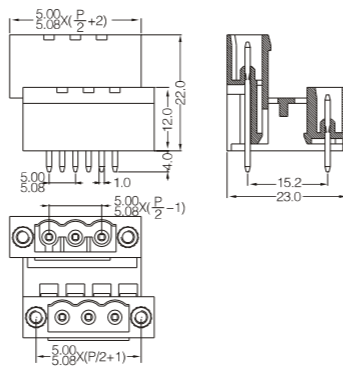
XY2500TV-BS(5.0) XY2500TV-DS(5.08)

Poles:Any poles(4-44P)
Pitch:5.0mm 5.08mm



Voltage Rating: 300V
Current Rating: 12A
Housing: PA66(UL 94V-0)
Solder Pin: Brass,Tin Plated

额定电压: 300V
额定电流: 12A
塑件: 尼龙66 (UL 94V-0)
触点材料: 黄铜, 镀锡



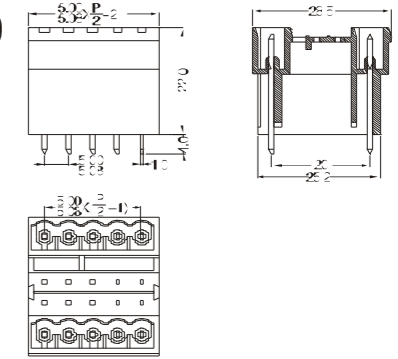
XY2500HV-A(5.0) XY2500HV-B(5.08)

Poles:Any poles(4-48P)
Pitch:5.0mm 5.08mm



Voltage Rating: 300V
Current Rating: 12A
Housing: PA66(UL 94V-0)
Solder Pin: Brass,Tin Plated

额定电压: 300V
额定电流: 12A
塑件: 尼龙66 (UL 94V-0)
触点材料: 黄铜, 镀锡



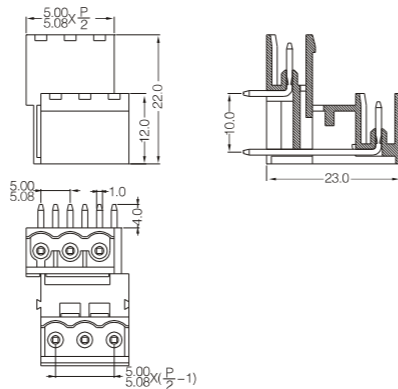
XY2500TR-A(5.0) XY2500TR-C(5.08)

Poles:Any poles(4-48P)
Pitch:5.0mm 5.08mm



Voltage Rating: 300V
Current Rating: 12A
Housing: PA66(UL 94V-0)
Solder Pin: Brass,Tin Plated

额定电压: 300V
额定电流: 12A
塑件: 尼龙66 (UL 94V-0)
触点材料: 黄铜, 镀锡



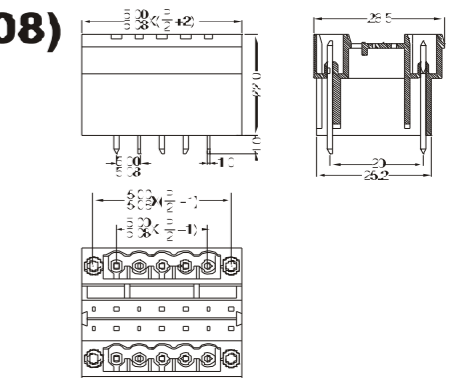
XY2500HV-AS(5.0) XY2500HV-BS(5.08)

Poles:Any poles(4-44P)
Pitch:5.0mm 5.08mm



Voltage Rating: 300V
Current Rating: 12A
Housing: PA66(UL 94V-0)
Solder Pin: Brass,Tin Plated

额定电压: 300V
额定电流: 12A
塑件: 尼龙66 (UL 94V-0)
触点材料: 黄铜, 镀锡



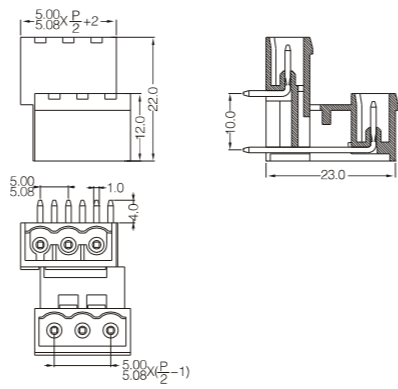
XY2500TR-B(5.0) XY2500TR-D(5.08)

Poles:Any poles(4-48P)
Pitch:5.0mm 5.08mm



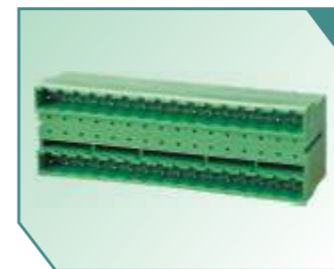
Voltage Rating: 300V
Current Rating: 12A
Housing: PA66(UL 94V-0)
Solder Pin: Brass,Tin Plated

额定电压: 300V
额定电流: 12A
塑件: 尼龙66 (UL 94V-0)
触点材料: 黄铜, 镀锡



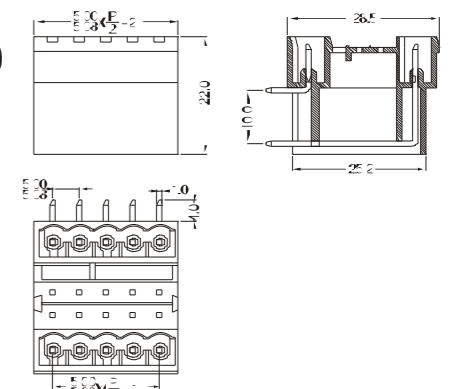
XY2500HR-A(5.0) XY2500HR-B(5.08)

Poles:Any poles(4-48P)
Pitch:5.0mm 5.08mm



Voltage Rating: 300V
Current Rating: 12A
Housing: PA66(UL 94V-0)
Solder Pin: Brass,Tin Plated

额定电压: 300V
额定电流: 12A
塑件: 尼龙66 (UL 94V-0)
触点材料: 黄铜, 镀锡



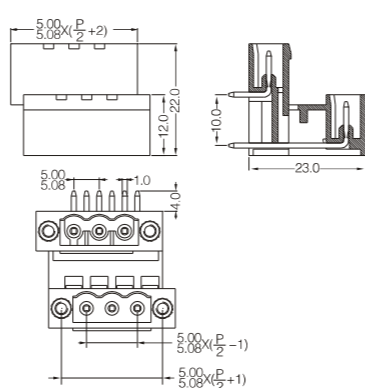
XY2500TR-BS(5.0) XY2500TR-DS(5.08)

Poles:Any poles(4-44P)
Pitch:5.0mm 5.08mm



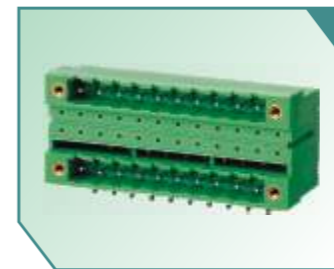
Voltage Rating: 300V
Current Rating: 12A
Housing: PA66(UL 94V-0)
Solder Pin: Brass,Tin Plated

额定电压: 300V
额定电流: 12A
塑件: 尼龙66 (UL 94V-0)
触点材料: 黄铜, 镀锡



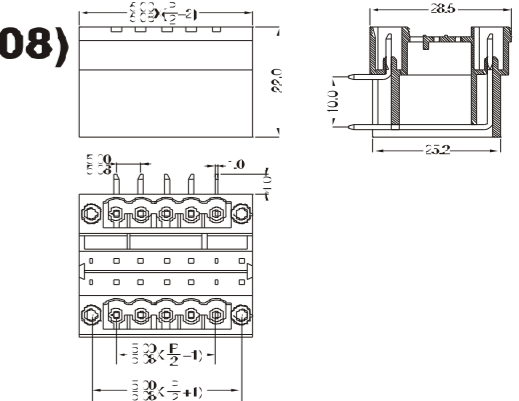
XY2500HR-AS(5.0) XY2500HR-BS(5.08)

Poles:Any poles(4-44P)
Pitch:5.0mm 5.08mm



Voltage Rating: 300V
Current Rating: 12A
Housing: PA66(UL 94V-0)
Solder Pin: Brass,Tin Plated

额定电压: 300V
额定电流: 12A
塑件: 尼龙66 (UL 94V-0)
触点材料: 黄铜, 镀锡



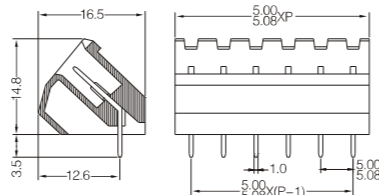
XY2500L-A(5.0) XY2500L-C(5.08)

Poles:Any poles(2-24P)
Pitch:5.0mm 5.08mm



Voltage Rating: 300V
Current Rating: 12A
Housing: PA66(UL 94V-0)
Solder Pin: Brass,Tin Plated

额定电压: 300V
额定电流: 12A
塑件: 尼龙66 (UL 94V-0)
触点材料: 黄铜, 镀锡



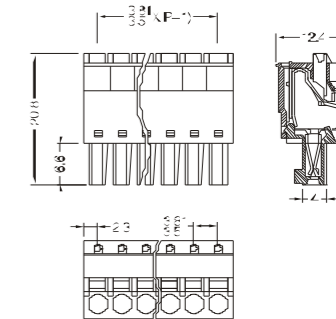
XY2500F-D(3.81) XY2500F-T(3.5)

Poles:Any poles(2-16P)
Pitch:3.81mm 3.5mm



Voltage Rating: 125V
Current Rating: 8A
Wire range: 22-16AWG 1.5mm²
Housing: PA66(UL 94V-0)
Clamp: Phosphor Bronze,Nickel Plated
Clamping: Stainless steel

额定电压: 125V
额定电流: 8A
使用线径: 22-16AWG 1.5mm²
塑件: 尼龙66 (UL 94V-0)
簧片: 磷青铜, 镀镍
弹片: 不锈钢



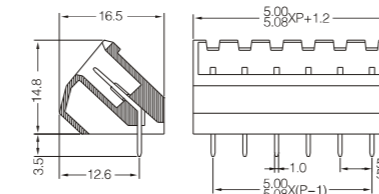
XY2500L-B(5.0) XY2500L-D(5.08)

Poles:Any poles(2-24P)
Pitch:5.0mm 5.08mm



Voltage Rating: 300V
Current Rating: 12A
Housing: PA66(UL 94V-0)
Solder Pin: Brass,Tin Plated

额定电压: 300V
额定电流: 12A
塑件: 尼龙66 (UL 94V-0)
触点材料: 黄铜, 镀锡



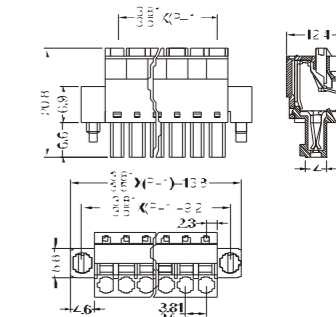
XY2500F-DS(3.81) XY2500F-TS(3.5)

Poles:Any poles(2-14P)
Pitch:3.81mm 3.5mm



Voltage Rating: 125V
Current Rating: 8A
Wire range: 22-16AWG 1.5mm²
Housing: PA66(UL 94V-0)
Clamp: Phosphor Bronze,Nickel Plated
Clamping: Stainless steel

额定电压: 125V
额定电流: 8A
使用线径: 22-16AWG 1.5mm²
塑件: 尼龙66 (UL 94V-0)
簧片: 磷青铜, 镀镍
弹片: 不锈钢



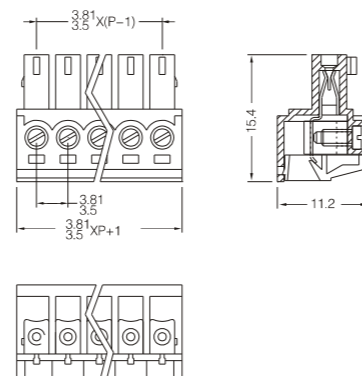
XY2500F-C(3.81) XY2500F-G(3.5)

Poles:Any poles(2-16P)
Pitch:3.81mm 3.5mm



Voltage Rating: 125V
Current Rating: 8A
Wire range: 22-16AWG 1.5mm²
Housing: PA66(UL 94V-0)
Wire Cage: Brass,Nickel Plated
Clamp: Phosphor Bronze,Nickel Plated
Screw: M2.0,Steel(A3),Zinc Plated
Torque: 0.2N.m

额定电压: 125V
额定电流: 8A
使用线径: 22-16AWG 1.5mm²
塑件: 尼龙66 (UL 94V-0)
接触保护材料: 黄铜, 镀镍
弹片(触点)材料: 磷青铜, 镀镍
螺丝材料: M2.0, A3钢, 镀锌
扭矩: 0.2N.m



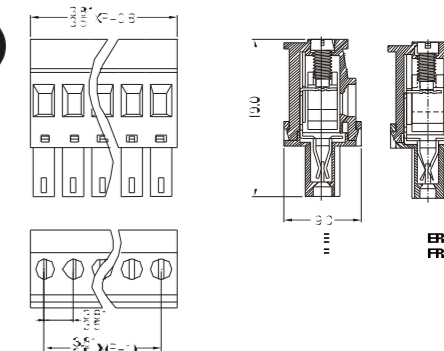
XY2500F-E(3.81) XY2500F-F(3.5) XY2500F-ER(3.81) XY2500F-FR(3.5)

Poles:Any poles(2-16P)
Pitch:3.81mm 3.5mm



Voltage Rating: 125V
Current Rating: 8A
Wire range: 22-16AWG 1.5mm²
Housing: PA66(UL 94V-0)
Wire Cage: Brass,Nickel Plated
Clamp: Phosphor Bronze,Nickel Plated
Screw: M2.0,Steel(Q235),Zinc Plated
Torque: 0.2N.m

额定电压: 125V
额定电流: 8A
使用线径: 22-16AWG 1.5mm²
塑件: 尼龙66 (UL 94V-0)
接触保护材料: 黄铜, 镀镍
弹片(触点)材料: 磷青铜, 镀镍
螺丝材料: M2.0, Q235钢, 镀锌
扭矩: 0.2N.m



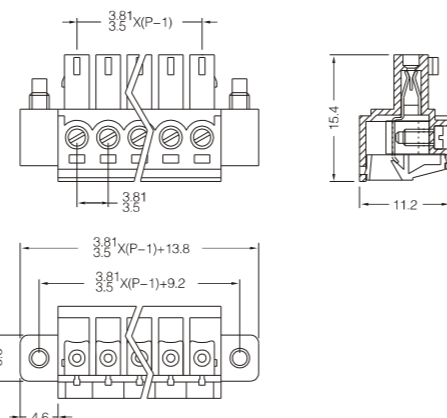
XY2500F-CS(3.81) XY2500F-GS(3.5)

Poles:Any poles(2-14P)
Pitch:3.81mm 3.5mm



Voltage Rating: 125V
Current Rating: 8A
Wire range: 22-16AWG 1.5mm²
Housing: PA66(UL 94V-0)
Wire Cage: Brass,Nickel Plated
Clamp: Phosphor Bronze,Nickel Plated
Screw: M2.0,Steel(A3),Zinc Plated
Torque: 0.2N.m

额定电压: 125V
额定电流: 8A
使用线径: 22-16AWG 1.5mm²
塑件: 尼龙66 (UL 94V-0)
接触保护材料: 黄铜, 镀镍
弹片(触点)材料: 磷青铜, 镀镍
螺丝材料: M2.0, A3钢, 镀锌
扭矩: 0.2N.m



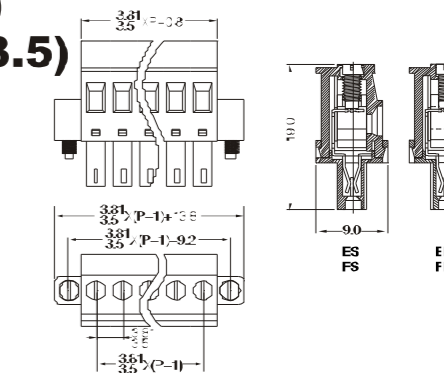
XY2500F-ES(3.81) XY2500F-FS(3.5) XY2500F-ERS(3.81) XY2500F-FRS(3.5)

Poles:Any poles(2-14P)
Pitch:3.81mm 3.5mm



Voltage Rating: 125V
Current Rating: 8A
Wire range: 22-16AWG 1.5mm²
Housing: PA66(UL 94V-0)
Wire Cage: Brass,Nickel Plated
Clamp: Phosphor Bronze,Nickel Plated
Screw: M2.0,Steel(Q235),Zinc Plated
Torque: 0.2N.m

额定电压: 125V
额定电流: 8A
使用线径: 22-16AWG 1.5mm²
塑件: 尼龙66 (UL 94V-0)
接触保护材料: 黄铜, 镀镍
弹片(触点)材料: 磷青铜, 镀镍
螺丝材料: M2.0, Q235钢, 镀锌
扭矩: 0.2N.m



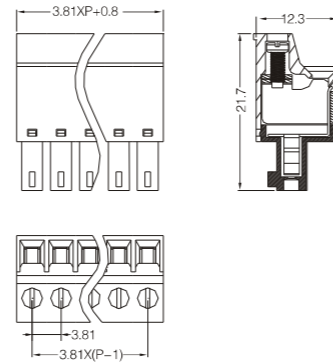
XY2500F-J

Poles:Any poles(2-16P)
Pitch:3.81mm



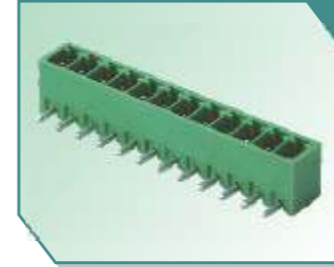
Voltage Rating: 125V
Current Rating: 8A
Wire range: 22-16AWG 1.5mm²
Housing: PA66(UL 94V-0)
Wire Cage: Steel(Zinc Plated)
Clamp: Phosphor Bronze,Nickel Plated
Screw: M2.0,Steel(A3),Zinc Plated
Torque: 0.2N.m

额定电压: 125V
额定电流: 8A
使用线径: 22-16AWG 1.5mm²
塑件: 尼龙66 (UL 94V-0)
接触保护材料: 铁, 镀锌
弹片(触点)材料: 磷青铜, 镀镍
螺丝材料: M2.0, A3钢, 镀锌
扭矩: 0.2N.m



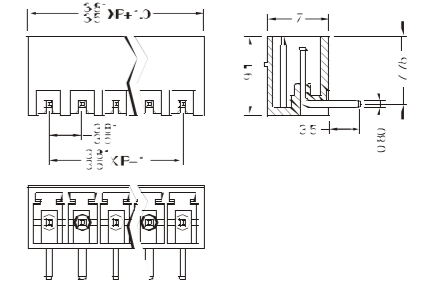
XY2500R-F(3.81) XY2500R-G(3.5)

Poles:Any poles(2-16P)
Pitch:3.81mm 3.5mm



Voltage Rating: 125V
Current Rating: 8A
Housing: PA66(UL 94V-0)
Solder Pin: Brass,Tin Plated

额定电压: 125V
额定电流: 8A
塑件: 尼龙66 (UL 94V-0)
触点材料: 黄铜, 镀锡



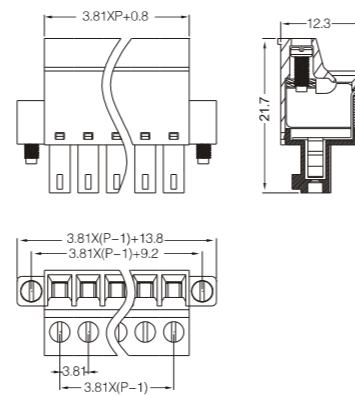
XY2500F-JS

Poles:Any poles(2-14P)
Pitch:3.81mm



Voltage Rating: 125V
Current Rating: 8A
Wire range: 22-16AWG 1.5mm²
Housing: PA66(UL 94V-0)
Wire Cage: Steel(Zinc Plated)
Clamp: Phosphor Bronze,Nickel Plated
Screw: M2.0,Steel(A3),Zinc Plated
Torque: 0.2N.m

额定电压: 125V
额定电流: 8A
使用线径: 22-16AWG 1.5mm²
塑件: 尼龙66 (UL 94V-0)
接触保护材料: 铁, 镀锌
弹片(触点)材料: 磷青铜, 镀镍
螺丝材料: M2.0, A3钢, 镀锌
扭矩: 0.2N.m



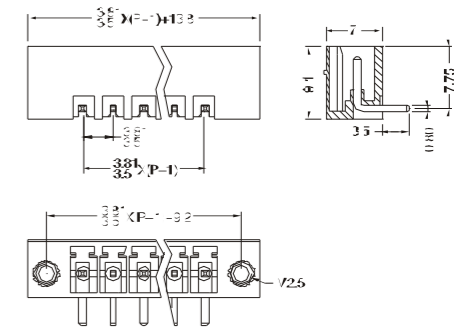
XY2500R-FS(3.81) XY2500R-GS(3.5)

Poles:Any poles(2-14P)
Pitch:3.81mm 3.5mm



Voltage Rating: 125V
Current Rating: 8A
Housing: PA66(UL 94V-0)
Solder Pin: Brass,Tin Plated

额定电压: 125V
额定电流: 8A
塑件: 尼龙66 (UL 94V-0)
触点材料: 黄铜, 镀锡



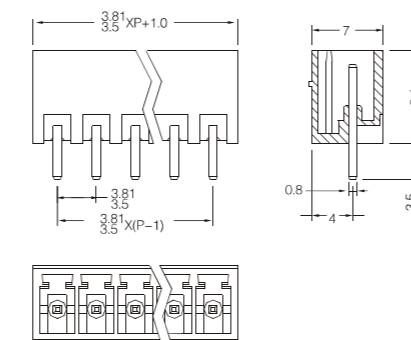
XY2500V-E(3.81) XY2500V-F(3.5)

Poles:Any poles(2-16P)
Pitch:3.81mm 3.5mm



Voltage Rating: 125V
Current Rating: 8A
Housing: PA66(UL 94V-0)
Solder Pin: Brass,Tin Plated

额定电压: 125V
额定电流: 8A
塑件: 尼龙66 (UL 94V-0)
触点材料: 黄铜, 镀锡



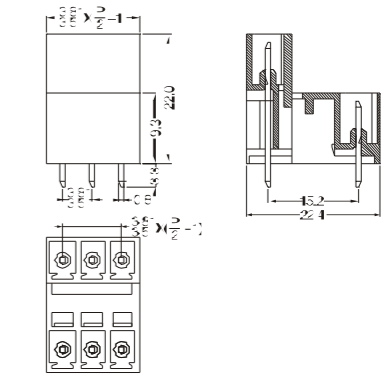
XY2500TV-E(3.81) XY2500TV-F(3.5)

Poles:Any poles(4-32P)
Pitch:3.81mm 3.5mm



Voltage Rating: 125V
Current Rating: 8A
Housing: PA66(UL 94V-0)
Solder Pin: Brass,Tin Plated

额定电压: 125V
额定电流: 8A
塑件: 尼龙66 (UL 94V-0)
触点材料: 黄铜, 镀锡



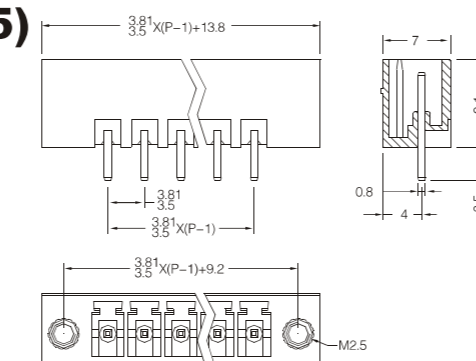
XY2500V-ES(3.81) XY2500V-FS(3.5)

Poles:Any poles(2-14P)
Pitch:3.81mm 3.5mm



Voltage Rating: 125V
Current Rating: 8A
Housing: PA66(UL 94V-0)
Solder Pin: Brass,Tin Plated

额定电压: 125V
额定电流: 8A
塑件: 尼龙66 (UL 94V-0)
触点材料: 黄铜, 镀锡



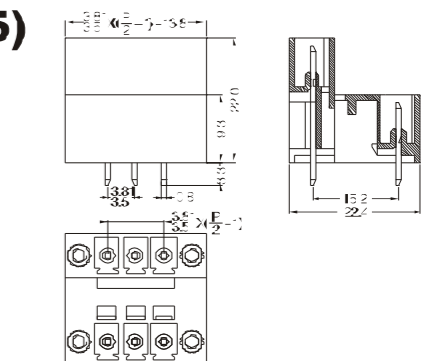
XY2500TV-ES(3.81) XY2500TV-FS(3.5)

Poles:Any poles(4-28P)
Pitch:3.81mm 3.5mm



Voltage Rating: 125V
Current Rating: 8A
Housing: PA66(UL 94V-0)
Solder Pin: Brass,Tin Plated

额定电压: 125V
额定电流: 8A
塑件: 尼龙66 (UL 94V-0)
触点材料: 黄铜, 镀锡



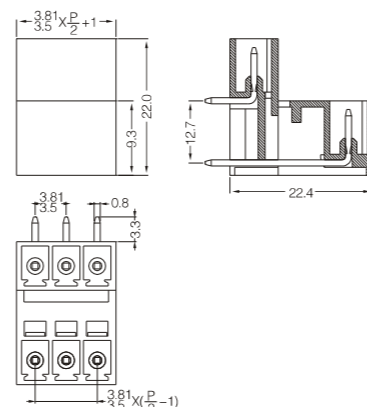
XY2500TR-E(3.81) XY2500TR-F(3.5)

Poles:Any poles(4-32P)
Pitch:3.81mm 3.5mm



Voltage Rating: 125V
Current Rating: 8A
Housing: PA66(UL 94V-0)
Solder Pin: Brass,Tin Plated

额定电压: 125V
额定电流: 8A
塑件: 尼龙66 (UL 94V-0)
触点材料: 黄铜, 镀锡



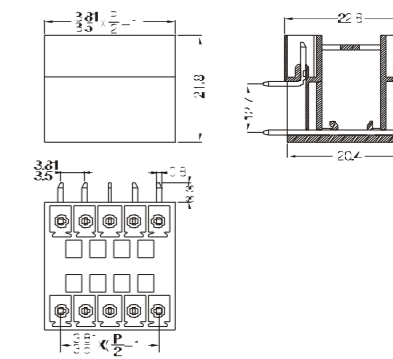
XY2500HR-E(3.81) XY2500HR-F(3.5)

Poles:Any poles(4-32P)
Pitch:3.81mm 3.5mm



Voltage Rating: 125V
Current Rating: 8A
Housing: PA66(UL 94V-0)
Solder Pin: Brass,Tin Plated

额定电压: 125V
额定电流: 8A
塑件: 尼龙66 (UL 94V-0)
触点材料: 黄铜, 镀锡



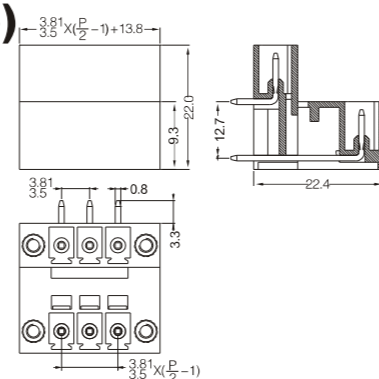
XY2500TR-ES(3.81) XY2500TR-FS(3.5)

Poles:Any poles(4-28P)
Pitch:3.81mm 3.5mm



Voltage Rating: 125V
Current Rating: 8A
Housing: PA66(UL 94V-0)
Solder Pin: Brass,Tin Plated

额定电压: 125V
额定电流: 8A
塑件: 尼龙66 (UL 94V-0)
触点材料: 黄铜, 镀锡



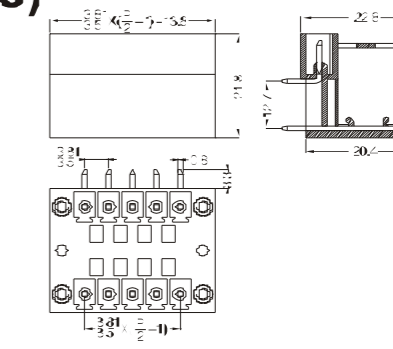
XY2500HR-ES(3.81) XY2500HR-FS(3.5)

Poles:Any poles(4-28P)
Pitch:3.81mm 3.5mm



Voltage Rating: 125V
Current Rating: 8A
Housing: PA66(UL 94V-0)
Solder Pin: Brass,Tin Plated

额定电压: 125V
额定电流: 8A
塑件: 尼龙66 (UL 94V-0)
触点材料: 黄铜, 镀锡



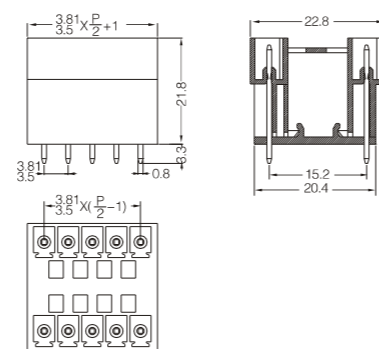
XY2500HV-E(3.81) XY2500HV-F(3.5)

Poles:Any poles(4-32P)
Pitch:3.81mm 3.5mm



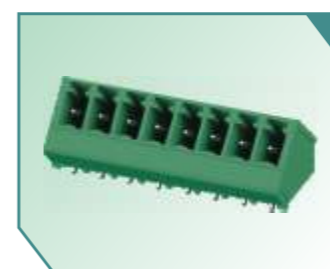
Voltage Rating: 125V
Current Rating: 8A
Housing: PA66(UL 94V-0)
Solder Pin: Brass,Tin Plated

额定电压: 125V
额定电流: 8A
塑件: 尼龙66 (UL 94V-0)
触点材料: 黄铜, 镀锡



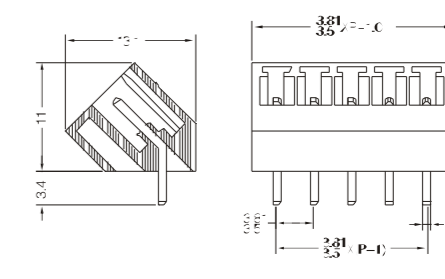
XY2500L-E(3.81) XY2500L-F(3.5)

Poles:Any poles(2-16P)
Pitch:3.81mm 3.5mm



Voltage Rating: 125V
Current Rating: 8A
Housing: PA66(UL 94V-0)
Solder Pin: Brass,Tin Plated

额定电压: 125V
额定电流: 8A
塑件: 尼龙66 (UL 94V-0)
触点材料: 黄铜, 镀锡



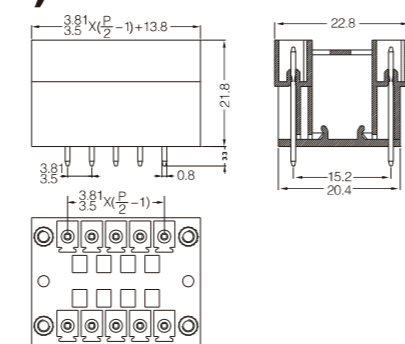
XY2500HV-ES(3.81) XY2500HV-FS(3.5)

Poles:Any poles(4-28P)
Pitch:3.81mm 3.5mm



Voltage Rating: 125V
Current Rating: 8A
Housing: PA66(UL 94V-0)
Solder Pin: Brass,Tin Plated

额定电压: 125V
额定电流: 8A
塑件: 尼龙66 (UL 94V-0)
触点材料: 黄铜, 镀锡



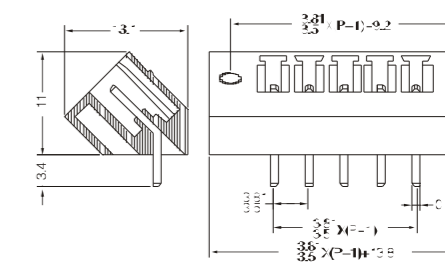
XY2500L-ES(3.81) XY2500L-FS(3.5)

Poles:Any poles(2-14P)
Pitch:3.81mm 3.5mm



Voltage Rating: 125V
Current Rating: 8A
Housing: PA66(UL 94V-0)
Solder Pin: Brass,Tin Plated

额定电压: 125V
额定电流: 8A
塑件: 尼龙66 (UL 94V-0)
触点材料: 黄铜, 镀锡



XY2500F-M(7.5)

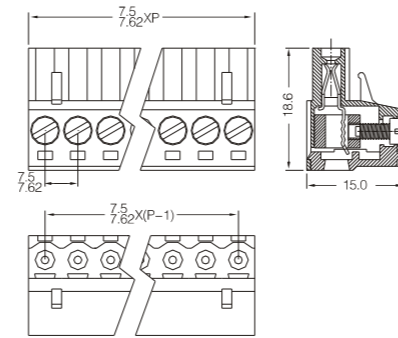
Poles:Any poles(2-24P)
Pitch:7.5mm 7.62mm



XY2500F-N(7.62)

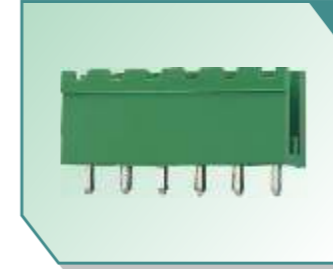
Voltage Rating: 300V
Current Rating: 12A
Wire range: 18-12AWG 2.5mm²
Housing: PA66(UL 94V-0)
Wire Cage: Brass(Nickel Plated)or
Steel(Zinc plated)
Clamp: Phosphor Bronze,Nickel Plated
Screw: M2.5,Steel(A3),Zinc Plated
Torque: 0.4N.m

额定电压: 300V
额定电流: 12A
使用线径: 18-12AWG 2.5mm²
塑件: 尼龙66 (UL 94V-0)
接触保护材料: 黄铜, 镀锌
或铁, 镀锌
弹片(触点)材料: 磷青铜, 镀锌
螺丝材料: M2.5, A3钢, 镀锌
扭矩: 0.4N.m



XY2500V-M(7.5)

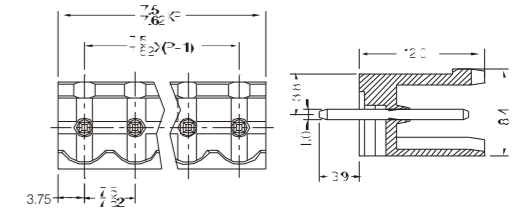
Poles:Any poles(2-24P)
Pitch:7.5mm 7.62mm



XY2500V-N(7.62)

Voltage Rating: 300V
Current Rating: 12A
Housing: PA66(UL 94V-0)
Solder Pin: Brass,Tin Plated

额定电压: 300V
额定电流: 12A
塑件: 尼龙66 (UL 94V-0)
触点材料: 黄铜, 镀锌



XY2500F-MS(7.5)

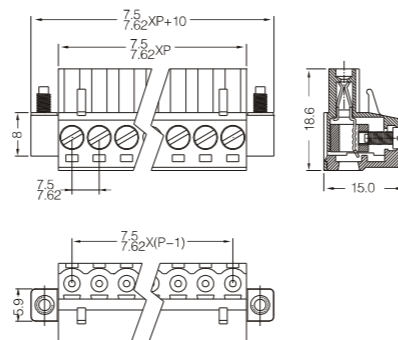
Poles:Any poles(2-22P)
Pitch:7.5mm 7.62mm



XY2500F-NS(7.62)

Voltage Rating: 300V
Current Rating: 12A
Wire range: 18-12AWG 2.5mm²
Housing: PA66(UL 94V-0)
Wire Cage: Brass(Nickel Plated)or
Steel(Zinc plated)
Clamp: Phosphor Bronze,Nickel Plated
Screw: M2.5,Steel(A3),Zinc Plated
Torque: 0.4N.m

额定电压: 300V
额定电流: 12A
使用线径: 18-12AWG 2.5mm²
塑件: 尼龙66 (UL 94V-0)
接触保护材料: 黄铜, 镀锌
或铁, 镀锌
弹片(触点)材料: 磷青铜, 镀锌
螺丝材料: M2.5, A3钢, 镀锌
扭矩: 0.4N.m



XY2500V-P(7.5)

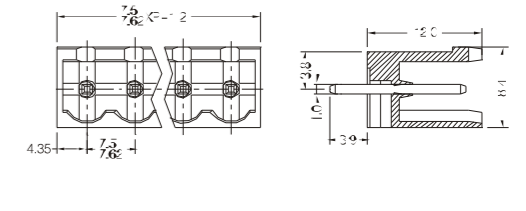
Poles:Any poles(2-24P)
Pitch:7.5mm 7.62mm



XY2500V-Q(7.62)

Voltage Rating: 300V
Current Rating: 12A
Housing: PA66(UL 94V-0)
Solder Pin: Brass,Tin Plated

额定电压: 300V
额定电流: 12A
塑件: 尼龙66 (UL 94V-0)
触点材料: 黄铜, 镀锌



XY2500F-P(7.5)

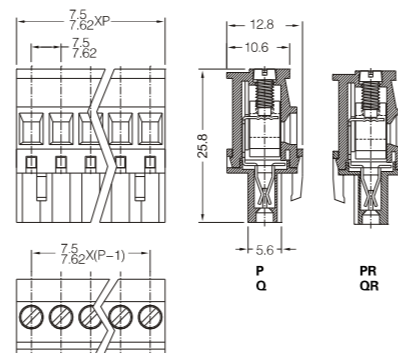
Poles:Any poles(2-24P)
Pitch:7.5mm 7.62mm



XY2500F-Q(7.62)

Voltage Rating: 300V
Current Rating: 12A
Wire range: 18-12AWG 2.5mm²
Housing: PA66(UL 94V-0)
Wire Cage: Brass(Nickel Plated)
Clamp: Phosphor Bronze,Nickel Plated
Screw: M3.0,Steel(A3),Zinc Plated
Torque: 0.5N.m

额定电压: 300V
额定电流: 12A
使用线径: 18-12AWG 2.5mm²
塑件: 尼龙66 (UL 94V-0)
接触保护材料: 黄铜, 镀锌
弹片(触点)材料: 磷青铜, 镀锌
螺丝材料: M3.0, A3钢, 镀锌
扭矩: 0.5N.m



XY2500F-PR(7.5)

XY2500F-QR(7.62)

XY2500V-PS(7.5)

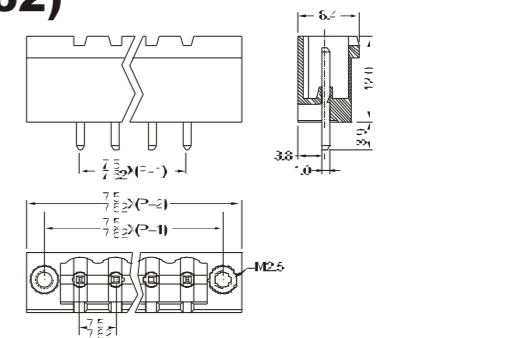
Poles:Any poles(2-22P)
Pitch:7.5mm 7.62mm



XY2500V-QS(7.62)

Voltage Rating: 300V
Current Rating: 12A
Housing: PA66(UL 94V-0)
Solder Pin: Brass,Tin Plated

额定电压: 300V
额定电流: 12A
塑件: 尼龙66 (UL 94V-0)
触点材料: 黄铜, 镀锌



XY2500F-PS(7.5)

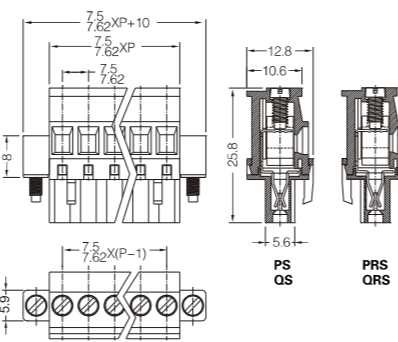
Poles:Any poles(2-22P)
Pitch:7.5mm 7.62mm



XY2500F-QS(7.62)

Voltage Rating: 300V
Current Rating: 12A
Wire range: 18-12AWG 2.5mm²
Housing: PA66(UL 94V-0)
Wire Cage: Brass(Nickel Plated)
Clamp: Phosphor Bronze,Nickel Plated
Screw: M3.0,Steel(A3),Zinc Plated
Torque: 0.5N.m

额定电压: 300V
额定电流: 12A
使用线径: 18-12AWG 2.5mm²
塑件: 尼龙66 (UL 94V-0)
接触保护材料: 黄铜, 镀锌
弹片(触点)材料: 磷青铜, 镀锌
螺丝材料: M3.0, A3钢, 镀锌
扭矩: 0.5N.m



XY2500F-PRS(7.5)

XY2500F-QRS(7.62)

XY2500R-M(7.5)

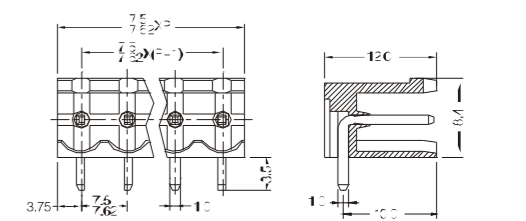
Poles:Any poles(2-24P)
Pitch:7.5mm 7.62mm



XY2500R-N(7.62)

Voltage Rating: 300V
Current Rating: 12A
Housing: PA66(UL 94V-0)
Solder Pin: Brass,Tin Plated

额定电压: 300V
额定电流: 12A
塑件: 尼龙66 (UL 94V-0)
触点材料: 黄铜, 镀锌



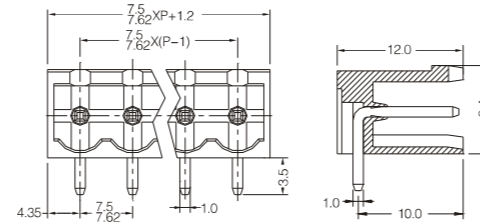
XY2500R-P(7.5) XY2500R-Q(7.62)

Poles: Any poles(2-24P)
Pitch: 7.5mm 7.62mm



Voltage Rating: 300V
Current Rating: 12A
Housing: PA66(UL 94V-0)
Solder Pin: Brass, Tin Plated

额定电压: 300V
额定电流: 12A
塑件: 尼龙66 (UL 94V-0)
触点材料: 黄铜, 镀锡



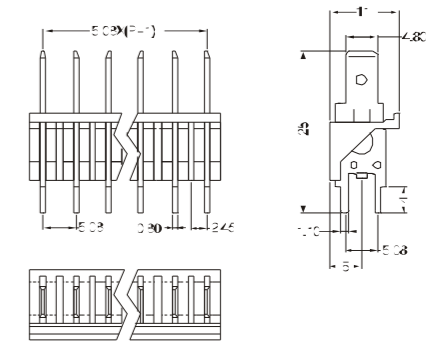
XY256V-B

Poles: Any poles(2-25P)
Pitch: 5.08mm & 7.62mm



Voltage Rating: 250V
Current Rating: 12A
Housing: PC
Solder Pin: Brass, Tin Plated

额定电压: 250V
额定电流: 12A
塑件: PC
触点材料: 黄铜, 镀锡



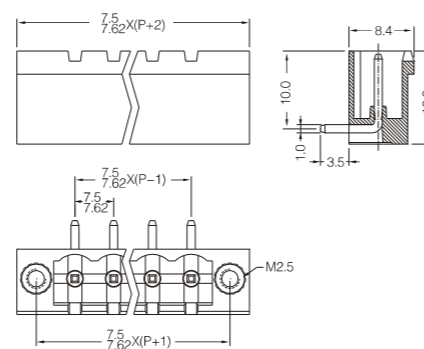
XY2500R-PS(7.5) XY2500R-QS(7.62)

Poles: Any poles(2-22P)
Pitch: 7.5mm 7.62mm



Voltage Rating: 300V
Current Rating: 12A
Housing: PA66(UL 94V-0)
Solder Pin: Brass, Tin Plated

额定电压: 300V
额定电流: 12A
塑件: 尼龙66 (UL 94V-0)
触点材料: 黄铜, 镀锡



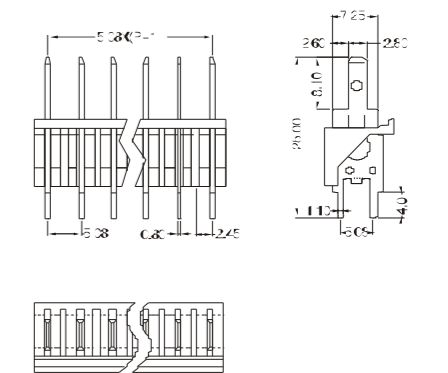
XY256V-C

Poles: Any poles(2-25P)
Pitch: 5.08mm & 7.62mm



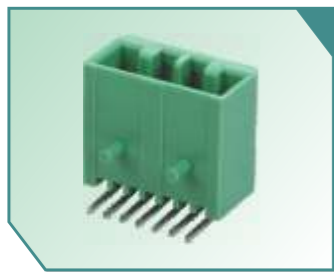
Voltage Rating: 250V
Current Rating: 12A
Housing: PC
Solder Pin: Brass, Tin Plated

额定电压: 250V
额定电流: 12A
塑件: PC
触点材料: 黄铜, 镀锡



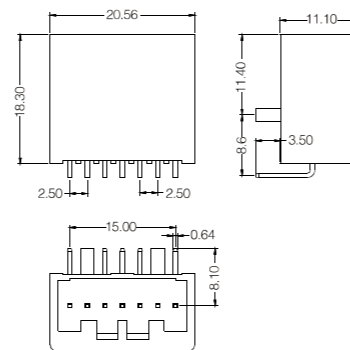
XY2501

Poles: 7P
Pitch: 2.5mm



Voltage Rating: 125V
Current Rating: 8A
Housing: PA66 (UL 94V-0)
Terminal Block: Brass, Nickel Plated

额定电压: 125V
额定电流: 8A
塑件: 尼龙66 (UL 94V-0)
触点材料: 黄铜, 镀锡



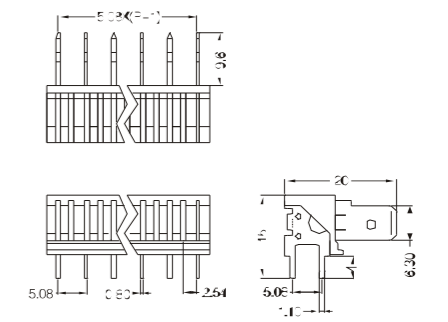
XY256R-A

Poles: Any poles(2-25P)
Pitch: 5.08mm & 7.62mm



Voltage Rating: 250V
Current Rating: 12A
Housing: PC
Solder Pin: Brass, Tin Plated

额定电压: 250V
额定电流: 12A
塑件: PC
触点材料: 黄铜, 镀锡



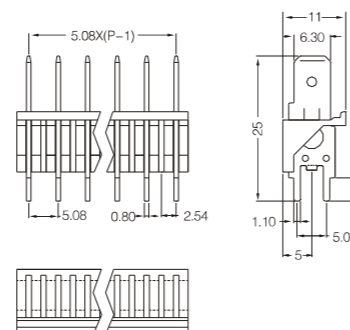
XY256V-A

Poles: Any poles(2-25P)
Pitch: 5.08mm & 7.62mm



Voltage Rating: 250V
Current Rating: 12A
Housing: PC
Solder Pin: Brass, Tin Plated

额定电压: 250V
额定电流: 12A
塑件: PC
触点材料: 黄铜, 镀锡



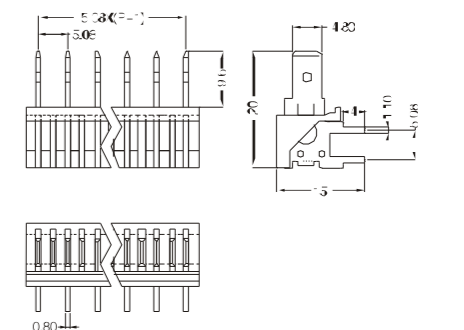
XY256R-B

Poles: Any poles(2-25P)
Pitch: 5.08mm & 7.62mm



Voltage Rating: 250V
Current Rating: 12A
Housing: PC
Solder Pin: Brass, Tin Plated

额定电压: 250V
额定电流: 12A
塑件: PC
触点材料: 黄铜, 镀锡



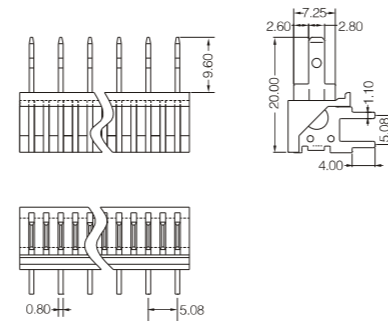
XY256R-C

Poles: Any poles(2-25P)
Pitch: 5.08mm & 7.62mm



Voltage Rating: 250V
Current Rating: 12A
Housing: PC
Solder Pin: Brass, Tin Plated

额定电压: 250V
额定电流: 12A
塑件: PC
触点材料: 黄铜, 镀锡



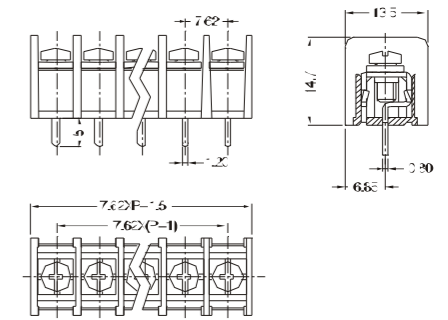
XY825A

Poles: Any poles(2-33P)
Pitch: 7.62mm



Voltage Rating: 300V
Current Rating: 10A
Wire range: 22-14AWG 1.5mm²
Housing: PA66 (UL 94V-0)
Solder Pin: Brass, Tin Plated
Screw: M3, Steel(A3), Zinc Plated
Torque: 0.8N.m

额定电压: 300V
额定电流: 10A
使用线径: 22-14AWG 1.5mm²
塑件: 尼龙66 (UL 94V-0)
端子材料: 黄铜, 镀锡
螺丝材料: M3, A3钢, 镀锌
扭矩: 0.8N.m



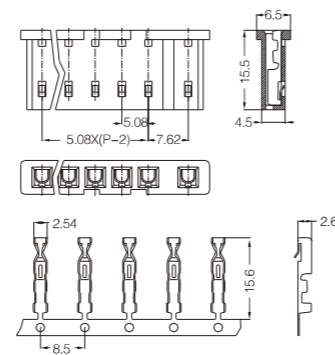
XY258F

Poles: 2P/3P/4P/5P/6P/7P/8P/11P
Pitch: 5.08mm



Voltage Rating: 250V
Current Rating: 4A
Housing: PPO
Clamp: Phosphor Bronze, Tin Plated

额定电压: 250V
额定电流: 4A
塑件: PPO
簧片: 磷青铜, 镀锡



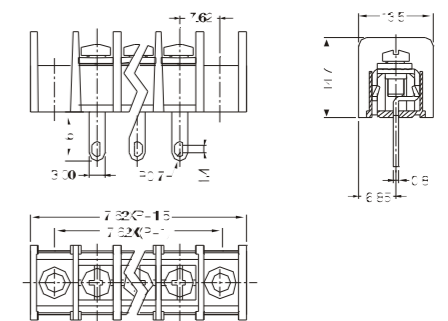
XY825B

Poles: Any poles(2-33P)
Pitch: 7.62mm



Voltage Rating: 300V
Current Rating: 10A
Wire range: 22-14AWG 1.5mm²
Housing: PA66 (UL 94V-0)
Solder Pin: Brass, Tin Plated
Screw: M3, Steel(A3), Zinc Plated
Torque: 0.8N.m

额定电压: 300V
额定电流: 10A
使用线径: 22-14AWG 1.5mm²
塑件: 尼龙66 (UL 94V-0)
端子材料: 黄铜, 镀锡
螺丝材料: M3, A3钢, 镀锌
扭矩: 0.8N.m



XY258V

Poles: 2P/3P/4P/5P/6P/7P/8P/11P
Pitch: 5.08mm

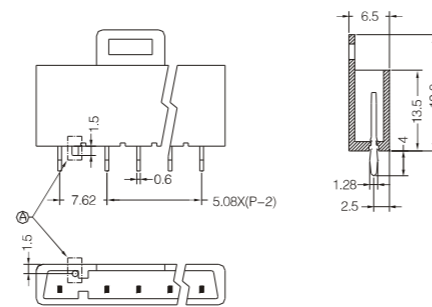


Voltage Rating: 250V
Current Rating: 4A
Housing: PA66(UL94V-0)
Solder: Brass, Tin Plated

Note: The protrusile point which is marked with "A" only exists in the 2 pin type product

额定电压: 250V
额定电流: 4A
塑件: 尼龙66(UL94V-0)
触点材料: 黄铜, 镀锡

注意: 标记 "A" 处的柱子只在2P的产品上有



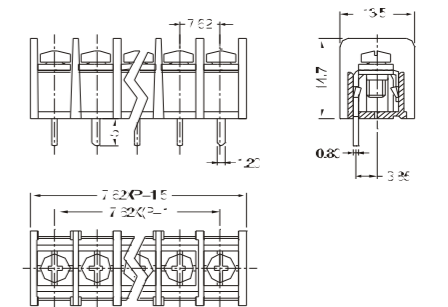
XY825C

Poles: Any poles(2-33P)
Pitch: 7.62mm



Voltage Rating: 300V
Current Rating: 10A
Wire range: 22-14AWG 1.5mm²
Housing: PA66 (UL 94V-0)
Solder Pin: Brass, Tin Plated
Screw: M3, Steel(A3), Zinc Plated
Torque: 0.8N.m

额定电压: 300V
额定电流: 10A
使用线径: 22-14AWG 1.5mm²
塑件: 尼龙66 (UL 94V-0)
端子材料: 黄铜, 镀锡
螺丝材料: M3, A3钢, 镀锌
扭矩: 0.8N.m



XY258R

Poles: 2P/3P/4P/5P/6P/7P/8P/11P
Pitch: 5.08mm

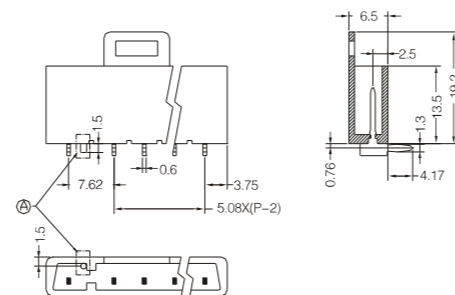


Voltage Rating: 250V
Current Rating: 4A
Housing: PA66(UL94V-0)
Solder: Brass, Tin Plated

Note: The protrusile point which is marked with "A" only exists in the 2 pin type product

额定电压: 250V
额定电流: 4A
塑件: 尼龙66(UL94V-0)
触点材料: 黄铜, 镀锡

注意: 标记 "A" 处的柱子只在2P的产品上有



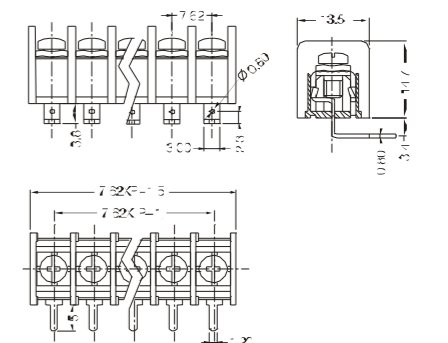
XY825D

Poles: Any poles(2-33P)
Pitch: 7.62mm



Voltage Rating: 300V
Current Rating: 10A
Wire range: 22-14AWG 1.5mm²
Housing: PA66 (UL 94V-0)
Solder Pin: Brass, Tin Plated
Screw: M3, Steel(A3), Zinc Plated
Torque: 0.8N.m

额定电压: 300V
额定电流: 10A
使用线径: 22-14AWG 1.5mm²
塑件: 尼龙66 (UL 94V-0)
端子材料: 黄铜, 镀锡
螺丝材料: M3, A3钢, 镀锌
扭矩: 0.8N.m



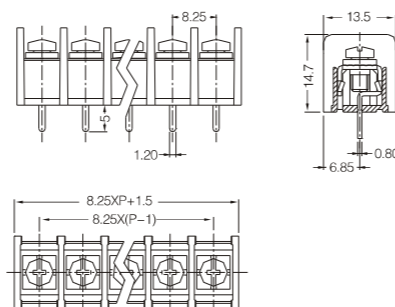
XY835A

Poles: Anly poles(2-32P)
Pitch: 8.25mm



Voltage Rating: 300V
Current Rating: 15A
Wire range: 22-12AWG 3.3mm²
Housing: PA66 (UL 94V-0)
Solder Pin: Brass,Tin Plated
Screw: M3,Steel(A3),Zinc Plated
Torque: 0.8N.m

额定电压: 300V
额定电流: 15A
使用线径: 22-12AWG 3.3mm²
塑件: 尼龙66 (UL 94V-0)
端子材料: 黄铜, 镀锡
螺丝材料: M3, A3钢, 镀锌
扭矩: 0.8N.m



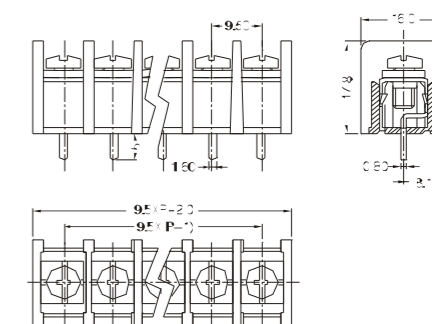
XY845A

Poles: Anly poles(2-30P)
Pitch: 9.5mm



Voltage Rating: 300V
Current Rating: 20A
Wire range: 22-12AWG 3.3mm²
Housing: PA66 (UL 94V-0)
Solder Pin: Brass,Tin Plated
Screw: M3.5,Steel(A3),Zinc Plated
Torque: 1N.m

额定电压: 300V
额定电流: 20A
使用线径: 22-12AWG 3.3mm²
塑件: 尼龙66 (UL 94V-0)
端子材料: 黄铜, 镀锡
螺丝材料: M3.5, A3钢, 镀锌
扭矩: 1N.m



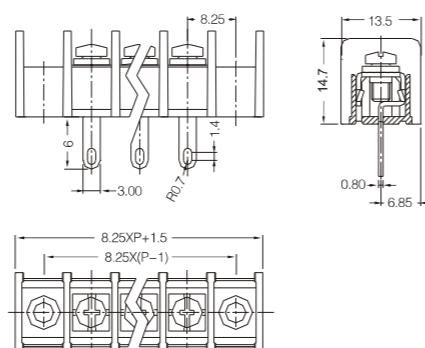
XY835B

Poles: Anly poles(2-32P)
Pitch: 8.25mm



Voltage Rating: 300V
Current Rating: 15A
Wire range: 22-12AWG 3.3mm²
Housing: PA66 (UL 94V-0)
Solder Pin: Brass,Tin Plated
Screw: M3,Steel(A3),Zinc Plated
Torque: 0.8N.m

额定电压: 300V
额定电流: 15A
使用线径: 22-12AWG 3.3mm²
塑件: 尼龙66 (UL 94V-0)
端子材料: 黄铜, 镀锡
螺丝材料: M3, A3钢, 镀锌
扭矩: 0.8N.m



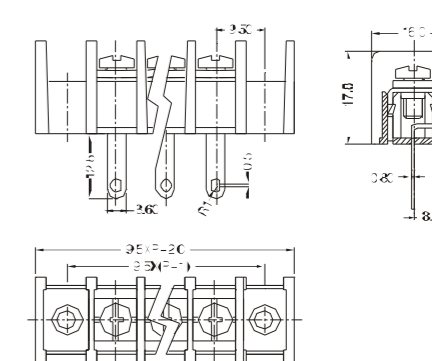
XY845B

Poles: Anly poles(2-30P)
Pitch: 9.5mm



Voltage Rating: 300V
Current Rating: 20A
Wire range: 22-12AWG 3.3mm²
Housing: PA66 (UL 94V-0)
Solder Pin: Brass,Tin Plated
Screw: M3.5,Steel(A3),Zinc Plated
Torque: 1N.m

额定电压: 300V
额定电流: 20A
使用线径: 22-12AWG 3.3mm²
塑件: 尼龙66 (UL 94V-0)
端子材料: 黄铜, 镀锡
螺丝材料: M3.5, A3钢, 镀锌
扭矩: 1N.m



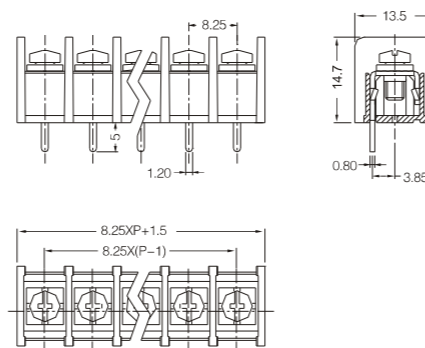
XY835C

Poles: Anly poles(2-32P)
Pitch: 8.25mm



Voltage Rating: 300V
Current Rating: 15A
Wire range: 22-12AWG 3.3mm²
Housing: PA66 (UL 94V-0)
Solder Pin: Brass,Tin Plated
Screw: M3,Steel(A3),Zinc Plated
Torque: 0.8N.m

额定电压: 300V
额定电流: 15A
使用线径: 22-12AWG 3.3mm²
塑件: 尼龙66 (UL 94V-0)
端子材料: 黄铜, 镀锡
螺丝材料: M3, A3钢, 镀锌
扭矩: 0.8N.m



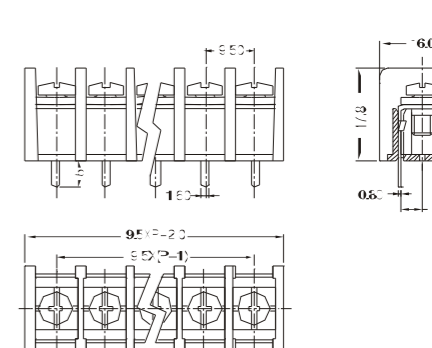
XY845C

Poles: Anly poles(2-30P)
Pitch: 9.5mm



Voltage Rating: 300V
Current Rating: 20A
Wire range: 22-12AWG 3.3mm²
Housing: PA66 (UL 94V-0)
Solder Pin: Brass,Tin Plated
Screw: M3.5,Steel(A3),Zinc Plated
Torque: 1N.m

额定电压: 300V
额定电流: 20A
使用线径: 22-12AWG 3.3mm²
塑件: 尼龙66 (UL 94V-0)
端子材料: 黄铜, 镀锡
螺丝材料: M3.5, A3钢, 镀锌
扭矩: 1N.m



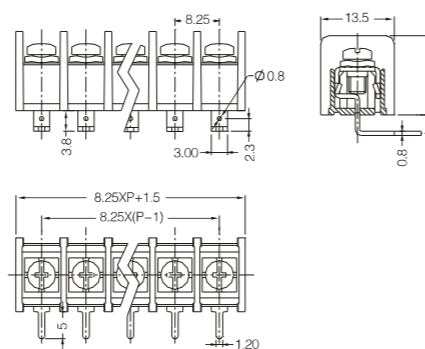
XY835D

Poles: Anly poles(2-32P)
Pitch: 8.25mm



Voltage Rating: 300V
Current Rating: 15A
Wire range: 22-12AWG 3.3mm²
Housing: PA66 (UL 94V-0)
Solder Pin: Brass,Tin Plated
Screw: M3,Steel(A3),Zinc Plated
Torque: 0.8N.m

额定电压: 300V
额定电流: 15A
使用线径: 22-12AWG 3.3mm²
塑件: 尼龙66 (UL 94V-0)
端子材料: 黄铜, 镀锡
螺丝材料: M3, A3钢, 镀锌
扭矩: 0.8N.m



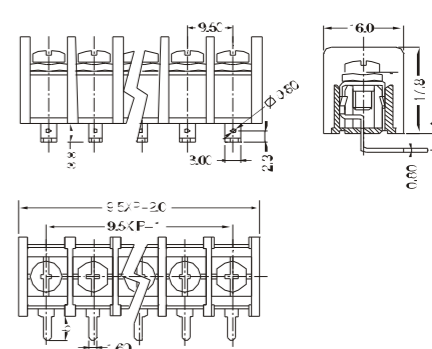
XY845D

Poles: Anly poles(2-30P)
Pitch: 9.5mm



Voltage Rating: 300V
Current Rating: 20A
Wire range: 22-12AWG 3.3mm²
Housing: PA66 (UL 94V-0)
Solder Pin: Brass,Tin Plated
Screw: M3.5,Steel(A3),Zinc Plated
Torque: 1N.m

额定电压: 300V
额定电流: 20A
使用线径: 22-12AWG 3.3mm²
塑件: 尼龙66 (UL 94V-0)
端子材料: 黄铜, 镀锡
螺丝材料: M3.5, A3钢, 镀锌
扭矩: 1N.m



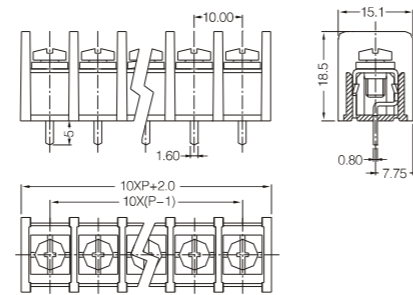
XY855A

Poles: Any poles(2-30P)
Pitch: 10mm



Voltage Rating: 300V
Current Rating: 20A
Wire range: 22-12AWG 3.3mm²
Housing: PA66 (UL 94V-0)
Solder Pin: Brass, Tin Plated
Screw: M3.5, Steel(A3), Zinc Plated
Torque: 1N.m

额定电压: 300V
额定电流: 20A
使用线径: 22-12AWG 3.3mm²
塑件: 尼龙66 (UL 94V-0)
端子材料: 黄铜, 镀锡
螺丝材料: M3.5, A3钢, 镀锌
扭矩: 1N.m



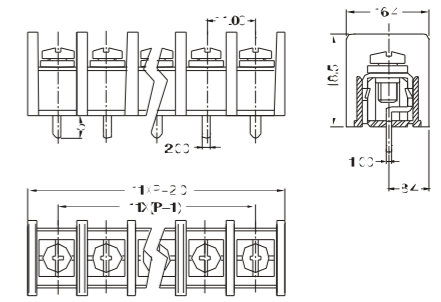
XY865A

Poles: Any poles(2-30P)
Pitch: 11mm



Voltage Rating: 300V
Current Rating: 25A
Wire range: 22-12AWG 3.3mm²
Housing: PA66 (UL 94V-0)
Solder Pin: Brass, Tin Plated
Screw: M4, Steel(A3), Zinc Plated
Torque: 1.4N.m

额定电压: 300V
额定电流: 25A
使用线径: 22-12AWG 3.3mm²
塑件: 尼龙66 (UL 94V-0)
端子材料: 黄铜, 镀锡
螺丝材料: M4, A3钢, 镀锌
扭矩: 1.4N.m



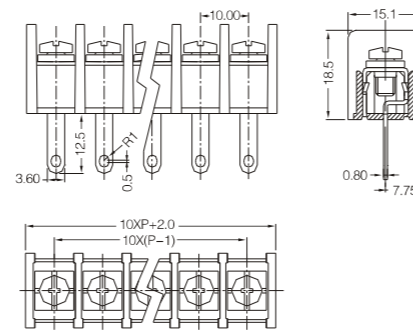
XY855B

Poles: Any poles(2-30P)
Pitch: 10mm



Voltage Rating: 300V
Current Rating: 20A
Wire range: 22-12AWG 3.3mm²
Housing: PA66 (UL 94V-0)
Solder Pin: Brass, Tin Plated
Screw: M3.5, Steel(A3), Zinc Plated
Torque: 1N.m

额定电压: 300V
额定电流: 20A
使用线径: 22-12AWG 3.3mm²
塑件: 尼龙66 (UL 94V-0)
端子材料: 黄铜, 镀锡
螺丝材料: M3.5, A3钢, 镀锌
扭矩: 1N.m



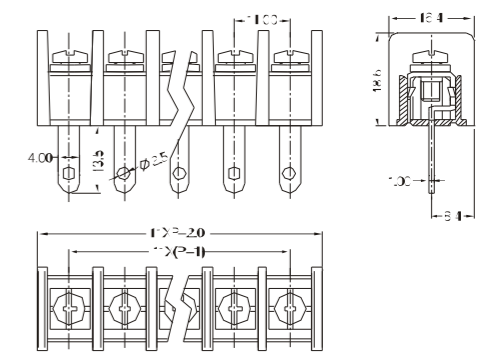
XY865B

Poles: Any poles(2-30P)
Pitch: 11mm



Voltage Rating: 300V
Current Rating: 25A
Wire range: 22-12AWG 3.3mm²
Housing: PA66 (UL 94V-0)
Solder Pin: Brass, Tin Plated
Screw: M4, Steel(A3), Zinc Plated
Torque: 1.4N.m

额定电压: 300V
额定电流: 25A
使用线径: 22-12AWG 3.3mm²
塑件: 尼龙66 (UL 94V-0)
端子材料: 黄铜, 镀锡
螺丝材料: M4, A3钢, 镀锌
扭矩: 1.4N.m



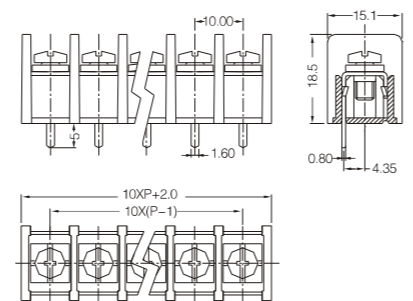
XY855C

Poles: Any poles(2-30P)
Pitch: 10mm



Voltage Rating: 300V
Current Rating: 20A
Wire range: 22-12AWG 3.3mm²
Housing: PA66 (UL 94V-0)
Solder Pin: Brass, Tin Plated
Screw: M3.5, Steel(A3), Zinc Plated
Torque: 1N.m

额定电压: 300V
额定电流: 20A
使用线径: 22-12AWG 3.3mm²
塑件: 尼龙66 (UL 94V-0)
端子材料: 黄铜, 镀锡
螺丝材料: M3.5, A3钢, 镀锌
扭矩: 1N.m



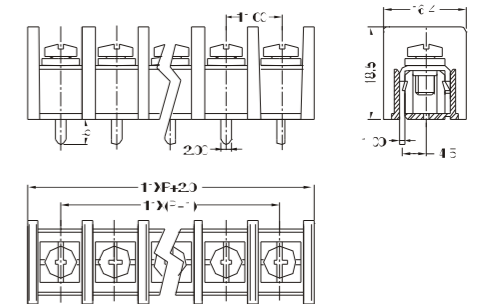
XY865C

Poles: Any poles(2-30P)
Pitch: 11mm



Voltage Rating: 300V
Current Rating: 25A
Wire range: 22-12AWG 3.3mm²
Housing: PA66 (UL 94V-0)
Solder Pin: Brass, Tin Plated
Screw: M4, Steel(A3), Zinc Plated
Torque: 1.4N.m

额定电压: 300V
额定电流: 25A
使用线径: 22-12AWG 3.3mm²
塑件: 尼龙66 (UL 94V-0)
端子材料: 黄铜, 镀锡
螺丝材料: M4, A3钢, 镀锌
扭矩: 1.4N.m



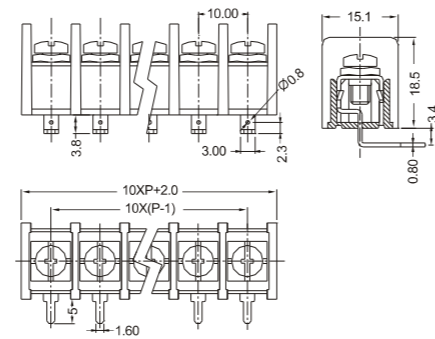
XY855D

Poles: Any poles(2-30P)
Pitch: 10mm



Voltage Rating: 300V
Current Rating: 20A
Wire range: 22-12AWG 3.3mm²
Housing: PA66 (UL 94V-0)
Solder Pin: Brass, Tin Plated
Screw: M3.5, Steel(A3), Zinc Plated
Torque: 1N.m

额定电压: 300V
额定电流: 20A
使用线径: 22-12AWG 3.3mm²
塑件: 尼龙66 (UL 94V-0)
端子材料: 黄铜, 镀锡
螺丝材料: M3.5, A3钢, 镀锌
扭矩: 1N.m



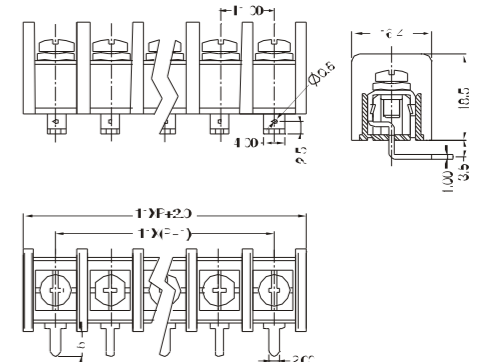
XY865D

Poles: Any poles(2-30P)
Pitch: 11mm



Voltage Rating: 300V
Current Rating: 25A
Wire range: 22-12AWG 3.3mm²
Housing: PA66 (UL 94V-0)
Solder Pin: Brass, Tin Plated
Screw: M4, Steel(A3), Zinc Plated
Torque: 1.4N.m

额定电压: 300V
额定电流: 25A
使用线径: 22-12AWG 3.3mm²
塑件: 尼龙66 (UL 94V-0)
端子材料: 黄铜, 镀锡
螺丝材料: M4, A3钢, 镀锌
扭矩: 1.4N.m



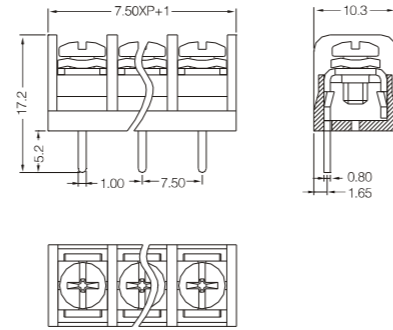
XY875A

Poles: Anly poles(2-33P)
Pitch: 7.5mm



Voltage Rating: 300V
Current Rating: 10A
Wire range: 22-14AWG 1.5mm²
Housing: PA66 (UL 94V-0)
Solder Pin: Brass,Tin Plated
Screw: M3,Steel(A3),Zinc Plated
Torque: 0.8N.m

额定电压: 300V
额定电流: 10A
使用线径: 22-14AWG 1.5mm²
塑件: 尼龙66 (UL 94V-0)
端子材料: 黄铜, 镀锡
螺丝材料: M3, A3钢, 镀锌
扭矩: 0.8N.m



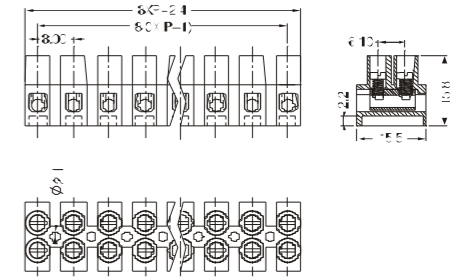
XY800

Poles: Anly poles(2-12P)
Pitch: 8mm



Voltage Rating: 400V
Current Rating: 32A
Wire range: 24-14AWG 4.0mm²
Housing: PA66 (UL 94V-0)
Terminal Block: Brass,Nickel Plated
Screw: M2.5,Steel(A3),Zinc Plated
Torque: 0.5N.m

额定电压: 400V
额定电流: 32A
使用线径: 24-14AWG 4.0mm²
塑件: 尼龙66 (UL 94V-0)
触点材料: 黄铜, 镀镍
螺丝材料: M2.5, A3钢, 镀锌
扭矩: 0.5N.m



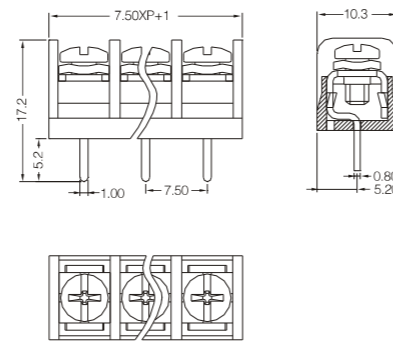
XY875B

Poles: Anly poles(2-33P)
Pitch: 7.5mm



Voltage Rating: 300V
Current Rating: 10A
Wire range: 22-14AWG 1.5mm²
Housing: PA66 (UL 94V-0)
Solder Pin: Brass,Tin Plated
Screw: M3,Steel(A3),Zinc Plated
Torque: 0.8N.m

额定电压: 300V
额定电流: 10A
使用线径: 22-14AWG 1.5mm²
塑件: 尼龙66 (UL 94V-0)
端子材料: 黄铜, 镀锡
螺丝材料: M3, A3钢, 镀锌
扭矩: 0.8N.m



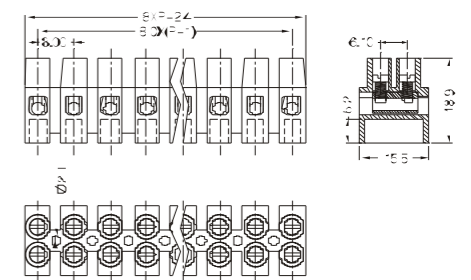
XY800H

Poles: Anly poles(2-12P)
Pitch: 8mm



Voltage Rating: 400V
Current Rating: 32A
Wire range: 24-10AWG 4.0mm²
Housing: PA66 (UL 94V-0)
Terminal Block: Brass,Nickel Plated
Screw: M2.5,Steel(A3),Zinc Plated
Torque: 0.5N.m

额定电压: 400V
额定电流: 32A
使用线径: 24-10AWG 4.0mm²
塑件: 尼龙66 (UL 94V-0)
触点材料: 黄铜, 镀镍
螺丝材料: M2.5, A3钢, 镀锌
扭矩: 0.5N.m

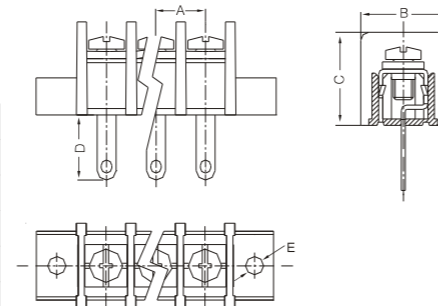


XY825BW,XY835BW,XY845BW,XY855BW,XY865BW

Poles: Anly poles(2-28P)



	A	B	C	D	E
XY825BW	7.62	13.5	14.7	6	∅3.4
XY835BW	8.25	13.5	14.7	6	∅3.4
XY845BW	9.5	16	17.8	12.5	∅3.4
XY855BW	10	15.1	18.5	12.5	∅4
XY865BW	11	16.4	18.5	13.5	∅4



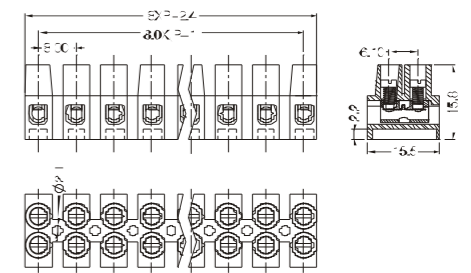
XY800W

Poles: Anly poles(2-12P)
Pitch: 8mm



Voltage Rating: 400V
Current Rating: 17.5A
Wire range: 24-14AWG 1.5mm²
Housing: PA66 (UL 94V-0)
Terminal Block: Brass,Nickel Plated
Screw: M2.5,Steel(A3),Zinc Plated
Torque: 0.5N.m

额定电压: 400V
额定电流: 17.5A
使用线径: 24-14AWG 1.5mm²
塑件: 尼龙66 (UL 94V-0)
触点材料: 黄铜, 镀镍
螺丝材料: M2.5, A3钢, 镀锌
扭矩: 0.5N.m



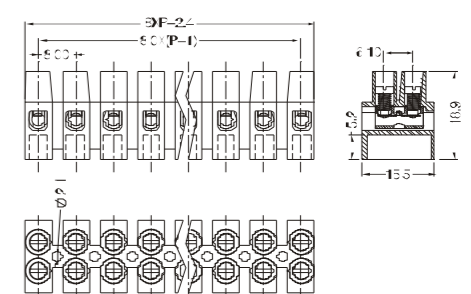
XY800HW

Poles: Anly poles(2-12P)
Pitch: 8mm



Voltage Rating: 400V
Current Rating: 17.5A
Wire range: 22-14AWG 1.5mm²
Housing: PA66 (UL 94V-0)
Terminal Block: Brass,Nickel Plated
Screw: M2.5,Steel(A3),Zinc Plated
Torque: 0.5N.m

额定电压: 400V
额定电流: 17.5A
使用线径: 22-14AWG 1.5mm²
塑件: 尼龙66 (UL 94V-0)
触点材料: 黄铜, 镀镍
螺丝材料: M2.5, A3钢, 镀锌
扭矩: 0.5N.m



	Voltage Rating	Current Rating	Wire range	Screw/Torque
XY825BW	300V	10A	22-14AWG 1.5mm ²	M3/0.8N.m
XY835BW	300V	15A	22-12AWG 3.3mm ²	M3/0.8N.m
XY845BW	300V	20A	22-12AWG 3.3mm ²	M3.5/1N.m
XY855BW	300V	20A	22-12AWG 3.3mm ²	M3.5/1N.m
XY865BW	300V	25A	22-12AWG 3.3mm ²	M4/1.4N.m

	电压	电流	使用线径	螺丝/扭矩
XY825BW	300V	10A	22-14AWG 1.5mm ²	M3/0.8N.m
XY835BW	300V	15A	22-12AWG 3.3mm ²	M3/0.8N.m
XY845BW	300V	20A	22-12AWG 3.3mm ²	M3.5/1N.m
XY855BW	300V	20A	22-12AWG 3.3mm ²	M3.5/1N.m
XY865BW	300V	25A	22-12AWG 3.3mm ²	M4/1.4N.m

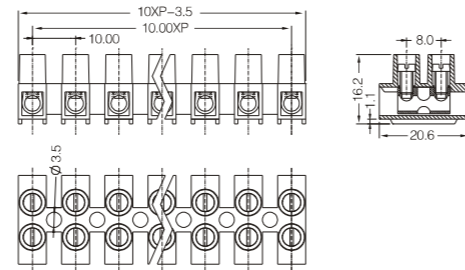
XY801

Poles: Any poles(2-12P)
Pitch: 8mm



Voltage Rating: 400V
Current Rating: 41A
Wire range: 24-10AWG 6.0mm²
Housing: PA66 (UL 94V-0)
Terminal Block: Brass,Nickel Plated
Screw: M3,Steel(A3),Zinc Plated
Torque: 0.5N.m

额定电压: 400V
额定电流: 41A
使用线径: 24-10AWG 6.0mm²
塑件: 尼龙66 (UL 94V-0)
触点材料: 黄铜, 镀镍
螺丝材料: M3, A3钢, 镀锌
扭矩: 0.5N.m



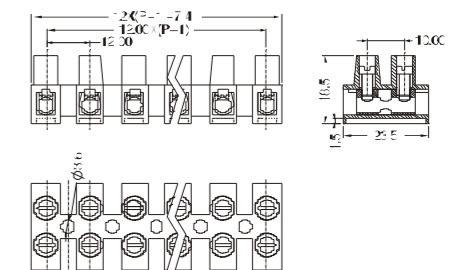
XY802

Poles: Any poles(2-12P)
Pitch: 12mm



Voltage Rating: 500V
Current Rating: 57A
Wire range: 24-10AWG 10.0mm²
Housing: PA66 (UL 94V-0)
Terminal Block: Brass,Nickel Plated
Screw: M3.5,Steel(A3),Zinc Plated
Torque: 0.6N.m

额定电压: 500V
额定电流: 57A
使用线径: 24-10AWG 10.0mm²
塑件: 尼龙66 (UL 94V-0)
触点材料: 黄铜, 镀镍
螺丝材料: M3.5, A3钢, 镀锌
扭矩: 0.6N.m



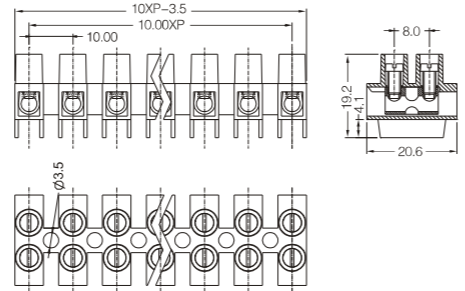
XY801H

Poles: Any poles(2-12P)
Pitch: 10mm



Voltage Rating: 400V
Current Rating: 41A
Wire range: 24-10AWG 6.0mm²
Housing: PA66 (UL 94V-0)
Terminal Block: Brass,Nickel Plated
Screw: M3,Steel(A3),Zinc Plated
Torque: 0.5N.m

额定电压: 400V
额定电流: 41A
使用线径: 24-10AWG 6.0mm²
塑件: 尼龙66 (UL 94V-0)
触点材料: 黄铜, 镀镍
螺丝材料: M3, A3钢, 镀锌
扭矩: 0.5N.m



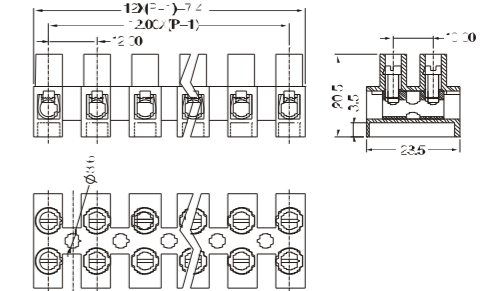
XY802H

Poles: Any poles(2-12P)
Pitch: 12mm



Voltage Rating: 500V
Current Rating: 57A
Wire range: 24-10AWG 10.0mm²
Housing: PA66 (UL 94V-0)
Terminal Block: Brass,Nickel Plated
Screw: M3.5,Steel(A3),Zinc Plated
Torque: 0.6N.m

额定电压: 500V
额定电流: 57A
使用线径: 24-10AWG 10.0mm²
塑件: 尼龙66 (UL 94V-0)
触点材料: 黄铜, 镀镍
螺丝材料: M3.5, A3钢, 镀锌
扭矩: 0.6N.m



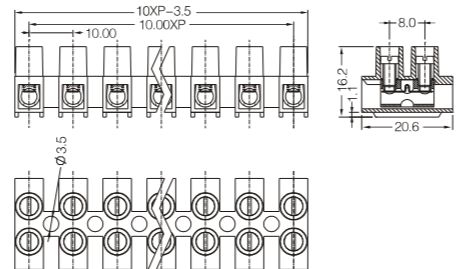
XY801W

Poles: Any poles(2-12P)
Pitch: 10mm



Voltage Rating: 400V
Current Rating: 24A
Wire range: 22-14AWG 2.5mm²
Housing: PA66 (UL 94V-0)
Terminal Block: Brass,Nickel Plated
Screw: M3,Steel(A3),Zinc Plated
Torque: 0.5N.m

额定电压: 400V
额定电流: 24A
使用线径: 22-14AWG 2.5mm²
塑件: 尼龙66 (UL 94V-0)
触点材料: 黄铜, 镀镍
螺丝材料: M3, A3钢, 镀锌
扭矩: 0.5N.m



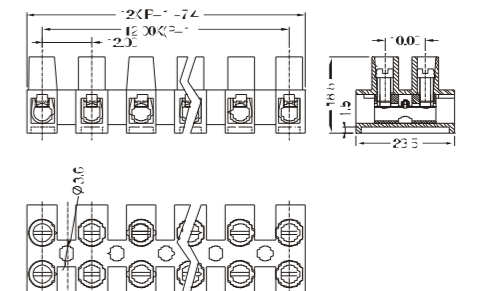
XY802W

Poles: Any poles(2-12P)
Pitch: 12mm



Voltage Rating: 500V
Current Rating: 32A
Wire range: 22-14AWG 4.0mm²
Housing: PA66 (UL 94V-0)
Terminal Block: Brass,Nickel Plated
Screw: M3.5,Steel(A3),Zinc Plated
Torque: 0.6N.m

额定电压: 500V
额定电流: 32A
使用线径: 22-14AWG 4.0mm²
塑件: 尼龙66 (UL 94V-0)
触点材料: 黄铜, 镀镍
螺丝材料: M3.5, A3钢, 镀锌
扭矩: 0.6N.m



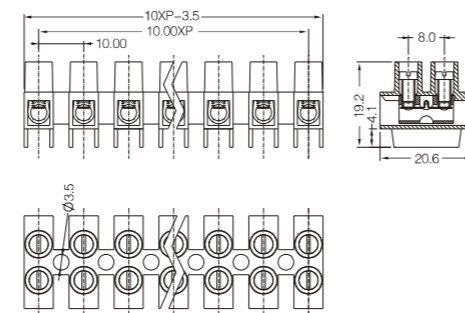
XY801HW

Poles: Any poles(2-12P)
Pitch: 10mm



Voltage Rating: 400V
Current Rating: 24A
Wire range: 22-14AWG 2.5mm²
Housing: PA66 (UL 94V-0)
Terminal Block: Brass,Nickel Plated
Screw: M3,Steel(A3),Zinc Plated
Torque: 0.5N.m

额定电压: 400V
额定电流: 24A
使用线径: 22-14AWG 2.5mm²
塑件: 尼龙66 (UL 94V-0)
触点材料: 黄铜, 镀镍
螺丝材料: M3, A3钢, 镀锌
扭矩: 0.5N.m



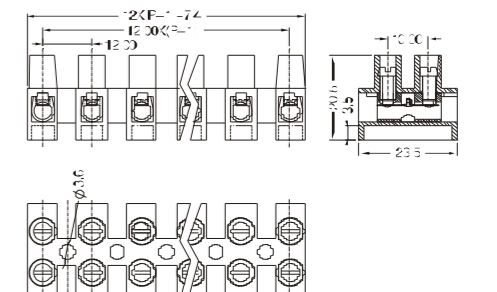
XY802HW

Poles: Any poles(2-12P)
Pitch: 12mm



Voltage Rating: 500V
Current Rating: 32A
Wire range: 22-14AWG 4.0mm²
Housing: PA66 (UL 94V-0)
Terminal Block: Brass,Nickel Plated
Screw: M3.5,Steel(A3),Zinc Plated
Torque: 0.6N.m

额定电压: 500V
额定电流: 32A
使用线径: 22-14AWG 4.0mm²
塑件: 尼龙66 (UL 94V-0)
触点材料: 黄铜, 镀镍
螺丝材料: M3.5, A3钢, 镀锌
扭矩: 0.6N.m



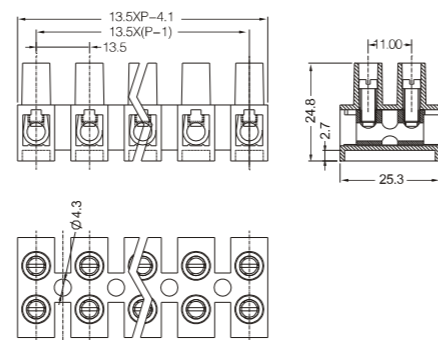
XY803

Poles: Any poles(2-12P)
Pitch: 13.5mm



Voltage Rating: 500V
Current Rating: 76A
Wire range: 24-10AWG 16.0mm²
Housing: PA66 (UL 94V-0)
Terminal Block: Brass,Nickel Plated
Screw: M4,Steel(A3),Zinc Plated
Torque: 0.8N.m

额定电压: 500V
额定电流: 76A
使用线径: 24-10AWG 16.0mm²
塑件: 尼龙66 (UL 94V-0)
触点材料: 黄铜, 镀镍
螺丝材料: M4, A3钢, 镀锌
扭矩: 0.8N.m



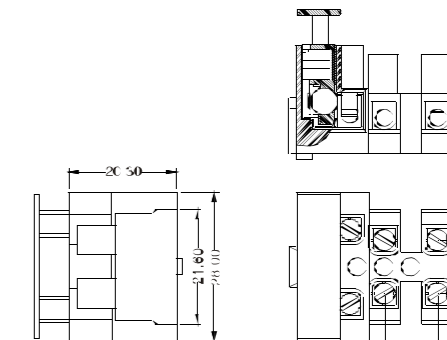
XY806

Poles: 1P/2P/3P/4P/5P
Pitch: 10mm



Voltage Rating: 250V
Current Rating: 2.5A
Wire range: 18-14AWG 2.5mm²
Housing: PA66 (UL 94V-0)
Terminal Block: Brass,Nickel Plated
Screw: M3,Steel(A3),Zinc Plated
Torque: 0.5N.m

额定电压: 250V
额定电流: 2.5A
使用线径: 18-14AWG 2.5mm²
塑件: 尼龙66 (UL 94V-0)
触点材料: 黄铜, 镀镍
螺丝材料: M3, A3钢, 镀锌
扭矩: 0.5N.m



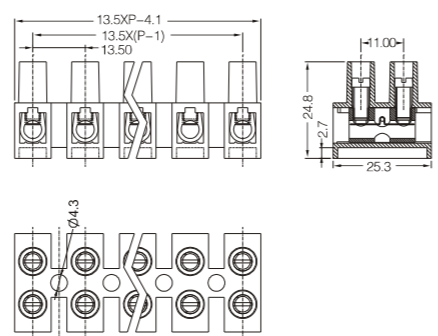
XY803W

Poles: Any poles(2-12P)
Pitch: 13.5mm



Voltage Rating: 500V
Current Rating: 41A
Wire range: 22-14AWG 6.0mm²
Housing: PA66 (UL 94V-0)
Terminal Block: Brass,Nickel Plated
Screw: M4,Steel(A3),Zinc Plated
Torque: 0.8N.m

额定电压: 500V
额定电流: 41A
使用线径: 22-14AWG 6.0mm²
塑件: 尼龙66 (UL 94V-0)
触点材料: 黄铜, 镀镍
螺丝材料: M4, A3钢, 镀锌
扭矩: 0.8N.m

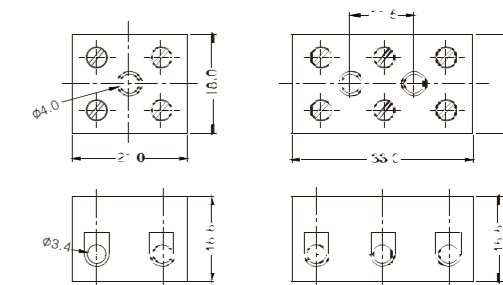


XY808A



Voltage Rating: 400V
Current Rating: 32A
Wire range: 4mm²
Housing: chinaware
Terminal Block: Brass,Nickel Plated
Screw: M3,Steel(A3),Zinc Plated
Torque: 0.5N.m

额定电压: 400V
额定电流: 32A
使用线径: 4mm²
塑件: 陶瓷
触点材料: 黄铜, 镀镍
螺丝材料: M3, A3钢, 镀锌
扭矩: 0.5N.m



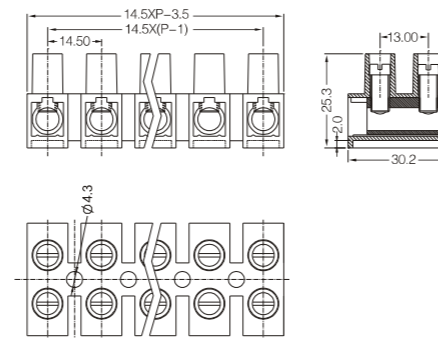
XY804

Poles: Any poles(2-12P)
Pitch: 14.5mm



Voltage Rating: 500V
Current Rating: 76A
Wire range: 24-10AWG 16.0mm²
Housing: PA66 (UL 94V-0)
Terminal Block: Brass,Nickel Plated
Screw: M5,Steel(A3),Zinc Plated
Torque: 0.8N.m

额定电压: 500V
额定电流: 76A
使用线径: 24-10AWG 16.0mm²
塑件: 尼龙66 (UL 94V-0)
触点材料: 黄铜, 镀镍
螺丝材料: M5, A3钢, 镀锌
扭矩: 0.8N.m

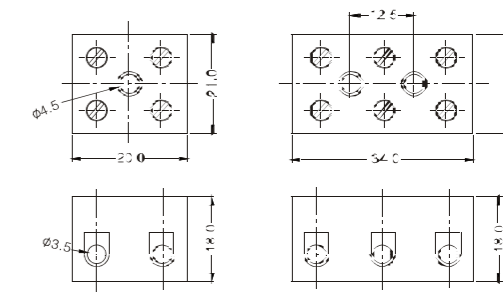


XY808B



Voltage Rating: 400V
Current Rating: 41A
Wire range: 6mm²
Housing: chinaware
Terminal Block: Brass,Nickel Plated
Screw: M3,Steel(A3),Zinc Plated
Torque: 0.5N.m

额定电压: 400V
额定电流: 41A
使用线径: 6mm²
塑件: 陶瓷
触点材料: 黄铜, 镀镍
螺丝材料: M3, A3钢, 镀锌
扭矩: 0.5N.m



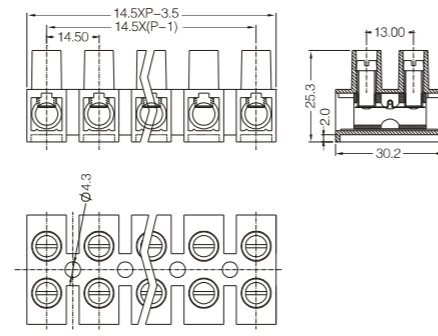
XY804W

Poles: Any poles(2-12P)
Pitch: 14.5mm



Voltage Rating: 500V
Current Rating: 41A
Wire range: 22-14AWG 10.0mm²
Housing: PA66 (UL 94V-0)
Terminal Block: Brass,Nickel Plated
Screw: M5,Steel(A3),Zinc Plated
Torque: 0.8N.m

额定电压: 500V
额定电流: 41A
使用线径: 22-14AWG 10.0mm²
塑件: 尼龙66 (UL 94V-0)
触点材料: 黄铜, 镀镍
螺丝材料: M5, A3钢, 镀锌
扭矩: 0.8N.m

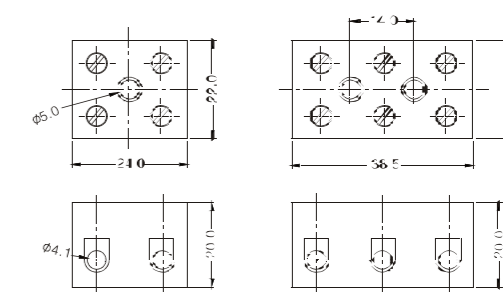


XY808C



Voltage Rating: 400V
Current Rating: 57A
Wire range: 10mm²
Housing: chinaware
Terminal Block: Brass,Nickel Plated
Screw: M3.5,Steel(A3),Zinc Plated
Torque: 0.8N.m

额定电压: 400V
额定电流: 57A
使用线径: 10mm²
塑件: 陶瓷
触点材料: 黄铜, 镀镍
螺丝材料: M3.5, A3钢, 镀锌
扭矩: 0.8N.m



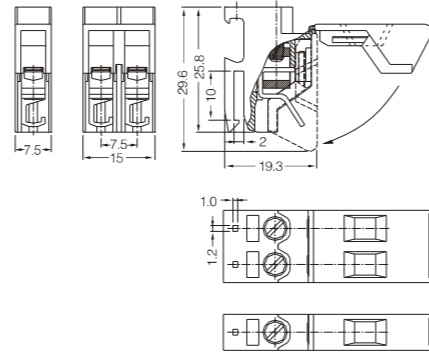
XY260

Poles: 1P/2P
Pitch: 7.5mm



Voltage Rating: 750V
Current Rating: 16A
Wire range: 24-10AWG 4mm²
Housing: PA66(UL 94V-0)
Clamp: Brass, Tin Plated
Wire Cage: Brass, Nickel Plated
Screw: M3.5, Steel(A3), Zinc Plated
Torque: 0.6N.m

额定电压: 750V
额定电流: 16A
使用线径: 24-10AWG 4mm²
塑件: 尼龙66 (UL 94V-0)
触点材料: 黄铜, 镀锡
接触保护材料: 黄铜, 镀锡
螺丝材料: M3.5, A3钢, 镀锌
扭矩: 0.6N.m



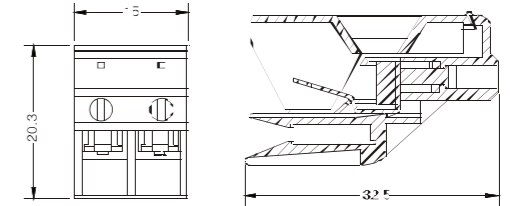
XY264

Poles: 1P/2P/3P
Pitch: 7.5mm



Voltage Rating: 600V
Current Rating: 20A
Wire range: 24-10AWG 4mm²
Housing: PA66 (UL 94V-0)
Terminal Block: Brass, Tin Plated
Screw: M3, Steel(A3), Zinc Plated
Torque: 0.5N.m

额定电压: 600V
额定电流: 20A
使用线径: 24-10AWG 4mm²
塑件: 尼龙66 (UL 94V-0)
触点材料: 黄铜, 镀锡
螺丝材料: M3, A3钢, 镀锌
扭矩: 0.5N.m



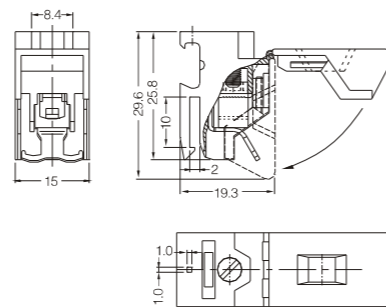
XY261

Poles: 1P
Pitch: 15mm



Voltage Rating: 750V
Current Rating: 16A
Wire range: 24-10AWG 6mm²
Housing: PA66(UL 94V-0)
Clamp: Brass, Tin Plated
Wire Cage: Brass, Nickel Plated
Screw: M4, Steel(A3), Zinc Plated
Torque: 0.8N.m

额定电压: 750V
额定电流: 16A
使用线径: 24-10AWG 6mm²
塑件: 尼龙66 (UL 94V-0)
触点材料: 黄铜, 镀锡
接触保护材料: 黄铜, 镀锡
螺丝材料: M4, A3钢, 镀锌
扭矩: 0.8N.m



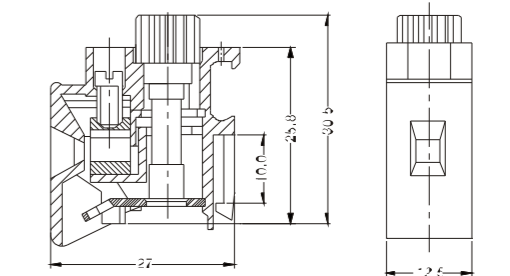
XY265

Poles: 1P
Pitch: 12.5mm



Voltage Rating: 250V
Current Rating: 10A
Wire range: 24-10AWG 4mm²
Housing: PA66 (UL 94V-0)
Terminal Block: Brass, Tin Plated
Screw: M3.5, Steel(A3), Zinc Plated
Torque: 0.8N.m

额定电压: 250V
额定电流: 10A
使用线径: 24-10AWG 4mm²
塑件: 尼龙66 (UL 94V-0)
触点材料: 黄铜, 镀锡
螺丝材料: M3.5, A3钢, 镀锌
扭矩: 0.8N.m



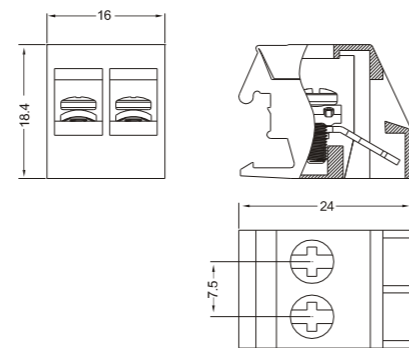
XY262

Poles: 2P
Pitch: 7.5mm



Voltage Rating: 750V
Current Rating: 16A
Wire range: 24-10AWG 4mm²
Housing: PA66(UL 94V-0)
Clamp: Brass, Tin Plated
Screw: M3.0, Steel(A3), Zinc Plated
Torque: 0.5N.m

额定电压: 750V
额定电流: 16A
使用线径: 24-10AWG 4mm²
塑件: 尼龙66 (UL 94V-0)
触点材料: 黄铜, 镀锡
螺丝材料: M3.0, A3钢, 镀锌
扭矩: 0.5N.m



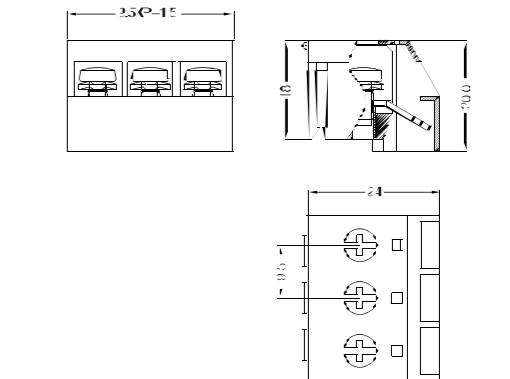
XY266

Poles: 2P/3P
Pitch: 9.5mm



Voltage Rating: 750V
Current Rating: 16A
Wire range: 24-10AWG 5mm²
Housing: PA66(UL 94V-0)
Clamp: Brass, Tin Plated
Screw: M3.5, Steel(A3), Zinc Plated
Torque: 0.6N.m

额定电压: 750V
额定电流: 16A
使用线径: 24-10AWG 5mm²
塑件: 尼龙66 (UL 94V-0)
触点材料: 黄铜, 镀锡
螺丝材料: M3.5, A3钢, 镀锌
扭矩: 0.6N.m



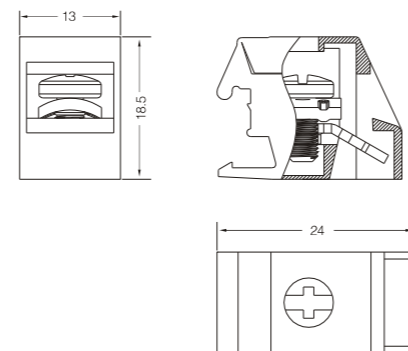
XY263

Poles: 1P
Pitch: 13mm



Voltage Rating: 750V
Current Rating: 16A
Wire range: 24-10AWG 6mm²
Housing: PA66(UL 94V-0)
Clamp: Brass, Tin Plated
Screw: M4.0, Steel(A3), Zinc Plated
Torque: 0.8N.m

额定电压: 750V
额定电流: 16A
使用线径: 24-10AWG 6mm²
塑件: 尼龙66 (UL 94V-0)
触点材料: 黄铜, 镀锡
螺丝材料: M4.0, A3钢, 镀锌
扭矩: 0.8N.m



XYTZB4



XYURTK/S



Voltage Rating: 500V
Current Rating: 57A
Rigid Conductor: 0.5-10mm²
Flexible Conductor: 0.5-6mm²
Screw/Torque: M4/1.2-1.5N.m
Housing: PA66(UL 94V-0)
Depth/Width: 8.2/72mm
Height(DIN35:7.5/DIN35:15/DIN32): 51.5/59/56mm
Zack Strip: ZB 8

额定电压: 500V
额定电流: 57A
刚性导线: 0.5-10mm²
柔性导线: 0.5-6mm²
螺丝/扭矩: M4/1.2-1.5N.m
塑件材料: PA66(UL 94V-0)
厚度/宽度: 8.2/72mm
高度(DIN35:7.5/DIN35:15/DIN32): 51.5/59/56mm
标记条: ZB 8

XYUK 5



Voltage Rating: 800V
Current Rating: 32A
Rated surge Voltage/Contamination Class: 8KV/3
Wire range: 24-10AWG 4mm²
Stripping length: 8mm
Screw/Torque: M3/0.6-0.8N.m
Housing: PA66(UL 94V-0)
Depth/Width/Plate Depth: 6.2/42.5/1.8mm
Height(DIN35:7.5/DIN35:15/DIN32): 47/54.5/52mm
Zack Strip: ZB 6

额定电压: 800V
额定电流: 32A
额定冲击电压/污染等级: 8KV/3
使用线径: 24-10AWG 4mm²
剥线长度: 8mm
螺丝/扭矩: M3/0.6-0.8N.m
塑件材料: PA66(UL 94V-0)
厚度/宽度/端板厚度: 6.2/42.5/1.8mm
高度(DIN35:7.5/DIN35:15/DIN32): 47/54.5/52mm
标记条: ZB 6

XYUK 1.5



Voltage Rating: 500V
Current Rating: 17.5A
Rated surge Voltage/Contamination Class: 6KV/3
Wire range: 26-16AWG 1.5mm²
Stripping length: 7mm
Screw/Torque: M2/0.22-0.25N.m
Housing: PA66(UL 94V-0)
Depth/Width/Plate Depth: 4.2/42.5/1.5mm
Height(DIN35:7.5/DIN35:15/DIN32): 42/49.5/47mm
Zack Strip: ZB 4

额定电压: 500V
额定电流: 17.5A
额定冲击电压/污染等级: 6KV/3
使用线径: 26-16AWG 1.5mm²
剥线长度: 7mm
螺丝/扭矩: M2/0.22-0.25N.m
塑件材料: PA66(UL 94V-0)
厚度/宽度/端板厚度: 4.2/42.5/1.5mm
高度(DIN35:7.5/DIN35:15/DIN32): 42/49.5/47mm
标记条: ZB 4

XYUK 6



Voltage Rating: 800V
Current Rating: 41A
Rated surge Voltage/Contamination Class: 8KV/3
Wire range: 24-8AWG 6mm²
Stripping length: 10mm
Screw/Torque: M4/1.2-1.5N.m
Housing: PA66(UL 94V-0)
Depth/Width/Plate Depth: 8.2/42.5/1.8mm
Height(DIN35:7.5/DIN35:15/DIN32): 47/54.5/52mm
Zack Strip: ZB 8

额定电压: 800V
额定电流: 41A
额定冲击电压/污染等级: 8KV/3
使用线径: 24-8AWG 6mm²
剥线长度: 10mm
螺丝/扭矩: M4/1.2-1.5N.m
塑件材料: PA66(UL 94V-0)
厚度/宽度/端板厚度: 8.2/42.5/1.8mm
高度(DIN35:7.5/DIN35:15/DIN32): 47/54.5/52mm
标记条: ZB 8

XYUK 2.5B



Voltage Rating: 690V
Current Rating: 24A
Rated surge Voltage/Contamination Class: 8KV/3
Wire range: 24-12AWG 2.5mm²
Stripping length: 7mm
Screw/Torque: M3/0.6-0.8N.m
Housing: PA66(UL 94V-0)
Depth/Width/Plate Depth: 6.2/42.5/1.5mm
Height(DIN35:7.5/DIN35:15/DIN32): 42/49.5/47mm
Zack Strip: ZB 6

额定电压: 690V
额定电流: 24A
额定冲击电压/污染等级: 8KV/3
使用线径: 24-12AWG 2.5mm²
剥线长度: 7mm
螺丝/扭矩: M3/0.6-0.8N.m
塑件材料: PA66(UL 94V-0)
厚度/宽度/端板厚度: 6.2/42.5/1.5mm
高度(DIN35:7.5/DIN35:15/DIN32): 42/49.5/47mm
标记条: ZB 6

XYUK 10



Voltage Rating: 800V
Current Rating: 57A
Rated surge Voltage/Contamination Class: 8KV/3
Wire range: 20-6AWG 10mm²
Stripping length: 10mm
Screw/Torque: M4/1.2-1.5N.m
Housing: PA66(UL 94V-0)
Depth/Width/Plate Depth: 10.2/42.5/1.8mm
Height(DIN35:7.5/DIN35:15/DIN32): 47/54.5/52mm
Zack Strip: ZB 10

额定电压: 800V
额定电流: 57A
额定冲击电压/污染等级: 8KV/3
使用线径: 20-6AWG 10mm²
剥线长度: 10mm
螺丝/扭矩: M4/1.2-1.5N.m
塑件材料: PA66(UL 94V-0)
厚度/宽度/端板厚度: 10.2/42.5/1.8mm
高度(DIN35:7.5/DIN35:15/DIN32): 47/54.5/52mm
标记条: ZB 10

XYUK 3



Voltage Rating: 800V
Current Rating: 24A
Rated surge Voltage/Contamination Class: 8KV/3
Wire range: 24-12AWG 2.5mm²
Stripping length: 8mm
Screw/Torque: M3/0.6-0.8N.m
Housing: PA66(UL 94V-0)
Depth/Width/Plate Depth: 5.2/42.5/1.8mm
Height(DIN35:7.5/DIN35:15/DIN32): 47/54.5/52mm
Zack Strip: ZB 5

额定电压: 800V
额定电流: 24A
额定冲击电压/污染等级: 8KV/3
使用线径: 24-12AWG 2.5mm²
剥线长度: 8mm
螺丝/扭矩: M3/0.6-0.8N.m
塑件材料: PA66(UL 94V-0)
厚度/宽度/端板厚度: 5.2/42.5/1.8mm
高度(DIN35:7.5/DIN35:15/DIN32): 47/54.5/52mm
标记条: ZB 5

XYUK 16



Voltage Rating: 800V
Current Rating: 76A
Rated surge Voltage/Contamination Class: 8KV/3
Wire range: 12-4AWG 16mm²
Stripping length: 11mm
Screw/Torque: M4/1.2-1.5N.m
Housing: PA66(UL 94V-0)
Depth/Width/Plate Depth: 12.2/42.5/1.5mm
Height(DIN35:7.5/DIN35:15/DIN32): 54/61.5/59mm
Zack Strip: ZB 10

额定电压: 800V
额定电流: 76A
额定冲击电压/污染等级: 8KV/3
使用线径: 12-4AWG 16mm²
剥线长度: 11mm
螺丝/扭矩: M4/1.2-1.5N.m
塑件材料: PA66(UL 94V-0)
厚度/宽度/端板厚度: 12.2/42.5/1.5mm
高度(DIN35:7.5/DIN35:15/DIN32): 54/61.5/59mm
标记条: ZB 10

XYUK 35



Voltage Rating: 1000V
Current Rating: 125A
Rated surge Voltage/Contamination Class: 8KV/3
Wire range: 18-2AWG 35mm²
Stripping length: 16mm
Screw/Torque: M6/3.0-3.5N.m
Housing: PA66(UL 94V-0)
Depth/Width: 15.2/50mm
Height(DIN35:7.5/DIN35:15/DIN32): 62/69.5/67mm
Zack Strip: ZB 10

额定电压: 1000V
额定电流: 125A
额定冲击电压/污染等级: 8KV/3
使用线径: 18-2AWG 35mm²
剥线长度: 16mm
螺丝/扭矩: M6/3.0-3.5N.m
塑件材料: PA66(UL 94V-0)
厚度/宽度: 15.2/50mm
高度(DIN35:7.5/DIN35:15/DIN32): 62/69.5/67mm
标记条: ZB 10

XYUSLKG 3



Rated surge Voltage/Contamination Class: 8KV/3
Wire range: 24-12AWG 2.5mm²
Stripping length: 8mm
Screw/Torque: M3/0.6-0.8N.m
Housing: PA66(UL 94V-0)
Depth/Width: 5.2/42.5mm
Height(DIN35:7.5/DIN35:15/DIN32): 47/54.5/52mm
Zack Strip: ZB 5

额定冲击电压/污染等级: 8KV/3
使用线径: 24-12AWG 2.5mm²
剥线长度: 8mm
螺丝扭矩: M3 0.6-0.8N.m
塑件材料: PA66(UL 94V-0)
厚度/宽度: 5.2/42.5mm
高度(DIN35:7.5/DIN35:15/DIN32): 47/54.5/52mm
标记条: ZB 5

XYUK 50



Voltage Rating: 1000V
Current Rating: 150A
Rated surge Voltage/Contamination Class: 8KV/3
Wire range: 6-0AWG 50mm²
Stripping length: 24mm
Screw/Torque: M6/5.0-6.0N.m
Housing: PA66(UL 94V-0)
Depth/Width: 20/70.5mm
Height(DIN35:15/DIN32): 83.5/81.5mm
Zack Strip: ZB 10

额定电压: 1000V
额定电流: 150A
额定冲击电压/污染等级: 8KV/3
使用线径: 6-0AWG 50mm²
剥线长度: 24mm
螺丝/扭矩: M6/5.0-6.0N.m
塑件材料: PA66(UL 94V-0)
厚度/宽度: 20/70.5mm
高度(DIN35:15/DIN32): 83.5/81.5mm
标记条: ZB 10

XYUSLKG 5



Rated surge Voltage/Contamination Class: 8KV/3
Wire range: 24-10AWG 4mm²
Stripping length: 8mm
Screw/Torque: M3/0.6-0.8N.m
Housing: PA66(UL 94V-0)
Depth/Width: 6.2/42.5mm
Height(DIN35:7.5/DIN35:15/DIN32): 47/54.5/52mm
Zack Strip: ZB 6

额定冲击电压/污染等级: 8KV/3
使用线径: 24-10AWG 4mm²
剥线长度: 8mm
螺丝扭矩: M3 0.6-0.8N.m
塑件材料: PA66(UL 94V-0)
厚度/宽度: 6.2/42.5mm
高度(DIN35:7.5/DIN35:15/DIN32): 47/54.5/52mm
标记条: ZB 6

XYUSLKG 1.5



Rated surge Voltage/Contamination Class: 6KV/3
Wire range: 26-16AWG 1.5mm²
Stripping length: 7mm
Screw/Torque: M2/0.22-0.25N.m
Housing: PA66(UL 94V-0)
Depth/Width: 4.2/42.5mm
Height(DIN35:7.5/DIN35:15/DIN32): 42/49.5/47mm
Zack Strip: ZB 4

额定冲击电压/污染等级: 6KV/3
使用线径: 26-16AWG 1.5mm²
剥线长度: 7mm
螺丝/扭矩: M2/0.22-0.25N.m
塑件材料: PA66(UL 94V-0)
厚度/宽度: 4.2/42.5mm
高度(DIN35:7.5/DIN35:15/DIN32): 42/49.5/47mm
标记条: ZB 4

XYUSLKG 6



Rated surge Voltage/Contamination Class: 8KV/3
Wire range: 24-8AWG 6mm²
Stripping length: 10mm
Screw/Torque: M4/1.2-1.5N.m
Housing: PA66(UL 94V-0)
Depth/Width: 8.2/42.5mm
Height(DIN35:7.5/DIN35:15/DIN32): 47/54.5/52mm
Zack Strip: ZB 8

额定冲击电压/污染等级: 8KV/3
使用线径: 24-8AWG 6mm²
剥线长度: 10mm
螺丝扭矩: M4 1.2-1.5N.m
塑件材料: PA66(UL 94V-0)
厚度/宽度: 8.2/42.5mm
高度(DIN35:7.5/DIN35:15/DIN32): 47/54.5/52mm
标记条: ZB 8

XYUSLKG 2.5B



Rated surge Voltage/Contamination Class: 8KV/3
Wire range: 24-12AWG 2.5mm²
Stripping length: 7mm
Screw/Torque: M3/0.6-0.8N.m
Housing: PA66(UL 94V-0)
Depth/Width: 6.2/42.5mm
Height(DIN35:7.5/DIN35:15/DIN32): 42/49.5/47mm
Zack Strip: ZB 6

额定冲击电压/污染等级: 8KV/3
使用线径: 24-12AWG 2.5mm²
剥线长度: 7mm
螺丝/扭矩: M3/0.6-0.8N.m
塑件材料: PA66(UL 94V-0)
厚度/宽度: 6.2/42.5mm
高度(DIN35:7.5/DIN35:15/DIN32): 42/49.5/47mm
标记条: ZB 6

XYUSLKG 10



Rated surge Voltage/Contamination Class: 8KV/3
Wire range: 20-6AWG 10mm²
Stripping length: 10mm
Screw/Torque: M4/1.2-1.5N.m
Housing: PA66(UL 94V-0)
Depth/Width: 10.2/42.5mm
Height(DIN35:7.5/DIN35:15/DIN32): 47/54.5/52mm
Zack Strip: ZB 10

额定冲击电压/污染等级: 8KV/3
使用线径: 20-6AWG 10mm²
剥线长度: 10mm
螺丝扭矩: M4 1.2-1.5N.m
塑件材料: PA66(UL 94V-0)
厚度/宽度: 10.2/42.5mm
高度(DIN35:7.5/DIN35:15/DIN32): 47/54.5/52mm
标记条: ZB 10

XYUSLKG 16



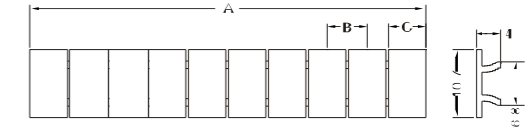
Rated surge Voltage/Contamination Class: 8KV/3
 Wire range: 12-4AWG 16mm²
 Stripping length: 11mm
 Screw/Torque: M4/1.2-1.5N.m
 Housing: PA66(UL 94V-0)
 Depth/Width: 12.2/42.5mm
 Height(DIN35: 7.5/DIN35:15/DIN32): 54/61.5/59mm
 Zack Strip: ZB 10

额定冲击电压/污染等级: 8KV/3
 使用线径: 12-4AWG 16mm²
 剥线长度: 11mm
 螺丝/扭矩: M4/1.2-1.5N.m
 塑件材料: PA66(UL 94V-0)
 厚度/宽度: 12.2/42.5mm
 高度(DIN35:7.5/DIN35:15/DIN32): 54/61.5/59mm
 标记条: ZB 10

ZB4,ZB6,ZB8,ZB10



TYPE	UNIT(mm)		
	A	B	C
Zb4	41.90	4.25	3.75
Zb5	51.80	5.25	4.55
Zb6	61.80	6.25	5.55
Zb8	81.25	8.20	7.45
Zb10	102.0	10.30	9.30



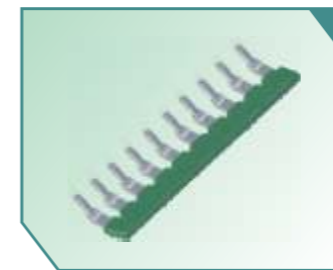
XYUSLKG 35



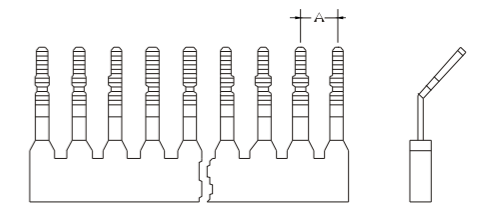
Rated surge Voltage/Contamination Class: 8KV/3
 Wire range: 18-2AWG 35mm²
 Stripping length: 16mm
 Screw/Torque: M6/3.0-3.5N.m
 Housing: PA66(UL 94V-0)
 Depth/Width: 15.2/50mm
 Height(DIN35: 7.5/DIN35:15/DIN32): 62/69.5/67mm
 Zack Strip: ZB 10

额定冲击电压/污染等级: 8KV/3
 使用线径: 18-2AWG 35mm²
 剥线长度: 16mm
 螺丝/扭矩: M6/3.0-3.5N.m
 塑件材料: PA66(UL 94V-0)
 厚度/宽度: 15.2/50mm
 高度(DIN35:7.5/DIN35:15/DIN32): 62/69.5/67mm
 标记条: ZB 10

EB4,EB5,EB6,EB8,EB10



TYPE	A(mm)
Eb5	5.20
Eb6	6.20
Eb8	8.20
Eb10	10.20
Eb12	12.20



XYUSLKG 50



Rated surge Voltage/Contamination Class: 8KV/3
 Wire range: 6-0AWG 50mm²
 Stripping length: 24mm
 Screw/Torque: M6/5.0-6.0N.m
 Housing: PA66(UL 94V-0)
 Depth/Width: 20/70.5mm
 Height(DIN35:15/DIN32): 83.5/81.5mm
 Zack Strip: ZB 10

额定冲击电压/污染等级: 8KV/3
 使用线径: 6-0AWG 50mm²
 剥线长度: 24mm
 螺丝/扭矩: M6/5.0-6.0N.m
 塑件材料: PA66(UL 94V-0)
 厚度/宽度: 20/70.5mm
 高度(DIN35:15/DIN32): 83.5/81.5mm
 标记条: ZB 10

DSBJ5,DSBJ6,DSBJ8,DSBJ10,DSBJ12

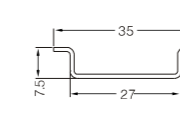


XYD-UK1.5/2.5,XYD-UK3/10,XYD-UK16

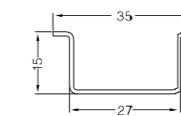


	Thickness(mm)
XYD-UK1.5/2.5	1.5
XYD-UK3/10	1.8
XYD-UK16	1.5

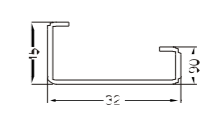
XYNS35/7.5,XYNS35/15,XYNS32



XYNS35/7.5



XYNS35/15



XYNS32