

pH / Redox measurement *DipFit W CPA 530*

Suspended assembly with bayonet lock-mounted electrode holder Installation in DN 50 adapters



The DipFit W family of assemblies is universally suitable for use in water and waste water treatment systems.

The bayonet mounting method used for the electrode holder not only allows a combined pH or Redox electrode to be held; it also allows you to install a conductivity sensor (Smartec).

Benefits at a glance

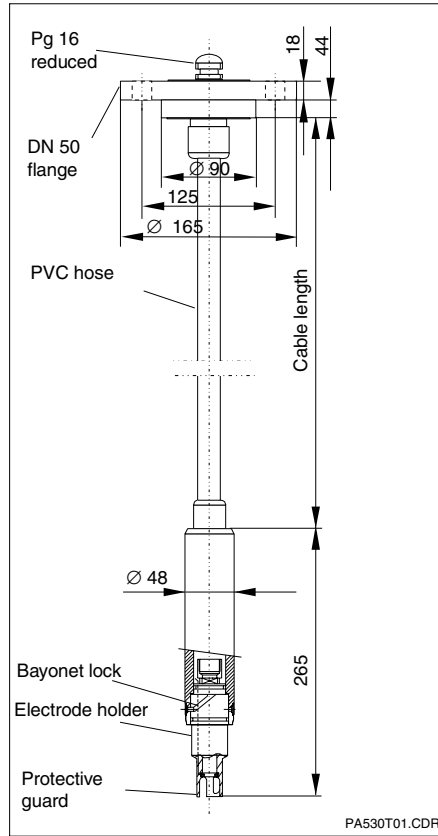
- Assembly to hold a combined pH or Redox electrode
- Dirt-resistant bayonet lock with double O-ring seal
- Electrode holder removal without tools
- Suitable for standard combination electrodes with Pg 13.5 thread
- Flange with pressure-water-tight cable gland
- Ingress protection IP 68
- PVC hose provides additional protection for measuring cable
- Electrode can be replaced without detaching the pressure-tight cable gland
- Can be used at depths of up to 10 m
- Available in three different mounting versions:
 - DN 50 flange, PN 10
 - Union nut and DN 50 flange
 - Oval flange and mounting plate

Areas of application

- In conduits, ducts or tall tanks
- Wherever the clearance between container and ceiling precludes the use of a long, rigid assembly
- Whenever the assembly is not directly accessible

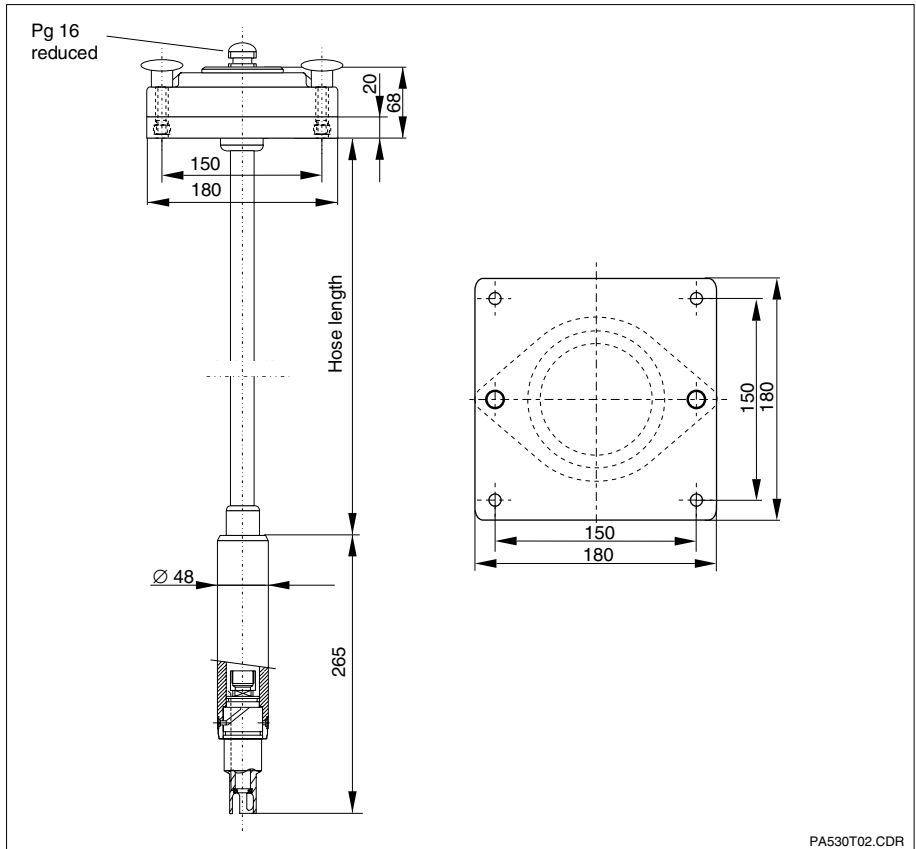
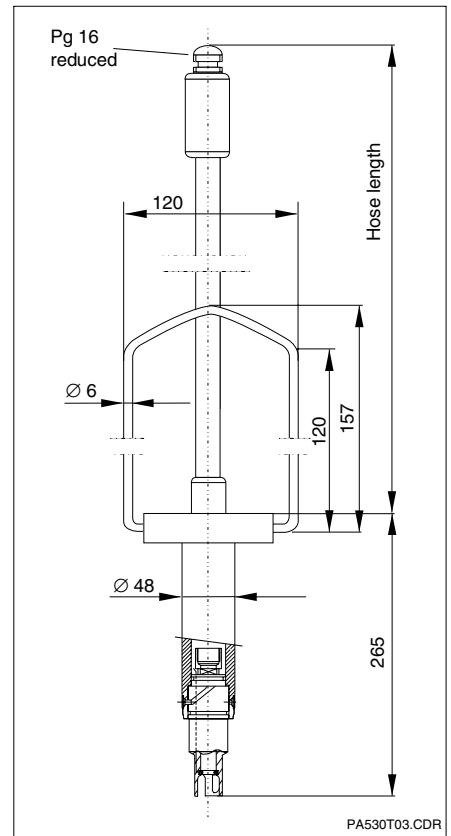


Installation and dimensions



left:
CPA 530 with flange

right:
CPA 530 with
mounting bracket



left:
CPA 530 mit
oval flange

right:
mounting plate

Technical data

General data	Manufacturer	Endress+Hauser
	Designation	DipFit W CPA 530
Mounting method	Flange	DN 50, PN 10
	Union nut with flange	DN 50, PN 10
	Oval flange with mounting plate	
	Mounting bracket	
Materials in contact with medium	Immersion tube (bayonet with holder)	PVC, titanium
	Electrode holder	PPS
	Flange, oval plate	PVC, UP-GF
	Protective hose	PVC
	O-rings	EPDM, Viton
	Potential matching pin	Hastelloy C4
Operating data	Operating pressure and temperature	max. 3 bar (20 °C)
	with oval flange and mounting plate	unpressurized up to + 50 °C
Mechanical data	Hose length	max 10 m
	Required installation diameter	DN 50
	Weight	approx. 2 up to 2,5 kg

Accessories

- ❑ Electrodes
 - pH combination electrode measuring range pH 1 to pH 12, up to 6 bar, 0 ... +80 °C
order-no.: CPS 11-1 AA 2 GSA
 - pH combination electrode above but with integrated temperature sensor Pt 100
order-no.: CPS 11-2 AA 2 TSA
 - Redox combination electrode with platinum surface, measuring range up to 6 bar, 0 ... +130 °C
order-no.: CPS 12-0 PA 2 GSA
- ❑ Measuring cable
 - CPK 1: for pH or Redox combined electrodes
 - CPK 7: for pH combined electrodes with integrated temperature sensor Pt 100
- ❑ Mounting devices for basin rim attachment
order-no.: 50066561
- ❑ Applications with a built-in agitator require a support pipe to stabilize the freely suspended assembly (min. DN 50).

How to order

DipFit W CPA 530

Length of PVC hose

- 0 5 m
- 1 1 - 10 m (please indicate below)

O-Ring / assembly material

- 11 EPDM / PVC
- 21 Viton / PVC

Mounting method

- 1 DN 50 flange
- 3 Oval flange an mounting plate
- 5 Suspension bracket, material: stainless steel 1.4571

CPA530- complete order code

Endress+Hauser GmbH+Co.
- Instruments International -

P.O. Box 2222
D-79574 Weil am Rhein
Tel. (07621) 975 - 02
Fax (07621) 975345

Endress + Hauser
Nothing beats know-how

