

Assembly for pH/Redox Measurement *DipFit W CPA 111*

Immersion and process assembly for open and closed tanks with DN 100 flange



DipFit W CPA 111 with DN 100 flange



DipFit W CPA 111 with adjustable flange

Areas of application

The immersion and process assembly DipFit W CPA 111 is intended for universal use in waste water / water treatment as well as process applications. It is suitable for use with elevated pressures of up to 4 bar. The bayonet mounting method allows the electrodes to be removed and installed quickly and conveniently. The chemical electrode cleaning system Chemoclean can be integrated without the need to convert the assembly. A whole range of accessories is available: wet bucket, KCl reservoir, calibration cap, mounting frame, pendulum frame and adapter for adjustable flange.

Benefits at a glance

- Made of environmentally compatible polypropylene material
- Robust construction; can be used with pressures of up to 4 bar
- Flexible immersion depth thanks to adjustable flange; additional bayonet locking mechanism assures easy installation and removal of assembly
- Simple installation and removal of electrode holder due to bayonet lock mounting method
- Three electrode mounting positions for pH/redox and temperature sensors in standard length of 120 mm
- All accessories can be retrofitted without the need to convert the assembly.

Quality made by
Endress+Hauser



ISO 9001

Endress + Hauser

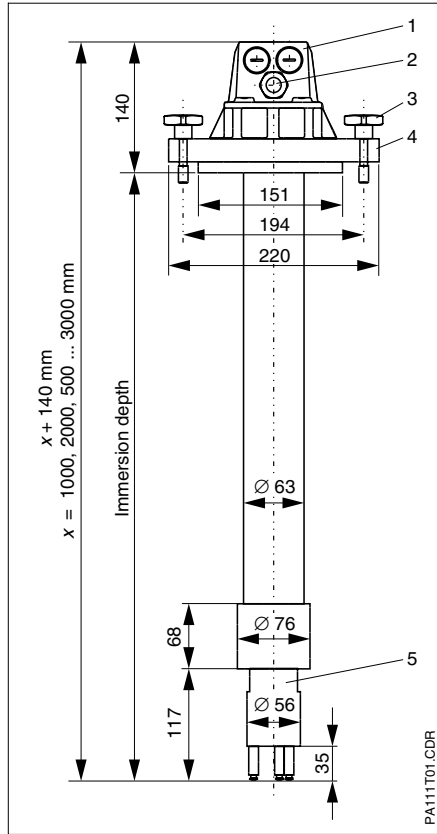
Nothing beats know-how



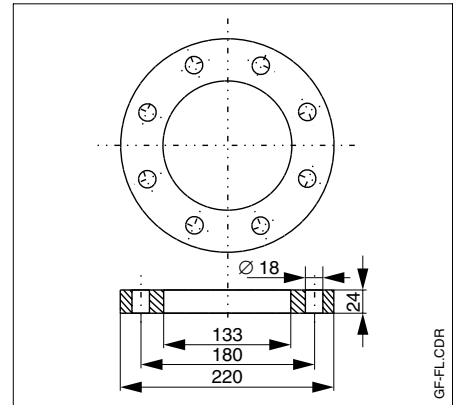
Types and mounting versions

left:
 DipFit W CPA 111
 Mounting versions A, C
 1 Assembly head
 2 Pg 13.5
 3 Star handle screws
 4 DN 100 flange
 5 Electrode holder

right:
 DN 100 flange for
 pressurized applications
 (max. 4 bar)
 Mounting version C

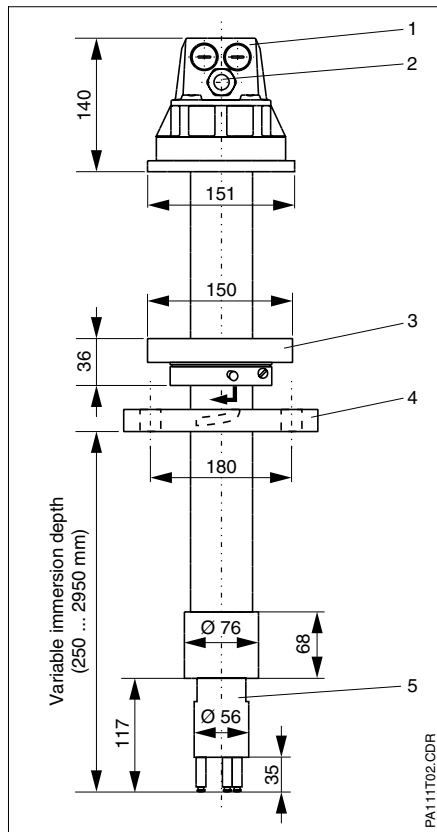


The assembly is mounted by means of a standard DN 100 flange (mounting version A). The assembly can be attached to a mounting frame by the additional captive star handle screws, allowing convenient installation on basin or channel walls. A special DN 100 pressurized flange (mounting version C) is used to install the assembly in closed tanks with pressures of up to 4 bar.

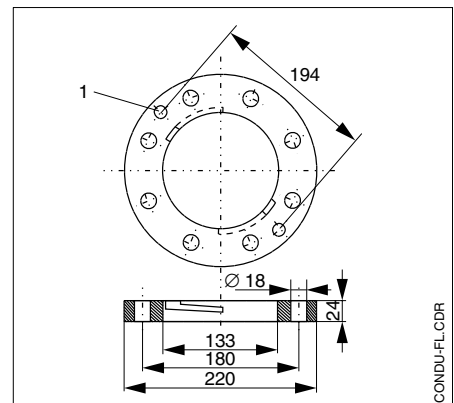


left:
 DipFit W CPA 111
 Mounting version B
 1 Assembly head
 2 Pg 13.5
 3 Adapter for adjustable flange
 4 DN 100 flange
 5 Electrode holder

right:
 DN 100 flange for
 mounting versions A, B
 1 Through hole for
 captive star handle
 screws with loss
 protection



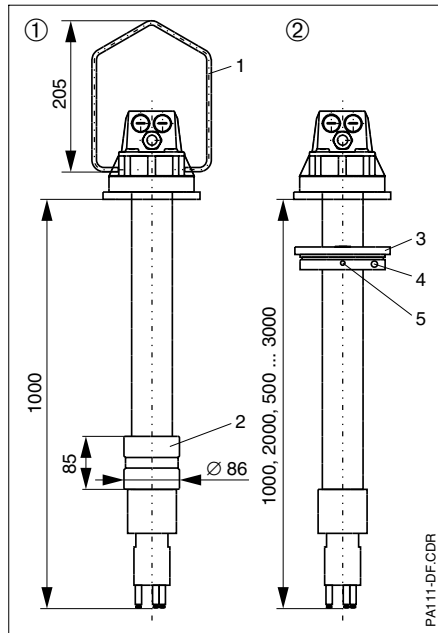
The adjustable flange (mounting version B) can be used to adapt the immersion depth to local conditions. The adapter for adjustable flange is firmly attached in the desired position on the immersion tube. The bayonet lock integrated within the flange allows easy installation and removal of the assembly without the need to dismantle the flange.



Types and mounting versions (continued)

DipFit W CPA 111

- ① Mounting version D
 - 1 Suspension bracket
 - 2 Weight (half-shells)
- ② Mounting version F
 - 3 Retaining ring (half-shells)
 - 4 Straining screws (2 pieces) for adjustable flange
 - 5 Drill hole M8 for screw



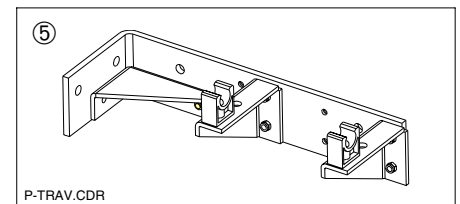
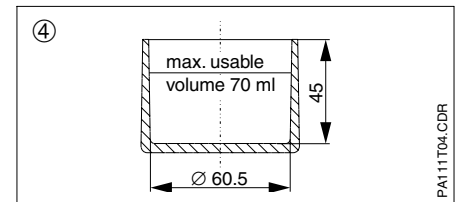
The suspended version of the DipFit W CPA 111 (mounting version D) can be installed in immersion tanks using assembly holder CYH 101. The assembly length is fixed to 1 m. The suspension bracket is made of stainless steel 1.4571. Different immersion depths are possible when used in conjunction with a suspension chain.

The DipFit W CPA 111 for pendulum frame mounting (mounting version F) is designed for pendulous suspension from the pendulum frame by the retaining ring.

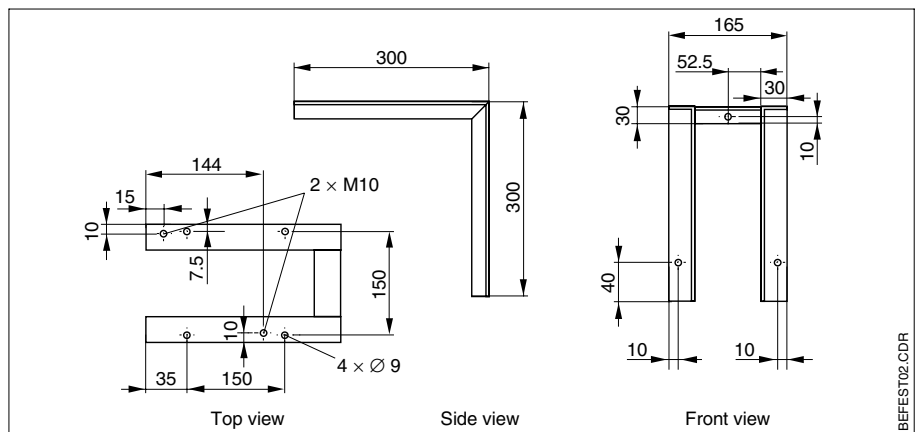
Accessories

- ❑ Spray head CPR 30 for Chemoclean cleaning; can be retrofitted, does not require conversion of assembly (see operating instructions CPA 111, no. 50066451)
- ❑ Wet bucket; can be used for installation in open channels, keeps electrodes wet at all times (order no. 50066569)
- ❑ Electrolyte vessel CPY 7 for supplying liquid-filled electrodes with KCl electrolyte; max. usable volume 200 ml (see operating instructions CPY 7, no. 50069155)
- ❑ Calibration cap for calibration of electrodes, easily installed (order no. 50066570)
- ❑ Mounting frame for installation on basin or channel walls; for mounting versions A and B (order no. 50066561)
- ❑ Pendulum frame for pendulous suspension of assembly (order no. 50080196)
- ❑ Adapter for adjustable flange to adjust immersion depth (order no. 50070514)

- ① Spray head CPR 30
Material: PP
- ② Elektrolyte vessel CPY 7
- ③ Wet bucket
Material: PP
- ④ Calibration cap
Material: PP
- ⑤ Pendulum frame
Material:
stainless steel 1.4301



Mounting frame
Material:
stainless steel 1.4301



Technical data

Mounting	
Version A	DN 100 flange, with additional captive star handle screws
Version B	DN 100 adjustable flange
Version C	DN 100 pressurized flange
Version D	suspension bracket; material: stainless steel 1.4571
Version F	for pendulum frame mounting

Materials in contact with medium	
Electrode holder	PP-GF 20
Immersion pipe	PP
Potential matching pin	stainless steel 1.4571
O-ring	EPDM

Additionally for mounting versions D, F:

Half-shells	grey cast iron, PVC-coated
Cable clamp	stainless steel 1.4401, plastic-coated

Operating pressure and temperature	
Mounting versions A, B, D, F	unpressurized, 80 °C
Mounting version C	4 bar at 20 °C, unpressurized at 80 °C

Measures and weight	
Cable glands	1 × Pg 13.5, 2 × Pg 16
Number of electrodes	max. 3
Electrode length	120 mm
Immersion length	standard: 1000, 2000 mm; special length: 500 ... 3000 mm
Required cross section	DN 100
Weight	approx. 4 kg

How to order

Immersion assembly DipFit W CPA 111

Length of assembly

- 0 1000 mm
- 1 2000 mm
- 2 special length (500 ... 3000 mm)
- 9 special version

Material

- 0 PP
- 9 special version

Mounting versions

- A DN 100 flange (unpressurized)
- B DN 100 adjustable flange (variable adjustment of immersion depth)
- C DN 100 pressurized flange (max. 4 bar)
- D suspension bracket; 1000 mm only
- F for pendulum frame mounting
- Y special version

CPA 111-

|

↓

|

↓

|

↓

complete order code

Endress+Hauser GmbH+Co.
- Instruments International -
 P.O. Box 2222
 D-79574 Weil am Rhein
 Tel. (07621) 975 - 02
 Fax (07621) 975345

Endress + Hauser
 Nothing beats know-how

